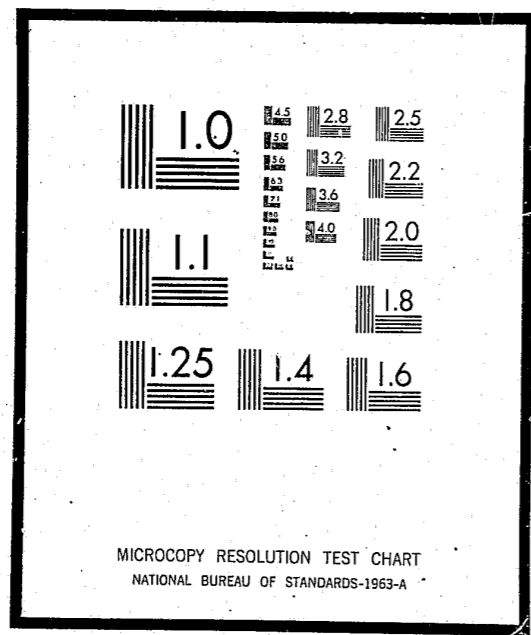


# NCJRS

This microfiche was produced from documents received for inclusion in the NCJRS data base. Since NCJRS cannot exercise control over the physical condition of the documents submitted, the individual frame quality will vary. The resolution chart on this frame may be used to evaluate the document quality.



Microfilming procedures used to create this fiche comply with the standards set forth in 41CFR 101-11.504

Points of view or opinions stated in this document are those of the author(s) and do not represent the official position or policies of the U.S. Department of Justice.

U.S. DEPARTMENT OF JUSTICE  
LAW ENFORCEMENT ASSISTANCE ADMINISTRATION  
NATIONAL CRIMINAL JUSTICE REFERENCE SERVICE  
WASHINGTON, D.C. 20531

Date filmed 2/18/76

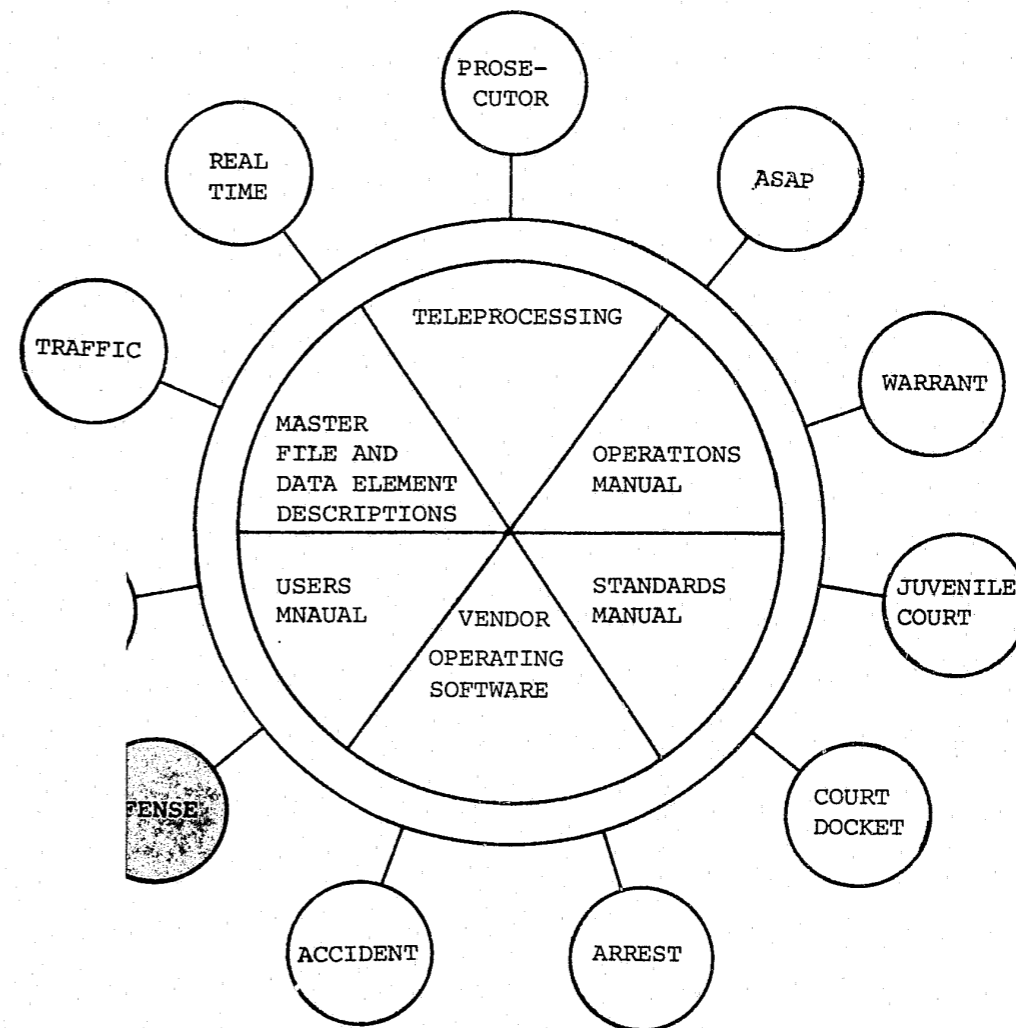
## PREFACE

This documentation is one volume of a complete set of documentation for ALERT II under DOS. The documentation is modularized in order to minimize duplication of information and facilitate revisions. This modularization requires a brief understanding of each of the volumes for effective use.

The overall system concept of ALERT encompasses the use of three main files, a Name Index File, a General Purpose Index File and Master Data File. These files are utilized by the sub-systems as required and are therefore program independent.

### ALERT II Documentation Relationships

The volume you are reading is represented by the shaded figure. The volumes contained in the large center circle serve all outlying sub-systems. The outlying sub-systems are independent of each other but are highly dependent on the center circle volumes.



012898

### Systems and Programming Volumes

The systems and programming documentation is divided into 12 separate volumes. Normally these volumes represent an application, such as "Traffic." Two volumes represent special functions or groupings of support programs. An example of generalized support functions is Teleprocessing, in that it contains most of the TPD's used by the applications.

The sub-system volumes are made up of:

<u>Sub-System Name</u>	<u>Brief Description</u>	<u>Program I.D.</u>
Teleprocessing	TPD's and routines for other sub-systems	RA
Real Time	Background support programs and report preparation	RB, CB
Warrant	A Law Enforcement system that contains warrants, wants and warning information	JX
Traffic	A traffic ticket system that records the names of traffic violators as well as data about traffic incidences	CD
Dispatch	An information system for analysis of manpower workload and calls for service	CE
Arrest	A system that records individual arrests and provides statistical and historical information	CV
Accident	A vehicular accident system containing statistical and historical data about accidents	CJ, JJ
Offense	A system that records statistical and historical data about criminal incidences	CF
Court Docket	A Municipal Court docket system that prints the court dockets, officer notifications, and automatically generates warrants for failure to appear	JD

<u>Sub-System Name</u>	<u>Brief Description</u>	<u>Program I.D.</u>
Prosecutor	A Correction and Probation system allowing immediate access to case status	J3
Juvenile Court	An information system recording transactional data on juvenile offenders. This system involves highly restricted access of on-line data.	JM
ASAP	An information system serving the Alcohol Safety Action Program	JO

The systems and programming documentation is divided into two sections: (1) Systems documentation; (2) Program documentation for programs contained in the system. The table of contents directs the use of each volume. For ease of updating, the numbering scheme is modularized. Systems documentation will be referenced by SYS-XX with XX being page numbers within the systems documentation. Program documentation will be referenced by program number-XX, again the XX being pages within programs.

The program number is a critical reference tool. The first two digits represent which sub-system the program is included in (see above table). When a program creates a magnetic tape that tape is named "Program Number"-TX, with the X being "1" for the first tape it creates, "2" for a succeeding tape, etc. Reports are also numbered in the same manner using an "I" instead of a "T", "Program Number"-IX.

Two styles of record layouts are used in the documentation. One is a continuous single record layout (a Cobol FD is included) and the second is a multi-record, 132 character, layout.

The single record layout is for master files and the multi-record layout is for temporary work files. Typically, the work records are tape records that are used to write reports. The Master File layouts have detail data elements descriptions contained in the Master File and Data Element Description volume.

### Operations Manual

The Operations Manual contains the Set-Up and Operating instruction for each program. Details of special control cards or date cards are described in the Special Instruction Section of the Set-Up document.

Users Manual

The Users Manual contains all information necessary for a user to use specific systems. It is important to know that CRT layouts and data element definitions and codes are contained in this Manual.

Standards Manual

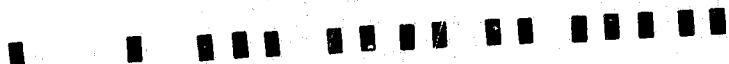
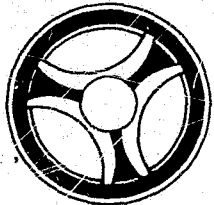
The Standards Manual directs the creation, operation and modification of all systems, programs and documentation.

Master File and Data Element Descriptions

All records in the Master Files are represented by Record Layouts with Cobol FD statements. Data Element Descriptions for all Master File Data Elements are contained in this volume.

TABLE OF CONTENTS

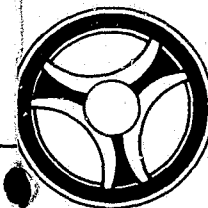
<u>SYSTEM DOCUMENTATION</u>	<u>INDEX NUMBER</u>
Systems Overview	SYS-02
System Flowchart	SYS-05
System Source Documents	SYS-10
System Record Layouts	SYS-17
<u>SYSTEM PROGRAMS</u>	SYS-29
Create FBI Tapes	CF000
FBI Report - Return A & B	CF001
Clearances by Age and Race	CF004
Part I Offenses Cleared and Unfounded.	CF005
Cleared Offenses	CF006
Offenses by Beat and Time of Day	CF007
Offenses by Beat Reporting	CF008
Robbery Evaluations	CF009
Victim by Race and Sex	CF010
Civil Index Listing by Location	CF011
Crime Index Listing	CF012
Create Year-to-Date Offense Tape	CF013
Create Monthly Offense Tape	CF014
Suicides by Race, Sex and Motive	CF015
Part I Offense by Beat	CF016
Civil Index Listing	CF018



SECTION

DATE ISSUED

DATE REVISED



SECTION

DATE ISSUED

DATE REVISED

TABLE OF CONTENTS (Concluded)

SYSTEM PROGRAMS (Concluded)

INDEX NUMBER

Monthly Victim - Offender Offense Listing  
 Create Backup Tape  
 Monthly Offense Statistics  
 Create Weekly Offense Tape  
 Part I Offenses by Beat  
 Report of Offenses Cleared

CF019  
 CF020  
 CF021  
 CF031  
 CF032  
 CF060

OFFENSE REPORTING SYSTEM



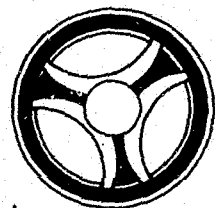
SECTION

DATE ISSUED

DATE REVISED

SYSTEMS OVERVIEW

INDEX NUMBER  
SYS-02



SYSTEM DOCUMENTATION

SECTION

OFFENSE SYSTEM

DATE ISSUED

January 16, 1973

DATE REVISED



SYSTEM DOCUMENTATION

SECTION

OFFENSE SYSTEM

DATE ISSUED

January 16, 1973

DATE REVISED

OFFENSE REPORTING SYSTEM

The Offense Reporting System was developed to provide timely, statistical information concerning all offenses reported to police within the city limits of Kansas City, and in the cities and counties in the Region covered by the ALERT System. Information is provided the user departments in the form of standard periodic computer-generated reports, and also upon reasonable request for specific offense information to be generated by the computer. The regularly scheduled offense statistical reports and FBI Uniform Crime Reports are prepared on a weekly, monthly or annual basis. All other reports are produced on an as required or as requested basis.

The input data for the offense system is collected from standard police department reports that are filled out by police officers as a result of a reported offense. The reports used by the Kansas City, Missouri Police Department fall into four classifications:

- A. Offense Report (P.D. Form 189).
- B. Crime Against Person Report (P.D. Form 339).
- C. Motor Vehicle Report (P.D. Form 280).
- D. Supplementary Report (P.D. Form 184).

After completion the above reports are checked by the reporting officers' immediate supervisor and if approved are forwarded to the Kansas City Police Department Report Review Section where the reports are checked for completeness and final classification. The approved reports are then forwarded to the Data Control Unit for final coding of the data for on-line entry. Some of the statistical information is coded on a form titled Computer Data Entry Sheet (P.D. Form 110) to facilitate easier entry by the on-line terminal operators. After complete coding the forms are sent to the Data Processing Unit for on-line entry through Remote CRT Terminals. The data being entered is subject to on-line primary edits and any errors encountered are returned to the CRT Screen in the form of asterisks. The operator may then make the corrections and re-enter the information.

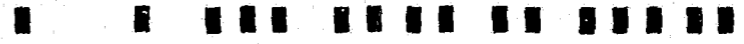
A required field in any offense entry is the address of occurrence, and during the on-line entry of offense information the data is passed through a census tract and block lookup. This is performed by loading into a key the street number and street name of the address of occurrence and reading an on-line file containing the census tract and block code corresponding to this address. This information is added to the offense data already entered and then all of the data is formatted into the necessary records

INDEX NUMBER  
SYS-03

which are subsequently written on the master file, general index file, and name index file.

At the end of each month, a program is run that reads the general index and master files and creates a monthly offense tape which is used as input to most of the offense report programs. The monthly tape provides a comprehensive list of statistics on the victim's name and address, the particulars of how the offense occurred, stolen and recovered property information, location of offense information, and various identifying codes such as the originating agency, case report number, report date, officer's serial number, etc. After the monthly report programs have been run, the monthly tape is merged with the prior month's year-to-date tape to create an updated year-to-date offense tape. This tape has the same record format as the monthly tape and is used as input to several annual offense reports. The year-to-date offense tape is kept indefinitely as a permanent history file.

INDEX NUMBER  
SYS-04



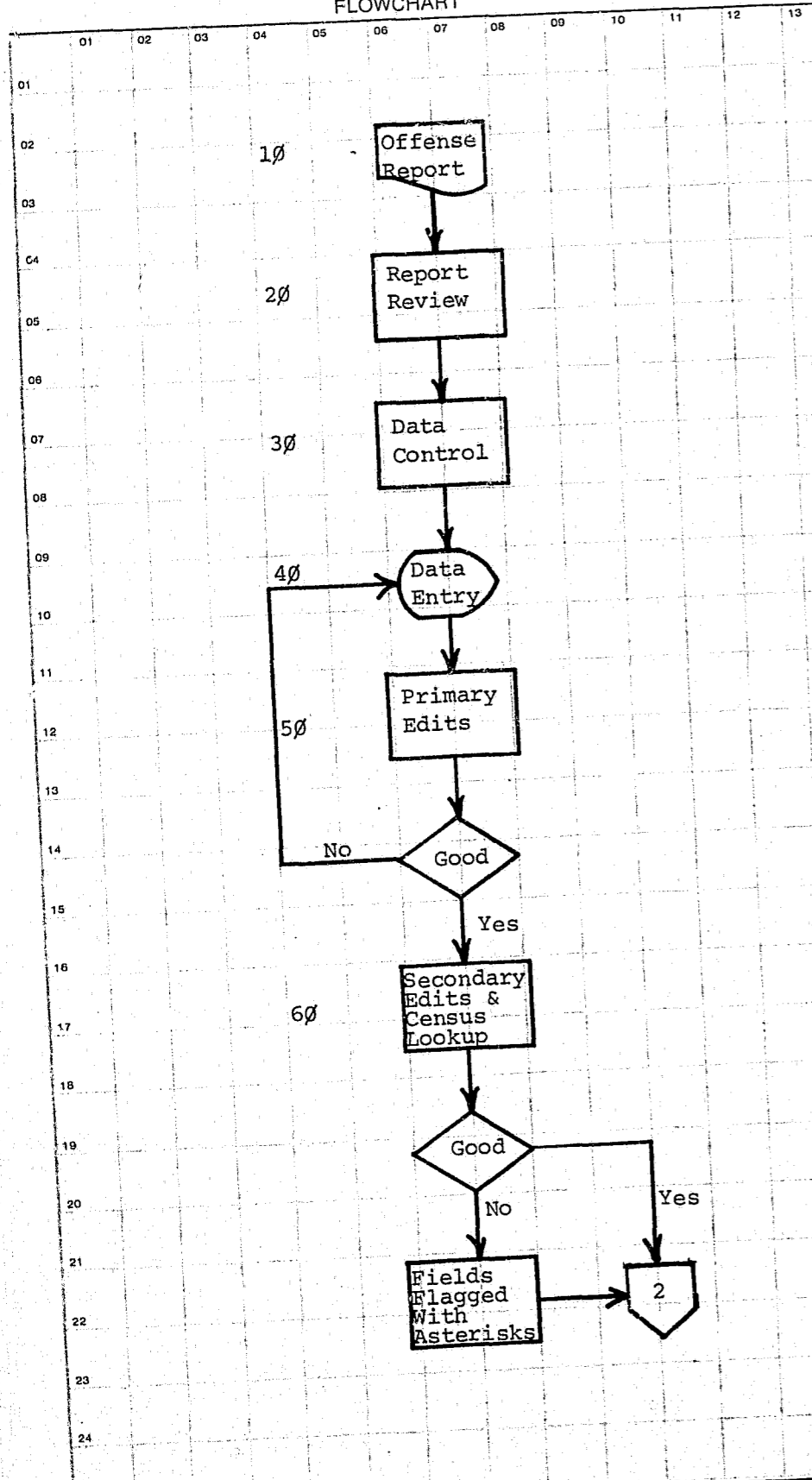
SECTION	
DATE ISSUED	DATE REVISED

SYSTEM FLOWCHART

INDEX NUMBER  
SYS-05

FLOWCHART

DESCRIPTION

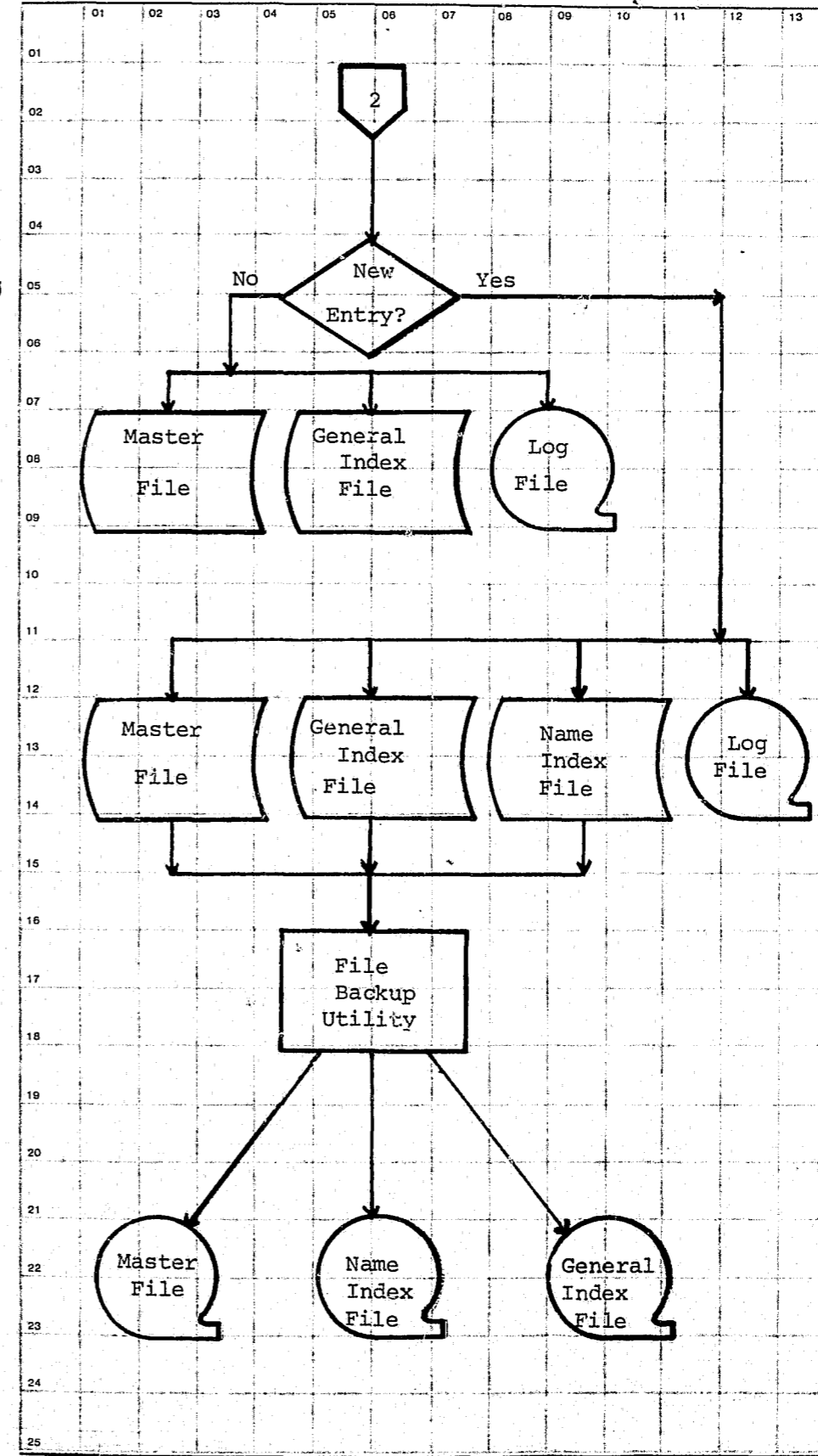


- 10 An offense is reported to Police and an offense report is written describing the details of the offense.
- 20 Offense report is routed to the Report Review Section for review and final classification.
- 30 Offense report is routed to the Data Control Unit for coding of the data for on-line entry.
- 40 Offense report and code sheet routed to the Data Processing Unit for on-line data entry.
- 50 Data entries are passed through primary edits. Rejects are re-displayed on 2260 for correction.
- 60 Data entries are passed through secondary edits and census tract/block lookup. Errors are flagged in the record for logging. Data is passed on for file update.

System No.	System Title: OFFENSE REPORTING SYSTEM	Revision Date:	Revised By:
Date Prepared:	Prepared By:	Revision Date:	Revised By:
Date Approved:	Approved By:	INDEX NUMBER SYS-06	

FLOWCHART

DESCRIPTION



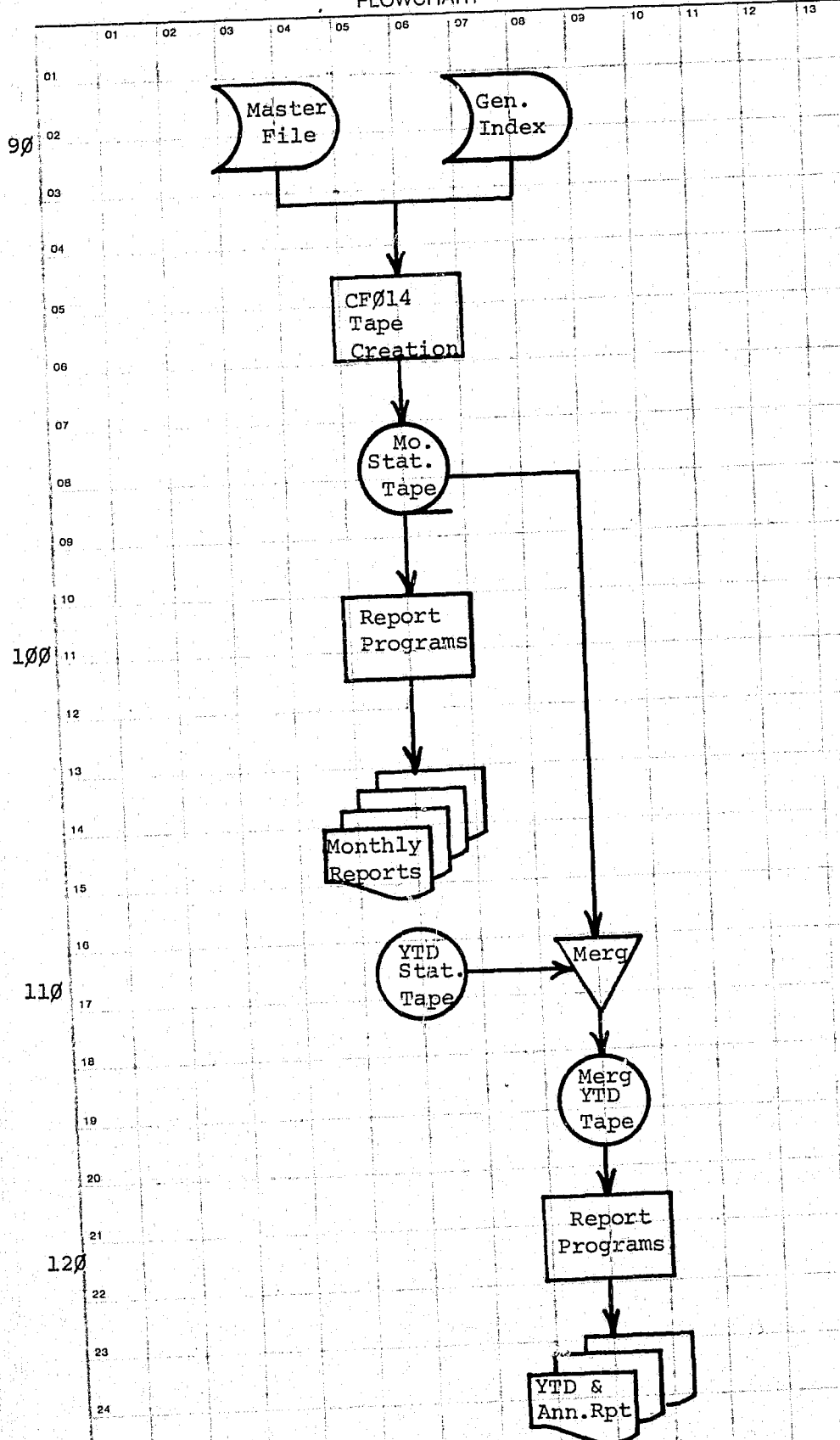
- 70 One of the required data fields on any offense entry is the name of the victim (persons or business). At this point the computer makes a determination as to whether the victim of this offense has been previously entered into the computer files or rather that this is an entirely new entry.
- 75 If the offense being processed concerns a previously entered victim, new offense information is added to the Master File and the General Index File. The transaction is also entered on the Log File.
- 80 If the entry being processed is entirely new, information is added to the Master File, General Index File and the Name Index File. The transaction is entered on the Log File.
- 85 For security purposes as well as input to other programs; the Master File, General Index File, and Name Index File are "backed up" on tape.

System No.	System Title: OFFENSE REPORTING SYSTEM		
Date Prepared:	Prepared By:	Revision Date:	Revised By:
Date Approved:	Approved By:	INDEX NUMBER SYS-07	



FLOWCHART

DESCRIPTION



90 Monthly statistical tape created.

100 Monthly reports produced.

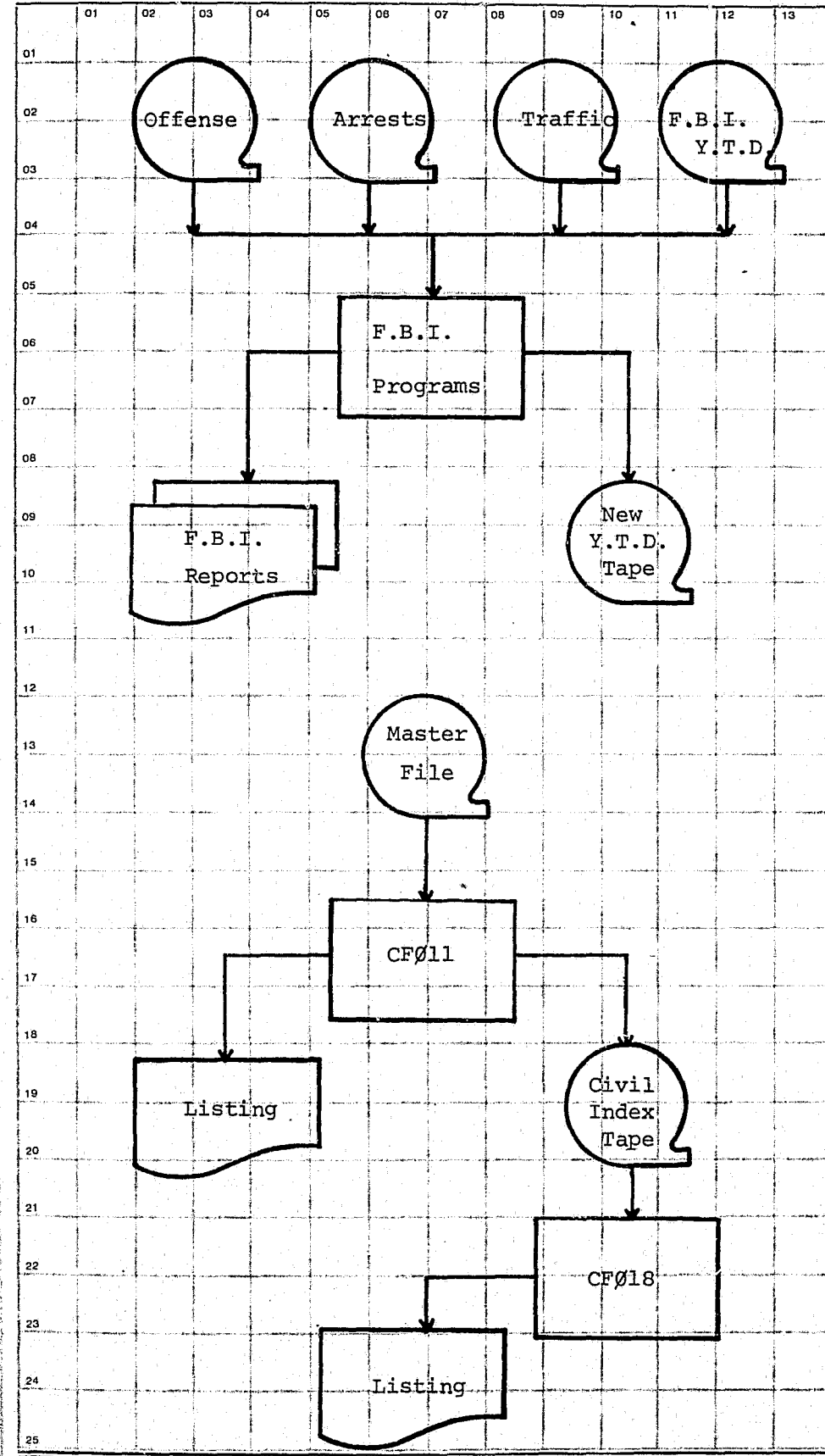
110 Monthly and YTD tapes merged.

120 YTD and annual reports produced.

System No.	System Title: OFFENSE REPORTING SYSTEM		
Date Prepared:	Prepared By:	Revision Date:	Revised By:
Date Approved:	Approved By:	INDEX NUMBER SYS-08	

FLOWCHART

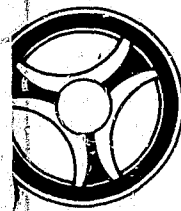
DESCRIPTION



130 Although the majority of the offense report program uses the tape created by CF014, there are four input sources. CF000 and CF001 combine to produce the monthly and the year-to-date FBI Report, and use as their input source four tapes; monthly offense tape, monthly arrest tape, monthly traffic ticket tape, and the year-to-date FBI tape. The output of the FBI programs consists of the FBI reports and a new year-to-date FBI tape.

140 The other two programs that deviate from the normal input source are: CF011 and CF018. CF011 uses as input the backup tape for the Master File and produces a listing and a Civil Index Tape of selected offenses. This tape is used as input to CF018 which creates a second listing.

System No.	System Title: OFFENSE REPORTING SYSTEM		
Date Prepared:	Prepared By:	Revision Date:	Revised By:
Date Approved:	Approved By:	INDEX NUMBER SYS-09	



SECTION

DATE ISSUED

DATE REVISED

SYSTEM SOURCE DOCUMENTS

INDEX NUMBER  
SYS-10



KANSAS CITY, MISSOURI POLICE DEPARTMENT  
**CRIME AGAINST PERSON REPORT**

NATURE OF CASE \_\_\_\_\_

DATE \_\_\_\_\_

REPORTED BY \_\_\_\_\_

REFERRAL FORM ISSUED  YES  NO

DATE \_\_\_\_\_ TIME \_\_\_\_\_

VICTIM	LAST NAME	FIRST NAME	INIT.	JR/SR	RACE	SEX	DATE OF BIRTH	STATE OF BIRTH
WITNESS	HEIGHT	WEIGHT	EYES	HAIR	SOCIAL SECURITY NUMBER	STREET #	DIRECTION	STREET NAME AND CLASSIFICATION
SUSPECT	CITY	STATE	ZIP CODE	PHONE	BUSINESS ADDRESS	BUSINESS PHONE		

TIME OF OCC. \_\_\_\_\_

HOMICIDE  RAPE  ASSAULT-AGGRAVATED  SUICIDE  CASUALTY

DEAD BODY  ATTP. RAPE  ASSAULT-NOT AGGRAVATED  ATTP. SUICIDE  (Other) \_\_\_\_\_

SCENE PROCESSED  YES  NO

BEAT OF OCC. \_\_\_\_\_

LATENT PRINTS  YES  NO

PROCESSED BY  EVIDENCE TECHNICIAN  REPORTING OFFICER

OTHER ITEMS OF EVIDENCE  YES  NO

VICTIM	LAST NAME	FIRST NAME	INIT.	JR/SR	RACE	SEX	DATE OF BIRTH	STATE OF BIRTH
WITNESS	HEIGHT	WEIGHT	EYES	HAIR	SOCIAL SECURITY NUMBER	STREET #	DIRECTION	STREET NAME AND CLASSIFICATION
SUSPECT	CITY	STATE	ZIP CODE	PHONE	BUSINESS ADDRESS	BUSINESS PHONE		

VICTIM	LAST NAME	FIRST NAME	INIT.	JR/SR	RACE	SEX	DATE OF BIRTH	STATE OF BIRTH
WITNESS	HEIGHT	WEIGHT	EYES	HAIR	SOCIAL SECURITY NUMBER	STREET #	DIRECTION	STREET NAME AND CLASSIFICATION
SUSPECT	CITY	STATE	ZIP CODE	PHONE	BUSINESS/SCHOOL ADDRESS	BUSINESS PHONE		

VICTIM	LAST NAME	FIRST NAME	INIT.	JR/SR	RACE	SEX	DATE OF BIRTH	STATE OF BIRTH
WITNESS	HEIGHT	WEIGHT	EYES	HAIR	SOCIAL SECURITY NUMBER	STREET #	DIRECTION	STREET NAME AND CLASSIFICATION
SUSPECT	CITY	STATE	ZIP CODE	PHONE	BUSINESS ADDRESS	BUSINESS PHONE		

VICTIM	LAST NAME	FIRST NAME	INIT.	JR/SR	RACE	SEX	DATE OF BIRTH	STATE OF BIRTH
WITNESS	HEIGHT	WEIGHT	EYES	HAIR	SOCIAL SECURITY NUMBER	STREET #	DIRECTION	STREET NAME AND CLASSIFICATION
SUSPECT	CITY	STATE	ZIP CODE	PHONE	BUSINESS/SCHOOL ADDRESS	BUSINESS PHONE		

VICTIM	LAST NAME	FIRST NAME	INIT.	JR/SR	RACE	SEX	DATE OF BIRTH	STATE OF BIRTH
WITNESS	HEIGHT	WEIGHT	EYES	HAIR	SOCIAL SECURITY NUMBER	STREET #	DIRECTION	STREET NAME AND CLASSIFICATION
SUSPECT	CITY	STATE	ZIP CODE	PHONE	BUSINESS ADDRESS	BUSINESS PHONE		

VICTIM	LAST NAME	FIRST NAME	INIT.	JR/SR	RACE	SEX	DATE OF BIRTH	STATE OF BIRTH
WITNESS	HEIGHT	WEIGHT	EYES	HAIR	SOCIAL SECURITY NUMBER	STREET #	DIRECTION	STREET NAME AND CLASSIFICATION
SUSPECT	CITY	STATE	ZIP CODE	PHONE	BUSINESS/SCHOOL ADDRESS	BUSINESS PHONE		

VICTIM	LAST NAME	FIRST NAME	INIT.	JR/SR	RACE	SEX	DATE OF BIRTH	STATE OF BIRTH
WITNESS	HEIGHT	WEIGHT	EYES	HAIR	SOCIAL SECURITY NUMBER	STREET #	DIRECTION	STREET NAME AND CLASSIFICATION
SUSPECT	CITY	STATE	ZIP CODE	PHONE	BUSINESS ADDRESS	BUSINESS PHONE		

MEANS USED:  GUN  OTHER DANGEROUS INSTRUMENT  OTHER (SPECIFY) \_\_\_\_\_

KNIFE/CUTTING INSTRUMENT  HANDS, FISTS, FEET, ETC.

ADDITIONAL REMARKS: \_\_\_\_\_

TYPE OF INJURY \_\_\_\_\_

REMOVED TO \_\_\_\_\_

ORDER OF CONVEYANCE \_\_\_\_\_

SUSPECT 1	LAST NAME	FIRST NAME	INIT.	JR/SR	RACE	SEX	EST. AGE/D.O.B.	MONIKER
TODAY	HEIGHT	WEIGHT	BUILD	HAIR	EYES	COMPLEXION	HAT	SHIRT
PAST	OTHER CLOTHING	GLASSES	JEWELRY	OTHER NOTICEABLE CHARACTERISTICS (SPEECH, TATTOOS, SCARS, LIMP, ETC.)				

SUSPECT 1	LAST NAME	FIRST NAME	INIT.	JR/SR	RACE	SEX	EST. AGE/D.O.B.	MONIKER
TODAY	HEIGHT	WEIGHT	BUILD	HAIR	EYES	COMPLEXION	HAT	SHIRT
PAST	OTHER CLOTHING	GLASSES	JEWELRY	OTHER NOTICEABLE CHARACTERISTICS (SPEECH, TATTOOS, SCARS, LIMP, ETC.)				

SUSPECT 2	LAST NAME	FIRST NAME	INIT.	JR/SR	RACE	SEX	EST. AGE/D.O.B.	MONIKER
TODAY	HEIGHT	WEIGHT	BUILD	HAIR	EYES	COMPLEXION	HAT	SHIRT
PAST	OTHER CLOTHING	GLASSES	JEWELRY	OTHER NOTICEABLE CHARACTERISTICS (SPEECH, TATTOOS, SCARS, LIMP, ETC.)				

SUSPECT 2	LAST NAME	FIRST NAME	INIT.	JR/SR	RACE	SEX	EST. AGE/D.O.B.	MONIKER
TODAY	HEIGHT	WEIGHT	BUILD	HAIR	EYES	COMPLEXION	HAT	SHIRT
PAST	OTHER CLOTHING	GLASSES	JEWELRY	OTHER NOTICEABLE CHARACTERISTICS (SPEECH, TATTOOS, SCARS, LIMP, ETC.)				

TYPE OF WEAPON USED \_\_\_\_\_

TYPE OF VEHICLE USED \_\_\_\_\_

TOWED  YES TOW-IN # \_\_\_\_\_  NO

RECOVERED PROPERTY OR WEAPON  YES  NO

WITNESS 1	LAST NAME	FIRST NAME	INIT.	JR/SR	RACE	SEX	DATE OF BIRTH	STATE OF BIRTH
WITNESS 2	HEIGHT	WEIGHT	EYES	HAIR	SOCIAL SECURITY NUMBER	STREET #	DIRECTION	STREET NAME AND CLASSIFICATION
WITNESS 3	CITY	STATE	ZIP CODE	PHONE	BUSINESS/SCHOOL ADDRESS	BUSINESS PHONE		

WITNESS 1	LAST NAME	FIRST NAME	INIT.	JR/SR	RACE	SEX	DATE OF BIRTH	STATE OF BIRTH
WITNESS 2	HEIGHT	WEIGHT	EYES	HAIR	SOCIAL SECURITY NUMBER	STREET #	DIRECTION	STREET NAME AND CLASSIFICATION
WITNESS 3	CITY	STATE	ZIP CODE	PHONE	BUSINESS/SCHOOL ADDRESS	BUSINESS PHONE		

INDEX NUMBER  
SYS-13

ARRESTED BY: \_\_\_\_\_ COLOR \_\_\_\_\_ SEX \_\_\_\_\_ DOB \_\_\_\_\_ G.O.S./JUV. RPT. # \_\_\_\_\_

OFFICERS: \_\_\_\_\_ OTHER (SPECIFY) \_\_\_\_\_

SERIAL(S) \_\_\_\_\_ BEAT REPORTING \_\_\_\_\_

INDEX NUMBER  
SYS-14

CASE NO. \_\_\_\_\_

KANSAS CITY MISSOURI POLICE DEPARTMENT  
UNFOUNDED REPORT

SUPERVISOR APPROVAL \_\_\_\_\_

REPORTING OFFICER'S NAME & SERIAL NO. \_\_\_\_\_

CLASSIFICATION OF INCIDENT AS ORIGINALLY RECEIVED OR DISPATCHED.

- HOMICIDE       ROBBERY       VEHICULAR
- RAPE       BURGLARY       RECOVERED PROPERTY
- ASSAULTS       LARCENY       BICYCLE
- ANIMAL BITE       STOLEN AUTO       OTHER \_\_\_\_\_

NAME OF COMPLAINANT \_\_\_\_\_

COMPLAINANT'S ADDRESS \_\_\_\_\_ PHONE NO. \_\_\_\_\_

NAME OF PERSON CONTACTED IF NOT COMPLAINANT \_\_\_\_\_

ADDRESS \_\_\_\_\_ PHONE NO. \_\_\_\_\_

LOCATION DISPATCHED TO \_\_\_\_\_

DATE: \_\_\_\_\_ TIME: \_\_\_\_\_

- INVESTIGATION PROVES THE CRIME/INCIDENT DID NOT HAPPEN OR WAS NOT ATTEMPTED.  
(STATE BRIEFLY IN NARRATIVE SECTION THE CIRCUMSTANCES TO JUSTIFY THIS CONCLUSION.)
- UNABLE TO LOCATE CRIME OR INCIDENT THAT REQUIRES REPORT.
- UNABLE TO LOCATE ANY PERSON WHO CALLED POLICE.
- CRIME OR INCIDENT OCCURRED IN ANOTHER JURISDICTION. (STATE BRIEFLY IN NARRATIVE SECTION WHAT THE COMPLAINANT WAS ADVISED TO DO, AND IF OUTSIDE AGENCY NOTIFIED, THE NAME, RANK/TITLE, AND OUTSIDE ORGANIZATION THAT WAS CONTACTED.)
- ANOTHER CASE NUMBER HAS ALREADY BEEN ISSUED FOR THIS CRIME OR INCIDENT.  
THE ORIGINAL CASE NUMBER WAS \_\_\_\_\_.

NARRATIVE/COMMENTS \_\_\_\_\_

\_\_\_\_\_

\_\_\_\_\_

\_\_\_\_\_

COMPLAINANT ACKNOWLEDGES COMPLAINT IS UNFOUNDED \_\_\_\_\_

SIGNATURE

SUPPLEMENTARY REPORT  
POLICE DEPARTMENT  
KANSAS CITY MISSOURI

COMPLAINT # \_\_\_\_\_

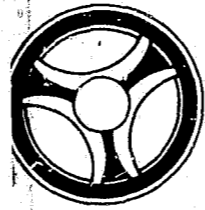
OFFICERS REPORTING \_\_\_\_\_

APPROVED BY \_\_\_\_\_

REPORTED BY \_\_\_\_\_

VARIABLES:		DISTRICT REPORTING	DATE OF THIS REPORT
TYPE OF ORIGINAL REPORT	DATE AND TIME OF OCCURRENCE	PLACE OF OCCURRENCE	DISTRICT OF OCC.
M (IF FIRM, NAME AND TYPE OF BUSINESS)	HOME ADDRESS		
	BUSINESS ADDRESS		

ADDITIONAL DETAILS



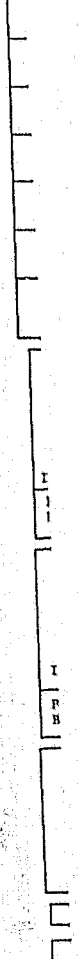
SECTION

DATE ISSUED

DATE REVISED

SYSTEM RECORD LAYOUTS

IN  
ME  
DE  
QU



INDEX NUMBER  
SYS-17













EDP RECORD LAYOUT	GF5 - 'R' ID TYPE RECORD
-------------------	--------------------------



SECTION	
DATE ISSUED	DATE REVISED

		5	10	15	20	25	30	35	40
D F L A G	INDXK				F I L L E R	MASTK	ORI		
	I D T Y P	CRN (Inverted)	RPT DT						
1	1	8	P5	1	P15		7		

```

01 GF5.
02 GF5DFLAG PIC X.
02 GF5INDXK.
03 GF5IDTYP PIC X.
03 GF5CRN PIC X(8).
03 GF5RPTDT PIC 9(5) COMP-3.
03 FILLER PIC X.
03 GF5MASTK PIC 9(15) COMP-3.
02 GF5ORI PIC X(7).
    
```

SYSTEM PROGRAMS

INDEX  
SYS

INDEX NUMBER  
SYS-29



PROGRAMMING DOCUMENTATION

SECTION

OFFENSE PROGRAMS

DATE ISSUED

January 16, 1973

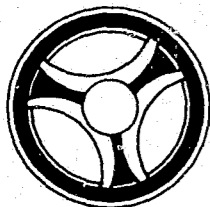
DATE REVISED

PROGRAM TITLE: CREATE FBI TAPES

DATE OPERATIONAL: January 16, 1973

PURPOSE: CF000 creates the input tapes for the program that prints the monthly FBI Report Return A, and the year-to-date FBI Report Return B.

INDEX NUMBER  
CF000-01



PROGRAMMING DOCUMENTATION

SECCIÓN

OFFENSE PROGRAMS

DATE ISSUED

January 16, 1973

DATE REVISED



PROGRAMMING DOCUMENTATION

SECTION

OFFENSE PROGRAMS

DATE ISSUED

January 16, 1973

DATE REVISED

I. PROGRAM NARRATIVE

The input to the program CF000 is comprised of four tapes. The first is a monthly offense tape created by Program No. CF014. The second is a monthly traffic tape created by Traffic Ticket Program No. CD010, and the third is created by the Monthly Arrest Program CU000. The fourth input tape is the old year-to-date FBI tape CF000T2 that is created by the previous month's run of CF000. There are two output tapes created by CF000 - they being CF000T1 (monthly), and CF000T2 (year-to-date). CF000T1 is used as the input to CF001, the program that prints the FBI Report Return A. The second output tape, CF000T2 is a year-to-date tape and when used as input to CF001, prints the FBI Report Return B which is the year-to-date report.

II. DETAILED DESCRIPTION

The input files - arrest tape, offense tape, traffic tape, and code files are opened. The correct date is accepted from a control card and the Sort file is initiated.

BLD-SRT reads the Arrest Input Tape and extracts the originating agency code. This originating agency code is used as a key and the code file is read. A field in the code file is checked to ascertain if the agency indicated is to receive the monthly FBI report. If not another arrest record is read. Otherwise it falls through to the following paragraph.

CK-ASW checks a field in the arrest record to ascertain if this is the correct arrest record type and if so releases the entire record to a Sort. If it is not the correct arrest record type control goes back to paragraph BLD-SRT where another arrest record is read.

READ-OFFEN, CK-OSW, FALL-THRU, CK-NINETY read the offense tape and duplicate the verification function of the previous two paragraphs - BLD-SRT, CK-ASW.

READ-TRAFFIC, CK-TSW read the traffic tape and duplicate the verification function of the first two paragraphs - BLD-SRT, CK-ASW.

This program uses the internal Sort feature which is listed directly under Procedure Division. All of the records that have been read from the arrest tape, offense tape, and traffic tape in all of the preceding paragraphs have been loaded into a Sort and sorted in originating agency code sequence. A tape has then been created with these sorted records. The name of this tape is FBI Tape and will be used as input for the remainder of the program.

INDEX NUMBER  
CF000

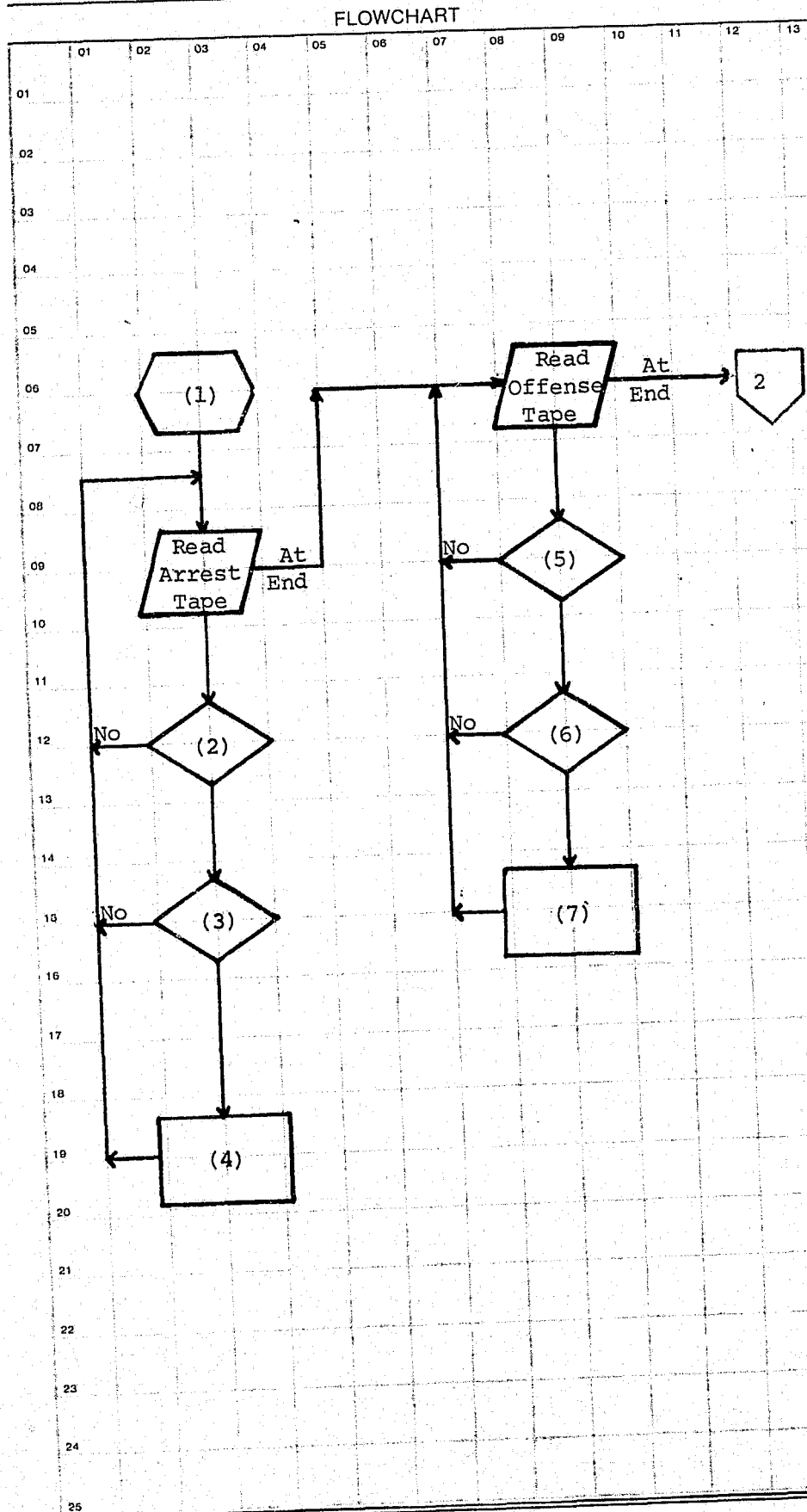
MERGE-TAPES opens the FBI Tape created by the internal sort and an output tape entitled New-FBI-YTD.

OPEN-OLD-YTD opens as input the Old-FBI-YTD tape that was created by the previous month's run of CF000. A read is performed on both the FBI tape and the old FBI year-to-date.

CK-ORI, WRITE-FBI, WRT-FBI, FINISH-FBI, WRT-OLD, FINISH-OLD. These six paragraphs combine to merge the monthly FBI tape and the old year-to-date FBI tape into a single tape entitled New FBI year-to-date.

STOP-JOB displays upon the console the total arrest records written, total offense records written, total traffic records written and total year-to-date records written. It also displays a normal end-of-job message and stop run.

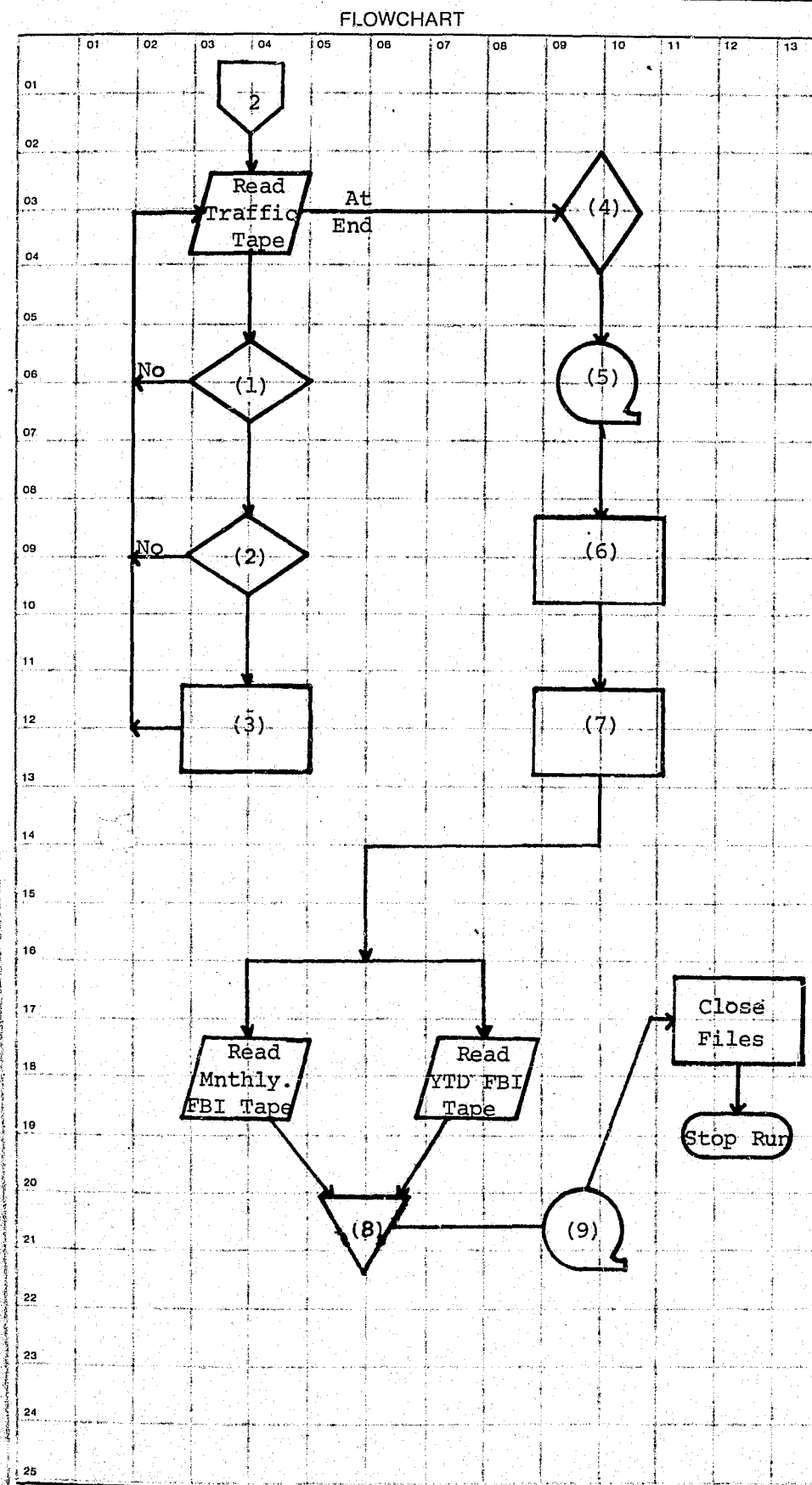
INDEX NUMBER  
CF000-03



- (1) Housekeeping (Open Files etc.)
- (2) Valid ORI ?
- (3) Valid Arrest Type ?
- (4) Release Arrest Information to Sort
- (5) Valid ORI ?
- (6) Valid Offense Type ?
- (7) Release Offense Information to Sort

System No.	System Title:	Revision Date:	Revised By:
Date Prepared:	Prepared By:		
Date Approved:	Approved By:		

INDEX NUMBER  
CF000-01



- (1) Valid ORI?
- (2) Valid Arrest Type?
- (3) Release Arrest Information to Sort
- (4) Sort in ORI Sequence
- (5) Create New Monthly FBI Tape
- (6) Close Tape As Output and Re-Open as Input
- (7) Open Old YTD FBI Tape as Input and Open a Scratch Output Tape
- (8) Merge Data
- (9) New YTD FBI Tape

System No.	System Title:	Revision Date:	Revised By:
Date Prepared:	Prepared By:		
Date Approved:	Approved By:		

INDEX NUMBER  
CF000-05





# EDP RECORD LAYOUT

OFFENSE TAPE RECORDS CF814T1

RECORD KEY										VICTIM NAME INFORMATION										VICTIM ADDRESS INFORMATION									
ALERT #	RT	W	O	F	H	O	C	E	C	O	E	C	R	D	ORIG AGCY	CASE REPORT #	BUSINESS NAME	PERSONS NAME	LAST NAME	FIRST NAME	DOB	HOUSE #	APT OR ROOM #	STREET NAME	CITY	STATE	ZIP		

RECORD KEY										CRIME										ATTACKED										OCCURRED										REPORTED										CLEARANCE										OFNDR									
ALERT #	RT	W	O	F	H	O	C	E	C	O	E	C	R	D	ORIG AGCY	CASE REPORT #	CRIME	ATTACKED	OCCURRED	REPORTED	CLEARANCE	OFNDR	FILLER	OSN	FEU	FRM	ICAE	ELR	REPORT DATE																																								

RECORD KEY										CRIME										CURRENCY										JEWELRY										FURS										CLOTHING										AUTOS										MISC.									
ALERT #	RT	W	O	F	H	O	C	E	C	O	E	C	R	D	ORIG AGCY	CASE REPORT #	CRIME	CURRENCY	JEWELRY	FURS	CLOTHING	AUTOS	MISC.	FILLER	OSN	FEU	FRM	ICAE	ELR	REPORT DATE																																																	

RECORD KEY										CRIME										CURRENCY										JEWELRY										FURS										CLOTHING										AUTOS										MISC.									
ALERT #	RT	W	O	F	H	O	C	E	C	O	E	C	R	D	ORIG AGCY	CASE REPORT #	CRIME	CURRENCY	JEWELRY	FURS	CLOTHING	AUTOS	MISC.	FILLER	OSN	FEU	FRM	ICAE	ELR	REPORT DATE																																																	

RECORD KEY										CRIME										LOCATION OF OFFENSE										BEAT										CENSUS									
ALERT #	RT	W	O	F	H	O	C	E	C	O	E	C	R	D	ORIG AGCY	CASE REPORT #	CRIME	HOUSE #	APT/ROOM #	STREET NAME	CITY	STATE	OFFENSE	BEAT	CENSUS	FILLER	OSN	FEU	FRM	ICAE	ELR	REPORT DATE																	

# EDP RECORD LAYOUT

MONTHLY ARREST TAPE CUP88T1

RECORD KEY										ARRESTEE										ARRESTEE'S ADDRESS									
ALERT NUMBER	TYPE 40	NO. OF ARRESTS THIS PERSON	RECORD COUNT	ORI	ARREST NUMBER	LAST NAME	FIRST NAME	MIDDLE INITIAL	DATE OF BIRTH	ADDRESS NO.	APT. NO.	STREET NAME	STREET SUFFIX	STREET DIR.	CITY	STATE	FILLER												

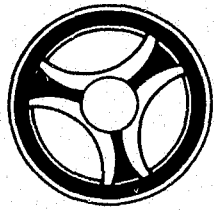
RECORD KEY										CHARGE										ARR.										ARR. OFFICER										PREVIOUS RECORD									
ALERT NUMBER	TYPE 40	NO. OF ARRESTS THIS PERSON	RECORD COUNT	ORI	ARREST NUMBER	ARREST DATE	ARREST HOUR	ARREST CHARGE	NATURE	AGE	RACE	SEX	PAROLE/PROB.	UNIT	SERIAL NO. 1	SERIAL NO. 2	ORDINANCE	ARRRESTS	CONVICTIONS	MILITANT	ACTIVIST	TRAFFIC	ARRRESTS	CONVICTIONS	MISDEMEANOR	ARRRESTS	CONVICTIONS	FELONY	ARRRESTS	CONVICTIONS	ARRREST COUNT	DISP. FLAG	JACKET NO.	REPORT DATE															

RECORD KEY										CHARGE										DISPOSITION										PREVIOUS RECORD									
ALERT NUMBER	TYPE 40	NO. OF ARRESTS THIS PERSON	RECORD COUNT	ORI	ARREST NUMBER	ARREST DATE	ARREST CHARGE	NATURE	FINAL CHARGE	DISPOSITION	DATE	TYPE DISP.	CRCT. JURIS.	SENTENCE IN MONTHS	SENTENCE IN DAYS	SENT. &/OR FINE	AMOUNT OF FINE	PAROLE/PROB.	ARRRESTS	CONVICTIONS	MILITANT	ACTIVIST	TRAFFIC	ARRRESTS	CONVICTIONS	MISDEMEANOR	ARRRESTS	CONVICTIONS	FELONY	ARRRESTS	CONVICTIONS	ARRREST COUNT	DISP. FLAG	JACKET NO.	REPORT DATE				

RECORD KEY										LOCATION OF ARREST										BEAT										CENSUS									
ALERT NUMBER	TYPE 40	NO. OF ARRESTS THIS PERSON	RECORD COUNT	ORI	ARREST NUMBER	ADDR. NO.	APT/ RM NO.	STREET NAME	CITY	STATE	EAST/WEST STREET NAME	NORTH/SOUTH STREET NAME	CITY	STATE	BEAT OCCURRED	BEAT REPORTING	CENSUS TRACT	CENSUS BLOCK	JACKET NO.	REPORT DATE																			

INDEX NUMBER  
CF808-99





PROGRAMMING DOCUMENTATION

SECTION  
OFFENSE PROGRAMS

DATE ISSUED  
January 16, 1973

DATE REVISED



PROGRAMMING DOCUMENTATION

SECTION  
OFFENSE PROGRAMS

DATE ISSUED  
January 16, 1973

DATE REVISED

I. PROGRAM NARRATIVE

Total arrests of adults and arrests of juveniles (excluding traffic arrests) are printed from arrest tape. Part I offenses are broken down into the following categories from the offense tape:

- A. Number of offenses reported (by type offense)
- B. Number baseless or unfounded (by type offense)
- C. Number actual offenses (by type offense)
- D. Number of offenses cleared by arrest (by type offense)
- E. Number of arrests of juveniles (by type offense)
- F. Value of property stolen (currency, jewelry & precious metals, furs, clothing, locally stolen automobiles, misc.)
- G. Value of property recovered (currency, jewelry & precious metals, furs, clothing, locally stolen automobiles, misc.)
- H. Number of actual offense & value of property stolen (robbery, burglary, larceny, autotheft)
- I. Number of automobiles recovered.

Traffic tape provides the following information:

- A. Hazardous violations
- B. Other violations
- C. Parking (except meter) violations
- D. Parking meter violations
- E. Total traffic
- F. DWI
- G. Hit & Run
- H. Arrests, citations or custody at accidents

II. DETAILED DESCRIPTION

Files are opened, current date is moved to headers, type return is moved from control card to headers. If Originating Agency Code is other than that of the Kansas City, Missouri Police Department, it is moved from control card containing specific agency.

HEADERS, MOVE-ZEROS-IN move zeroes to counters and switches.

READ-ARREST-TAPE reads the arrest tape, checks month if Return A, checks age for juvenile or adult and adds to counter (JUVENILE-ARREST or ADULT-ARREST).

READ-OFFENSE-TAPE moves zeroes to subscripts, reads file, compares ORI, compares month if Return A, compares for original, supplemental, stolen property or recovered property only, edit clearance codes.

FRIZLE compares code in file (OFFENSE-CODE2 or OFFENSECODE2) with literals to move actual values into subscripts or ignore record if no match.

ADD-TO-FIRST-COUNTERS and ADD-FOR-LARCENY-FIRST add or subtract from subscripted counters (COUNT-PAGE1 and COUNT-PAGE2-4A) for Part I Offenses to be counted as number reported, number found to be baseless or unfounded, number of actual offenses, number cleared by arrest, and of those cleared by arrest, number of Juveniles (COUNT-PAGE 1). Also adds for actual offenses for Robbery, Burglary, Larceny and Auto theft to appear later in the report (COUNT-PAGE 2-4A).

ADD-SUBS-CHANGE moves a blank into the add-subtract field of stolen property and recovered property if a zero now appears in that field.

STOLEN-RECOVERED, SUB-RECV-STOLEN, ADD-RECV-AUTO, SUB-RECV-AUTO, and ADD-AND-GO add or subtract the amount of stolen or recovered property for each of the six fields (currency, jewelry, furs, clothing, autos, miscellaneous) to appropriately subscripted counter (COUNT-PAGE2A).

COUNT-ACTUAL-VALUES, CHECK-BURGLARY, CHECK-LARCENY, CHECK-AUTOS, ADD-NATURES, ADD-TO-EACH-COUN, STOLEN-ADD, and AND SUB-OUT adds or subtracts from counters for number of actual offenses and amount of stolen for Robbery, Burglary, Larceny and Auto Theft (number of actual offenses--COUNT-PAGE 2-4A; amount of stolen property--COUNT-PAGE 2-4B).

RECV, ADD-AUT, and SUB-AUT add or subtract from counter (COUNT-PAGE 2-4A) for type recovered auto:

1. locally stolen and locally recovered
2. locally stolen and recovered by other
3. total stolen locally recovered
4. stolen out of town, recovered locally

LARCENY-SEPARATE counts larceny's under \$5, \$5 - \$49.99, and those \$50 and over by amount stolen to counter (COUNT-PAGE 2-4B).

READ-TRAFFIC-TAPE reads traffic files, checks ORI, and month if Return A, and traffic ordinance and/or type.

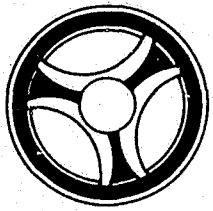
ADD-TO-CTR adds 1 to appropriate counter whenever data found (COUNT-PAGE 2-4A).

START-TO-PRINT, PRINT-PAGE 1 moves and prints data for first page of report.

MOVE-IN-STOLEN-RECOVERED, MOVE-IN-TRAFFIC moves and prints data for second page of report.

INDEX NUMBER  
CF001

INDEX NUMBER  
CF001-03



PROGRAMMING DOCUMENTATION

SECTION  
OFFENSE PROGRAMS

DATE ISSUED  
January 16, 1973

DATE REVISED

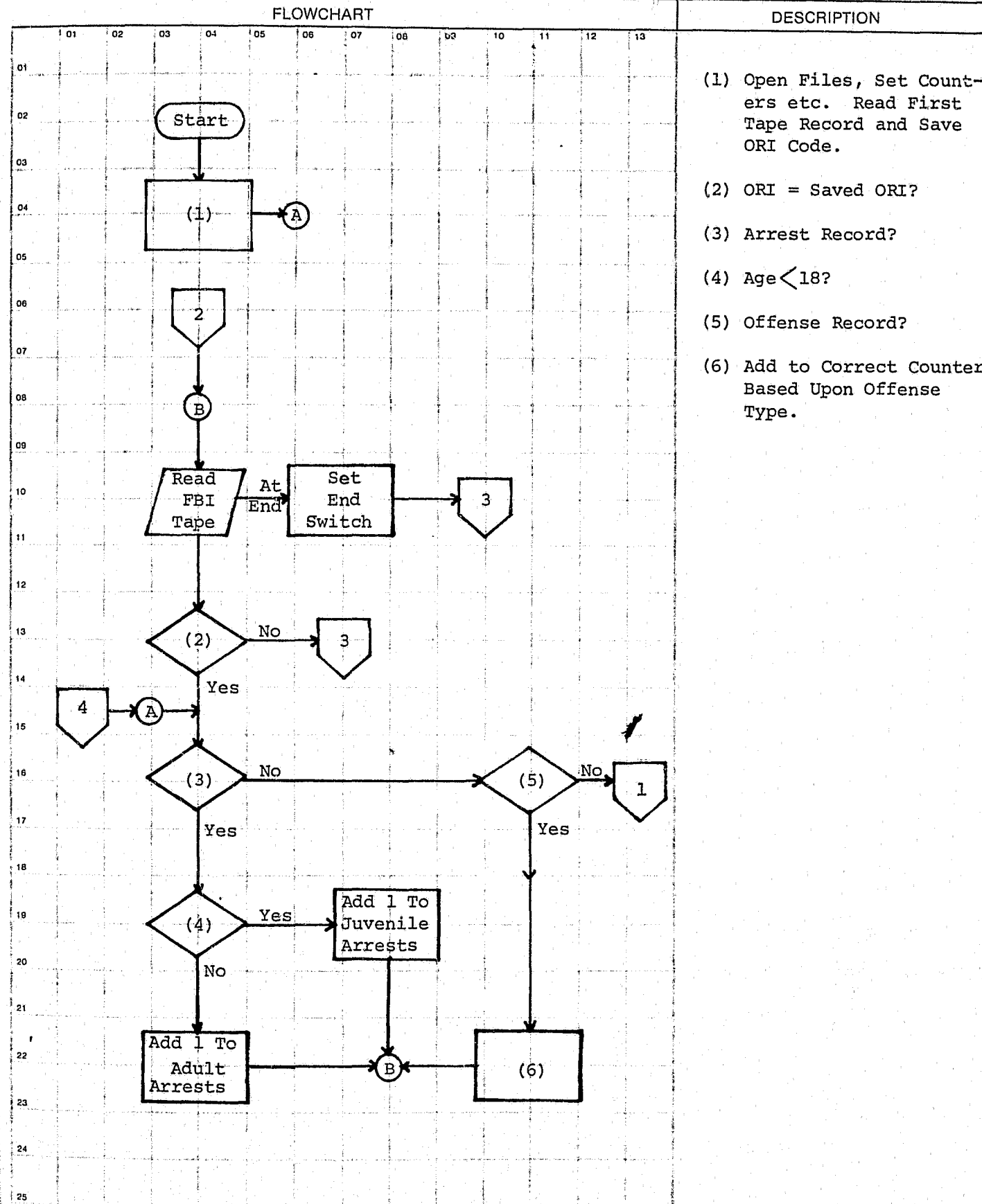
CLASSIFY-PRINT and LAST-LINE-PRINT move and print data for the third and fourth page of report. If there are additional agencies remaining to be processed branch is to beginning of Procedure Division.

STOP-JOB closes files and stop run occurs.

C-CONSTANT SECTION moves and prints all constants on printout referring to any totals.

END-OF-PAGE SECTION prints standard information at bottom of pages and necessary headers.

SYSTEM FLOW CHART



INDEX NUMBER  
CF001

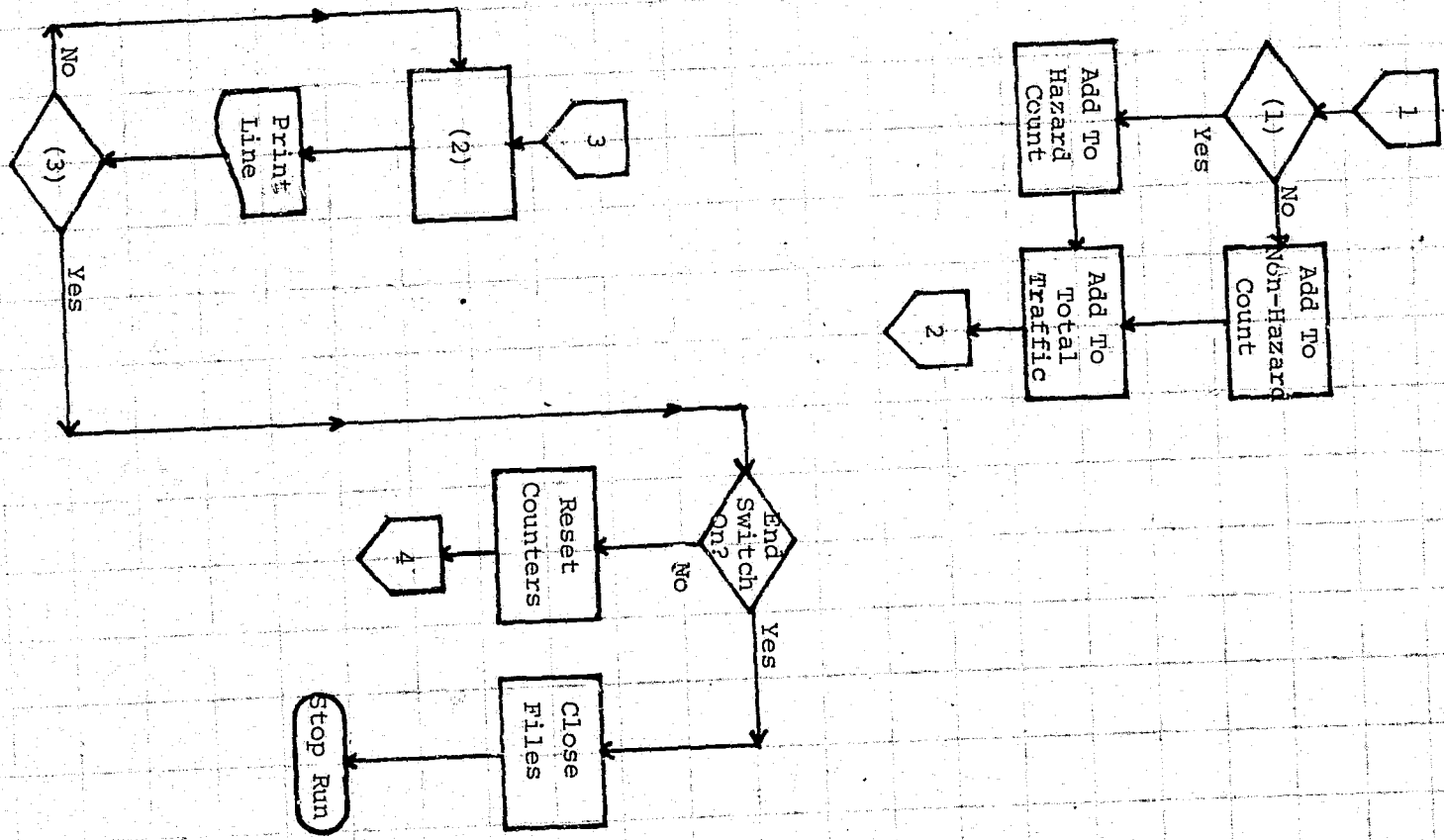
System No.	System Title:		
Date Prepared:	Prepared By:	Revision Date:	Revised By:
Date Approved:	Approved By:		

INDEX NUMBER  
CF001-05

FLOWCHART

DESCRIPTION

- (1) Hazardous Arrest?
- (2) Format Accumulated Counts and Move to Print Area.
- (3) Last Line Of Report Printed?



System No. \_\_\_\_\_ System Title: \_\_\_\_\_  
 Date Prepared: \_\_\_\_\_ Prepared By: \_\_\_\_\_  
 Date Approved: \_\_\_\_\_ Approved By: \_\_\_\_\_  
 Revision Date: \_\_\_\_\_ Revised By: \_\_\_\_\_  
 INDEX NUMBER  
 CF001-06

NEW  REVISION=SHOW WHY IN COMMENTS

TITLE OF REPORT OR LISTING  
 FBI RETURN A - OFFENSES KNOWN TO POLICE CF001L1  
 FBI RETURN B - OFFENSES KNOWN TO POLICE YEAR-TO-DATE CF001L2

PURPOSE OR FUNCTION IT SERVES  
 THIS REPORT IS DESIGNED TO MEET THE MONTHLY REPORT OBLIGATIONS TO THE FEDERAL BUREAU OF INVESTIGATION UNIFORM CRIME REPORTING SYSTEM.  
 FBI REPORT - RETURN B SAME AS RETURN A BUT WITH YEAR-TO-DATE FIGURES.

ORIGINATES FROM (SHOW COMPUTER RUN AND/OR MAIN FILE FROM WHICH DATA IS DEVELOPED AND SPAN OF TIME COVERED OR AGE OF DATA)  
 INFORMATION IS EXTRACTED FROM THE MONTHLY FBI TAPE.

NO. COPIES \_\_\_\_\_ FREQUENCY ISSUED  
 DAILY  WEEKLY  MONTHLY

DESIGN FORMAT APPROVED BY \_\_\_\_\_ DATE \_\_\_\_\_ RELEASE PERIOD \_\_\_\_\_

COPY DISTRIBUTION

SENT TO	RETENTION	DISPOSITION
1 REQUESTING AGENCY (2)		
2 FILE (1)		
3		
4		
5		
6		

COMMENTS

INDEX NUMBER  
 CF001-07

DETAILED EXPLANATION OF DATA (WHEN PRINTED CAPTIONS ARE NOT SELF EXPLANATORY)

- THIS REPORT DISPLAYS IN ARRAY FORM:
- a. OFFENSES REPORTED OR KNOWN TO POLICE.
  - b. UNFOUNDED, FALSE OR BASELESS COMPLAINTS.
  - c. NUMBER OF ACTUAL OFFENSES.
  - d. NUMBER OF OFFENSES CLEARED BY ARREST.
- FOR THE FOLLOWING OFFENSES:
- a. CRIMINAL HOMICIDE.
  - b. FORCIBLE RAPE.
  - c. ROBBERY.
  - d. ASSAULT.
  - e. BURGLARY.
  - f. LARCENY.
  - g. AUTO THEFT.
  - h. TOTAL.

PAGES 2, 3 AND 4 OF CF001 REPRESENT VALUES OF PROPERTY STOLEN AND RECOVERED WITH REGARD TO THE OFFENSES ENUMERATED IN PAGE 1.

CONTINUE ON REVERSE SIDE

KANSAS CITY MISSOURI POLICE DEPARTMENT  
RETURN A  
RETURN OF OFFENSES KNOWN TO THE POLICE

CLASSIFICATION OF OFFENSES	OFFENSES REPORTED OR KNOWN TO POLICE	UNFOUNDED FALSE OR BASELESS COMPLAINTS	NUMBER OF ACTUAL OFFENSES	NUMBER OF OFFENSES CLEARED BY ARREST	
				TOTAL	UNDER 18
1. CRIMINAL HOMICIDE					
A. MURDER & NONNEGLIGENT MANSLAUGHTER	7	1	6	7	0
B. MANSLAUGHTER BY NEGLIGENCE	9	5	4	4	0
2. FORCIBLE RAPE TOTAL	16	0	16	7	0
A. RAPE BY FORCE	14	0	14	6	0
B. ASSAULT TO RAPE - ATTEMPTS	2	0	2	1	0
3. ROBBERY TOTAL	222	1	221	50	13
A. ARMED - ANY WEAPON	149	1	148	36	10
B. STRONGARM - NO WEAPON	73	0	73	14	3
4. ASSAULT TOTAL	181	0	181	131	12
A. GUN	36	0	36	21	1
B. KNIFE OR CUTTING INSTRUMENT	33	0	33	27	3
C. OTHER DANGEROUS WEAPON	36	0	36	25	2
D. HANDS, FEET, ETC. - AGGRAVATED	12	0	12	10	0
E. OTHER ASSAULTS - NOT AGGRAVATED	64	0	64	48	6
5. BURGLARY TOTAL	835	22	813	225	98
A. FORCIBLE ENTRY	626	7	619	172	72
B. UNLAWFUL ENTRY - NO FORCE	170	14	156	36	22
C. ATTEMPTED FORCIBLE ENTRY	39	1	38	17	4
6. LARCENY - THEFT (EXCEPT AUTO THEFT)	1,105	13	1,092	281	113
A. \$50 AND OVER IN VALUE	490	4	486	65	17
B. UNDER \$50 IN VALUE	615	9	606	216	96
7. AUTO THEFT	345	33	312	71	57
GRAND TOTAL	2,720	75	2,645	776	293

TOTAL ARRESTS FOR ALL OFFENSES EXCEPT TRAFFIC - ADULTS 1920 JUVENILES 472

DATE JANUARY 10, 1973

PREPARED BY \_\_\_\_\_

DECEMBER 1972

CHIEF \_\_\_\_\_

KANSAS CITY MISSOURI POLICE DEPARTMENT  
SUPPLEMENT TO RETURN A PAGE 1  
RETURN OF OFFENSES KNOWN TO THE POLICE

PROPERTY BY TYPE AND VALUE

TYPE OF PROPERTY (1)	VALUE OF PROPERTY STOLEN IN YOUR CITY	
	(2) STOLEN	(3) RECOVERED
A. CURRENCY, NOTES, ETC.	80,155.00	1,770.00
B. JEWELRY AND PRECIOUS METALS	49,020.00	1,601.00
C. FURS	7,978.00	.00
D. CLOTHING	41,961.00	3,599.00
E. LOCALLY STOLEN AUTOMOBILES	308,900.00	312,865.00
F. MISCELLANEOUS	287,963.00	25,802.00
TOTALS	775,977.00	345,637.00

TRAFFIC ENFORCEMENT SUMMARY

HAZARDOUS VIOLATIONS	5,365	DRIVING WHILE INTOXICATED	534
OTHER VIOLATIONS	1,843	HIT AND RUN	65
PARKING (EXCEPT METER)	6,012	ARRESTS, CITATIONS OR	
TOTAL TRAFFIC	15,248	CUSTODY AT ACCIDENTS	1,484
PARKING METER VIOLATIONS	2,028		

DECEMBER 1972

KANSAS CITY MISSOURI POLICE DEPARTMENT

INDEX  
OF

INDEX NUMBER  
CE901-09

KANSAS CITY MISSOURI POLICE DEPARTMENT  
 SUPPLEMENT TO RETURN A PAGE 2

ADDITIONAL ANALYSIS OF LARCENY AND AUTO THEFT	NUMBER OF ACTUAL OFFENSES	VALUE OF PROPERTY STOLEN
3. ROBBERY	132	23,655.00
(A) HIGHWAY (STREETS, ALLEY, ETC.)	21	8,078.00
(B) COMMERCIAL HOUSE (EXCEPT C,D,F)	9	1,604.00
(C) GAS OR SERVICE STATION	16	1,419.00
(D) CHAIN STORE	29	4,810.00
(E) RESIDENCE	0	0.00
(F) BANK	14	3,086.00
(G) MISCELLANEOUS	221	42,652.00
TOTAL - ROBBERY		
5. BURGLARY - BREAKING OR ENTERING	613	214,067.00
(A) RESIDENCE (DWELLING)	146	57,249.00
(1) NIGHT	245	65,774.00
(2) DAY	222	91,044.00
(3) UNKNOWN	200	55,724.00
(B) NONRESIDENCE (STORE, OFFICE ETC.)	101	26,698.00
(1) NIGHT	16	1,799.00
(2) DAY	83	27,227.00
(3) UNKNOWN	813	269,791.00
TOTAL BURGLARY		
6. LARCENY - THEFT	486	166,027.00
(A) \$50 AND OVER	400	8,948.00
(B) \$5 TO \$50	206	301.00
(C) UNDER \$5	1,092	175,276.00
TOTAL - LARCENY		
7. AUTO THEFT (INCLUDE ALLEGED JOY RIDE)	312	288,258.00
GRAND TOTAL	2,438	775,977.00

DECEMBER 1972

KANSAS CITY MISSOURI POLICE DEPARTMENT

KANSAS CITY MISSOURI POLICE DEPARTMENT  
 SUPPLEMENT TO RETURN A PAGE 3

ADDITIONAL ANALYSIS OF LARCENY AND AUTO THEFT	NUMBER OF ACTUAL OFFENSES	VALUE OF PROPERTY STOLEN
6X. NATURE OF LARCENIES UNDER ITEM 6		
(A) POCKET-PICKING	10	989.00
(B) PURSE-SNATCHING	37	1,685.00
(C) SHOPLIFTING	234	6,805.00
(D) FROM AUTOS (EXCEPT E)	202	52,538.00
(E) AUTO PARTS AND ACCESSORIES	288	21,726.00
(F) BICYCLES	12	645.00
(G) FROM BUILDINGS (EXCEPT C,H)	217	63,479.00
(H) FROM ANY COIN OPERATED MACHINES (PARKING METERS ETC.)	20	720.00
(I) ALL OTHER	72	26,689.00
TOTAL - LARCENIES	1,092	175,276.00
7X. AUTOMOBILES RECOVERED		
(A) NUMBER STOLEN LOCALLY AND RECOVERED LOCALLY		259
(B) NUMBER STOLEN LOCALLY AND RECOVERED BY OTHER		28
(C) TOTAL LOCALLY STOLEN AUTOS RECOVERED		287
(D) NUMBER STOLEN OUT OF TOWN, RECOVERED LOCALLY		27

DECEMBER 1972

KANSAS CITY MISSOURI POLICE DEPARTMENT

CHIEF \_\_\_\_\_

INDEX  
 CP 001

INDEX NUMBER  
 CP 001-11



SECTION

OFFENSE PROGRAMS

PROGRAMMING DOCUMENTATION

DATE ISSUED

DATE REVISED

January 16, 1973

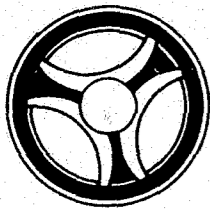
PROGRAM TITLE: CLEARANCES BY AGE AND RACE

DATE OPERATIONAL: January 16, 1973

PURPOSE: To produce a monthly listing of the Part I offenses that were cleared, broken down by age and race of person arrested.

INDEX NUMBER  
CF004-01





PROGRAMMING DOCUMENTATION

SECTION

OFFENSE PROGRAMS

DATE ISSUED

January 16, 1973

DATE REVISED



PROGRAMMING DOCUMENTATION

SECTION

OFFENSE PROGRAMS

DATE ISSUED

January 16, 1973

DATE REVISED

I. PROGRAM NARRATIVE

Input to this program is the monthly offense tape (CF014T1) and a random access disk file entitled Code File which is used to expand certain numeric codes to meaningful data. The tape is read and counts of all Part I offenses by the age and race of the person arrested are loaded into a double subscripted table. The output is a single page listing of the accumulated counts. This program is run for all agencies participating in the ALERT System that enter offense data.

II. DETAILED DESCRIPTION

The accumulation table and various counters are set to zero and spaces are moved to work areas. A date card is accepted and the date is moved to the appropriate work area. The first input record is read from the tape.

CK-AGY moves the agency code within the tape record to the nominal key of the code file and causes a READ to be performed. The code file contains the expanded name of the agency and this in turn is moved to a header area. The agency code from the record just read is moved to a save area for later comparison. Control is transferred to CK-REC-TYP.

READ-IN reads the tape and compares the agency code against the previously saved agency code and if different control is transferred to the print routine. Otherwise control falls through to the following paragraph.

CK-REC-TYP selects the correct records from the tape to secure the counts needed. Control is transferred from this paragraph to various other paragraphs based upon the type of record read.

SET-SUBSCRIPT sets the vertical subscript of the count table to the correct value based upon the offense code encountered in the record.

SET-HORIZONTAL sets the correct value in the horizontal subscript based upon the age of the person arrested.

SET-RACE sets a switch to one of two values based upon whether the race of the individual arrested was white or other than white.

ADD-IT makes additions to the subscripted table.

SUBTRACT-IT causes subtractions to be made from the subscripted table.

OUTPUT-ROUTING causes the various headings to be printed on the listing.

MOVE-IT moves the correct expanded offense to the header area.

MOVE-IT-TWO causes the vertical and horizontal pointers to be set at the beginning of the count table.

PRINT-IT prints a single line of figures from the table and increments the vertical and horizontal subscriptors for the next line.

END-IT checks the agency code to determine if the last agency is being processed.

T-ROUT, ET-ROUT are performed paragraphs which calculate the amount of computer time that was taken for each individual agency's report to be produced.

CK-END checks a switch to determine if the last record has been read and if so transfers control to STOP-JOB. Otherwise it resets the subscripted table and various counters back to the value of zero and transfers control back to the READ paragraph.

STOP-JOB closes the input file, the code file and the output file.

ADD-1 displays the amount of time that was taken for each agency's run upon the console.

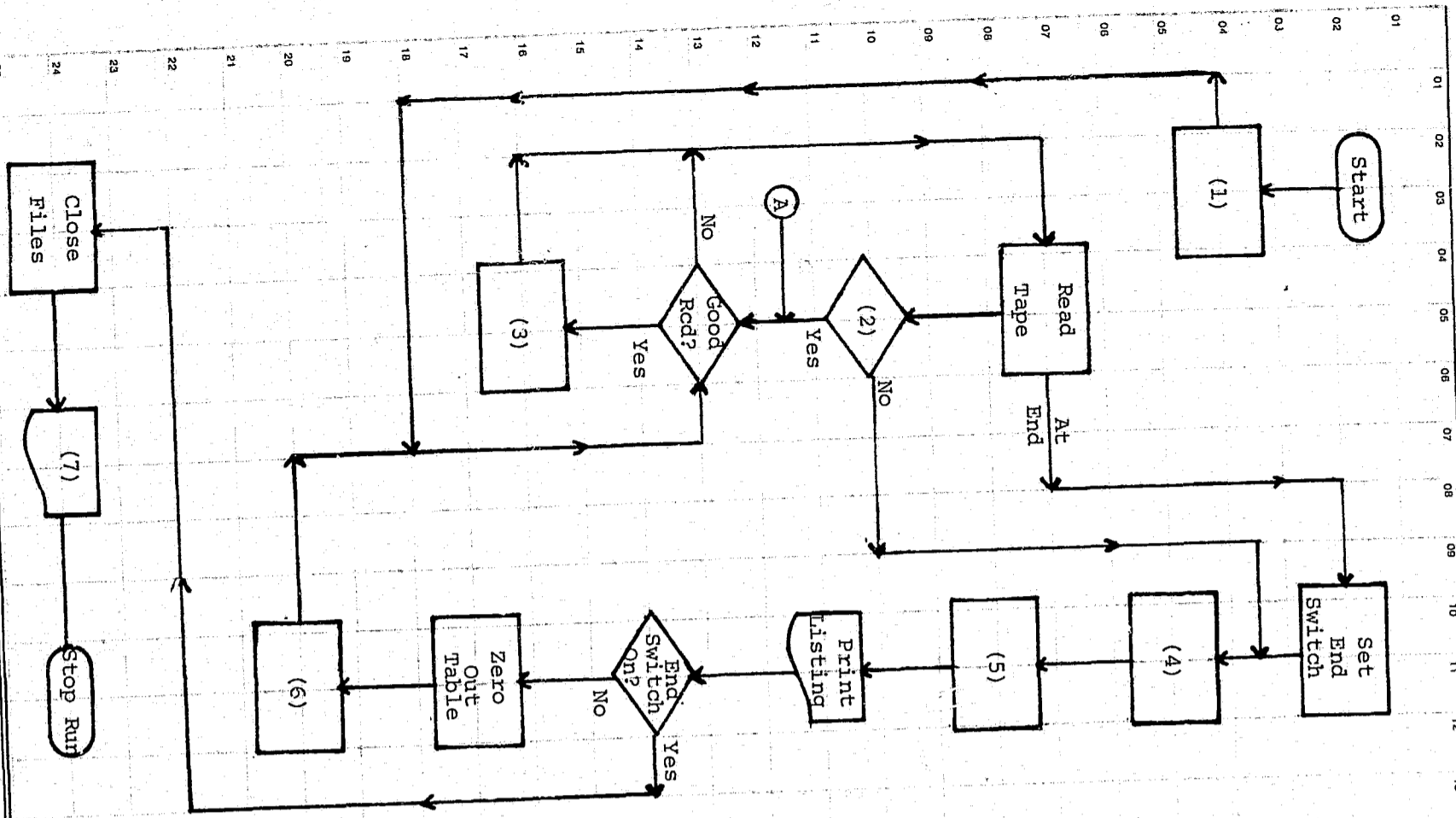
CK-SWY resets the time counters to zero at the end of each agency's run and causes T-ROUT and ET-ROUT to perform the time calculation.

STOP-RUN displays a normal end of job message upon the console.

INDEX NUMBER  
CF004-INDEX NUMBER  
CF004-03

FLOWCHART

DESCRIPTION



(1) Housekeeping, Accept Date Card, Read First Record, and Save The Agency Code.

(2) Does Agency Code Equal Saved Agency?

(3) Add to Subscripted Table.

(4) Calculate Amount of Computer Time Spent Agency Being Processed And Move to Save Area.

(5) Set Subscript Pointer To Beginning of Table.

(6) Move New Agency Code To Save Area.

(7) Print Saved Computer Time for Each Agency.

NEW  REVISION—SHOW WHY IN 'COMMENTS'

System No. \_\_\_\_\_ System Title: \_\_\_\_\_ Revision Date: \_\_\_\_\_ Revised By: \_\_\_\_\_  
 Date Prepared: \_\_\_\_\_ Prepared By: \_\_\_\_\_  
 Date Approved: \_\_\_\_\_ Approved By: \_\_\_\_\_

TITLE OF REPORT OR LISTING  
**PART I OFFENSES CLEARED BY AGE AND RACE OF PERSON ARRESTED CF004L1**

PURPOSE OR FUNCTION IT SERVES  
 THIS REPORT RENDERS INFORMATION REGARDING CLEARANCE OF PART I OFFENSES AND THOSE SUSPECTS CHARGED WITH THOSE OFFENSES. INFORMATION IS FOR INTERNAL USE AS WELL AS MANUAL CREATION OF KANSAS BUREAU OF INVESTIGATION STATISTICS.

ORIGINATES FROM (SHOW COMPUTER RUN AND/OR MAIN FILE FROM WHICH DATA IS DEVELOPED AND SPAN OF TIME COVERED OR AGE OF DATA)  
 THIS REPORT IS EXTRACTED FROM THE MONTHLY OFFENSE TAPE.

NO. COPIES \_\_\_\_\_ FREQUENCY ISSUED  DAILY  WEEKLY  MONTHLY

DESIGN FORMAT APPROVED BY \_\_\_\_\_ DATE \_\_\_\_\_ RELEASE PERIOD \_\_\_\_\_

DETAILED EXPLANATION OF DATA (WHEN PRINTED CAPTIONS ARE NOT SELF EXPLANATORY)

THIS REPORT DISPLAYS IN ARRAY FORM PART I OFFENSES CLEARED BY AGE AND RACE OF PERSONS ARRESTED FOR INDIVIDUAL PART I CRIMES OF:

- a. MURDER AND NON-NEGLIGENT MANSLAUGHTER.
- b. MANSLAUGHTER BY NEGLIGENCE.
- c. FORCIBLE RAPE.
- d. ATTEMPTED RAPE.
- e. ARMED ROBBERY.
- f. STRONG-ARMED ROBBERY.
- g. AGGRAVATED ASSAULT (GUN).
- h. AGGRAVATED ASSAULT (KNIFE).
- i. AGGRAVATED ASSAULT (HANDS).
- j. AGGRAVATED ASSAULT (OTHER).
- k. OTHER ASSAULTS.
- l. FORCIBLE BURGLARY.
- m. BURGLARY NO FORCE.
- n. BURGLARY ATTEMPT.
- o. LARCENY OVER \$50.
- p. LARCENY UNDER \$50.
- q. AUTO THEFT.
- r. TOTAL.

COPY DISTRIBUTION

SENT TO	RETENTION	DISPOSITION
1 ORIGINATING AGENCY (2)		
2 FILE (1)		
3		
4		
5		
6		

AGES RANGE FROM LOW CLASSIFICATION OF NINE YEARS AND UNDER INCREMENTED BY ONE YEAR UP TO A FINAL CLASSIFICATION OF 25 YEARS AND OVER.

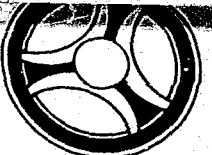
CONTINUE ON REVERSE SIDE

INDEX NUMBER  
**CF004-05**

KANSAS CITY MISSOURI POLICE DEPARTMENT  
 RESTRICTED INFORMATION ----- FOR INTERNAL USE ONLY  
 PART I OFFENSES CLEARED  
 BY AGE AND RACE OF PERSON ARRESTED  
 DECEMBER 1972

OFFENSE	TOTL	9 & CLRED UND	10	11	12	13	14	15	16	17	18	19	20	21	22	23	24	25 & OVER	RACE WHITE	OTHER
MURDER & NON-NEG MANS.	7	0	0	0	0	0	0	0	0	0	0	0	0	0	0	0	0	7	5	2
MANSLAUGHTER BY NEG.	4	0	0	0	0	0	0	0	0	0	0	1	0	0	0	0	0	3	3	1
RAPE (FORCE)	6	0	0	0	0	0	0	0	0	0	2	1	0	0	0	0	0	3	1	5
RAPE (ATTEMPT)	1	0	0	0	0	0	0	0	0	0	0	0	0	0	0	0	0	1	0	1
ROBBERY (ARMED)	36	0	0	0	0	0	1	2	0	7	4	1	2	0	1	3	0	15	10	26
ROBBERY (STRONG-ARM)	14	0	0	0	0	0	0	0	1	2	1	0	1	1	3	1	0	4	6	8
ASSAULT-AGG. (GUN)	21	0	0	0	0	0	0	0	1	0	0	1	0	0	2	0	1	16	6	15
ASSAULT-AGG. (KNIFE)	27	0	1	0	0	0	0	1	0	1	0	0	2	1	0	0	0	21	8	19
ASSAULT-AGG. (HANDS)	10	0	0	0	0	0	0	0	0	0	0	0	0	1	2	1	1	5	5	5
ASSAULT-AGG. (OTHER)	25	1	0	0	1	1	0	0	0	0	1	0	1	3	0	1	2	14	13	12
OTHER ASSAULTS	48	0	0	1	0	0	2	0	1	2	2	0	2	4	0	4	2	28	30	18
BURGLARY (FORCIBLE)	172	0	1	1	0	8	6	9	35	12	2	3	1	0	4	3	2	85	130	42
BURGLARY (NO FORCE)	36	0	0	0	0	1	2	2	16	1	1	1	0	1	0	0	0	11	29	7
BURGLARY (ATTEMPT)	17	0	0	1	0	0	0	1	2	0	1	0	0	0	1	0	0	11	15	2
LARCENY (OVER \$50)	65	0	0	0	0	1	2	0	9	5	0	2	5	3	0	3	2	33	44	21
LARCENY (UNDER \$50)	216	1	3	6	9	10	18	17	13	19	15	5	5	7	5	4	5	74	109	107
AUTO THEFT	71	0	0	0	1	0	16	1	34	5	2	4	0	4	0	0	0	4	50	21
TOTAL	776	2	5	9	11	21	47	33	112	54	31	19	19	25	18	20	15	335	464	312

INDEX  
CF#



PROGRAMMING DOCUMENTATION

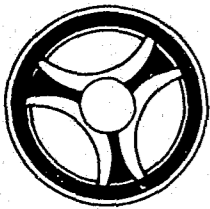
SECTION  
OFFENSE PROGRAMS

DATE ISSUED  
January 16, 1973

DATE REVISED

PROGRAM TITLE: PART I OFFENSES CLEARED AND UNFOUNDED  
 DATE OPERATIONAL: January 16, 1973  
 PURPOSE: To produce a listing of Part I Offenses that have been cleared  
 or unfounded by unit.

INDEX NUMBER  
CF#005-01



PROGRAMMING DOCUMENTATION

SECTION

OFFENSE PROGRAMS

DATE ISSUED

January 16, 1973

DATE REVISED



PROGRAMMING DOCUMENTATION

SECTION

OFFENSE PROGRAMS

DATE ISSUED

January 16, 1973

DATE REVISED

I. PROGRAM NARRATIVE

The input to this program is the monthly offense tape (CFØ14T1). The input tape is read and all Part I offenses that have been cleared or unfounded are loaded into a Sort. The information is sorted by unit within originating agency code. Upon return from the Sort the counts of cleared and unfounded offenses are loaded into a table that is subscripted horizontally by unit and vertically by offense code. The output is a two-page report; the first being counts of the cleared offenses and the second counts of the unfounded offenses.

II. DETAILED DESCRIPTION

The accumulation table and various counters are set to zero and spaces are moved to work areas. A date card is accepted and the Sort file is initiated. The time of day is accepted from the computer and loaded into a save area.

READ-IN reads the input tape and determines if the originating agency code is valid.

CK-RECS checks the record type to insure that it is a statistical record indicating either a cleared or unfounded Part I offense.

REL-REC releases the chosen records to the Sort.

At this point in the program the records are sorted by unit within agency.

RET-RECS returns the first record from the Sort and moves the agency code to the save area. Control is transferred from this paragraph to ADD-TO-TOT.

RETRN-REC returns the records from the Sort.

CK-ORIG compares the agency code in the present record to the saved agency code and if they are not the same control is transferred to the print routine.

VERTICAL-SET determines whether the record is a clearance record or an unfounded record.

ADD-TO-TOT sets the vertical subscriptor based upon the offense code.

LOAD-HORIZONTAL sets the horizontal subscriptor based upon the unit.

ADD-TO-TOTAL, SUBTRACT-UNIT, SUBTRACT-UNFD, ADD-UNFOUNDED, ADD-UNIT, SUBTRACT-IT. These paragraphs combine to increment the table using the vertical and horizontal subscriptors and a numeric subscriptor whose value is based upon whether the crime has been cleared or unfounded.

PRINT-IT, WRITE-HEADINGS, CK-ORI, PERF-HDG combine to expand the originating agency code to a meaningful literal and use this and other information to set up the various headers. The heading routine is then performed.

SET-UP-FIRST-RPT initiates the pointers to the correct location in the table so that the reports can be printed.

PRINT-A-LINE moves the information from the table a line at a time and prints the listing.

HEADING-ROUTINE is a performed paragraph that actually prints the headings on the listing.

END-JOB ascertains if the last agency has been encountered and if so transfers control to the end job routine.

T-ROUT, ET-ROUT, CK-END comprise an intricate time accounting routine that ultimately displays on the computer console the actual amount of computer time that was used during the execution of this program for each individual agency.

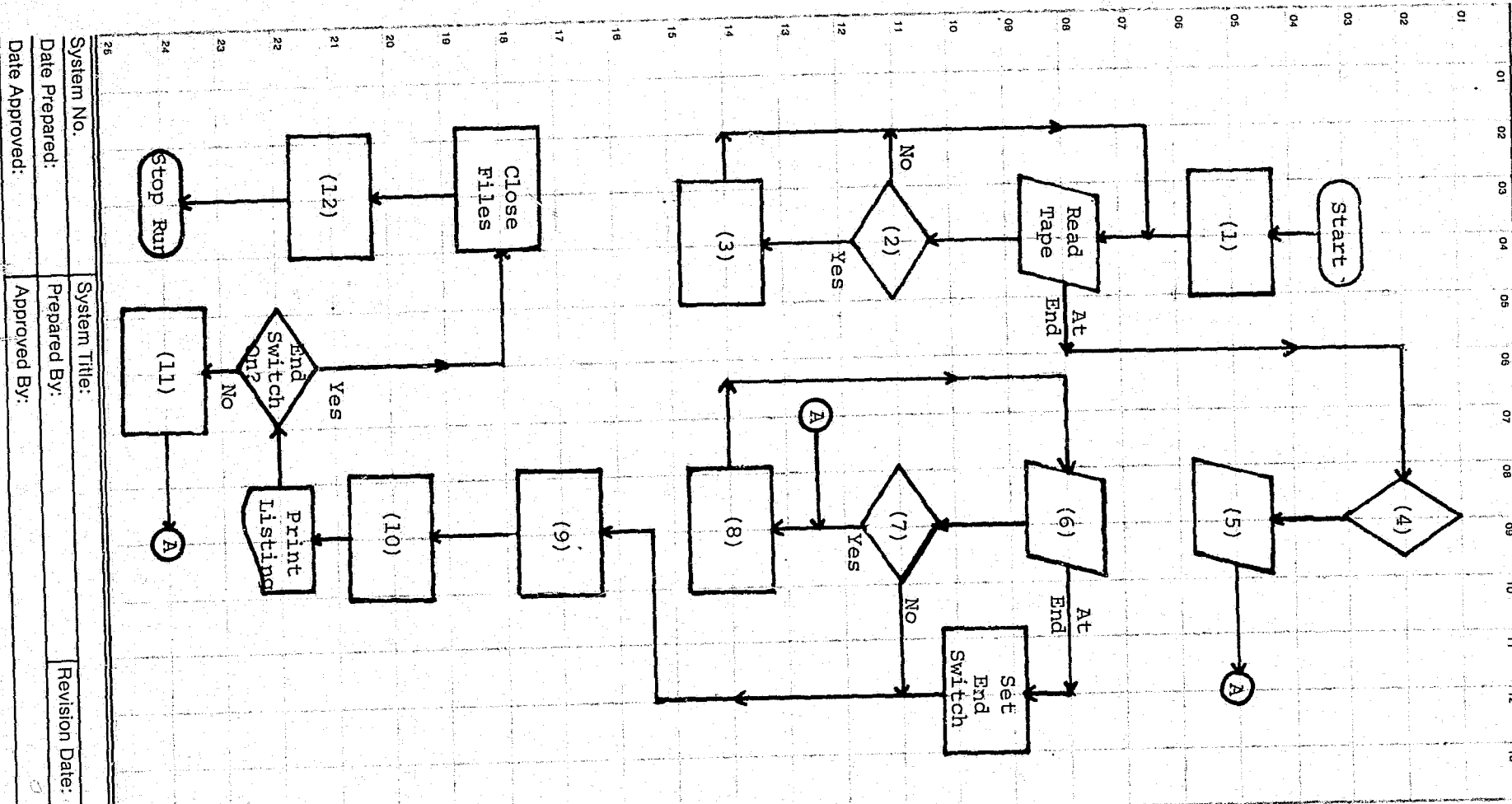
STOP-JOB closes the input and output files.

ADD-1 actually displays the time taken for each agency's run on the console.

CK-SWY is a paragraph that performs T-ROUT and ET-ROUT and moves the results of these performs to various save areas for printing at a later time.

STOP-RUN displays a normal end of job message upon the console.

INDEX NUMBER  
CFØØ5INDEX NUMBER  
CFØØ5-Ø3



- (1) Housekeeping, Accept Date Card, Open Files.
- (2) Agency, Offense, Type Record, and Clearance All Valid?
- (3) Release to Sort.
- (4) Records Sorted by Unit and Agency.
- (5) Return First Record and Save The Agency Code.
- (6) Return Sorted Records.
- (7) Does Agency = Saved Agency?
- (8) Add to Subscripted Table.
- (9) Calculate Amount of Computer Time Spent for Agency Just Processed, and Move To Save Area.
- (10) Set Subscriptors to Beginning of Table.
- (11) Move Agency Code to Save Area and Zero Out Table.
- (12) Display Amount of Computer Time Each Agency Took for Its Portion of Run.

System No. \_\_\_\_\_  
 Date Prepared: \_\_\_\_\_  
 Date Approved: \_\_\_\_\_  
 System Title: \_\_\_\_\_  
 Prepared By: \_\_\_\_\_  
 Approved By: \_\_\_\_\_  
 Revision Date: \_\_\_\_\_  
 Revised By: \_\_\_\_\_  
 INDEX NUMBER  
 CF005-05

NEW  REVISION—SHOW WHY IN 'COMMENTS'

TITLE OF REPORT OR LISTING  
**PART I OFFENSES CLEARED BY UNIT CLEARING CF005L1**

PURPOSE OR FUNCTION IT SERVES  
 THIS REPORT DISPLAYS ALL PART I OFFENSE CLEARANCES ATTRIBUTED TO THOSE UNITS CLEARING THOSE CRIMES.

ORIGINATES FROM (SHOW COMPUTER RUN AND/OR MAIN FILE FROM WHICH DATA IS DEVELOPED AND SPAN OF TIME COVERED OR AGE OF DATA)  
 THIS INFORMATION IS EXTRACTED FROM THE MONTHLY OFFENSE TAPE.

NO. COPIES \_\_\_\_\_ FREQUENCY ISSUED  DAILY  WEEKLY  MONTHLY

DESIGN FORMAT APPROVED BY \_\_\_\_\_ DATE \_\_\_\_\_ RELEASE PERIOD \_\_\_\_\_

COPY DISTRIBUTION

SENT TO	RETENTION	DISPOSITION
1 ORIGINATING AGENCY (2)		
2 FILE (1)		
3		
4		
5		
6		

COMMENTS

INDEX NUMBER  
 CF005-05

DETAILED EXPLANATION OF DATA (WHEN PRINTED CAPTIONS ARE NOT SELF EXPLANATORY)

THIS REPORT DISPLAYS IN ARRAY FORM THE FOLLOWING PART I CRIMES:

- a. MURDER AND NON-NEGLIGENT MANSLAUGHTER.
- b. MANSLAUGHTER BY NEGLIGENCE.
- c. FORCIBLE RAPE.
- d. ATTEMPTED RAPE.
- e. ARMED ROBBERY.
- f. STRONG-ARMED ROBBERY.
- g. ASSAULT AGGRAVATED (GUN).
- h. ASSAULT AGGRAVATED (KNIFE).
- i. ASSAULT AGGRAVATED (HANDS).
- j. ASSAULT AGGRAVATED (OTHER).
- k. OTHER ASSAULTS.
- l. BURGLARY (FORCIBLE).
- m. BURGLARY (NO FORCE).
- n. BURGLAR (ATTEMPTED).
- o. LARCENY OVER \$50.
- p. LARCENY UNDER \$50.
- q. AUTO THEFT.
- r. TOTAL.

THESE OFFENSES ARE BROKEN DOWN BY TOTAL REPORTED INCIDENTS, UNFOUNDED INCIDENTS, ACTUAL OFFENSES AND CLEARANCES REPORTED BY THE FOLLOWING UNITS:

- a. CRIMES AGAINST PROPERTY.
- b. CRIMES AGAINST PERSON.
- c. GENERAL ASSIGNMENT UNIT.
- d. WATCH 1 ZONE 1 PATROL.
- e. WATCH 1 ZONE 2 PATROL.
- f. WATCH 1 ZONE 3 PATROL.
- g. WATCH 2 ZONE 1 PATROL.
- h. WATCH 2 ZONE 2 PATROL.
- i. WATCH 2 ZONE 3 PATROL.
- j. WATCH 3 ZONE 1 PATROL.
- k. WATCH 3 ZONE 2 PATROL.
- l. WATCH 3 ZONE 3 PATROL.
- m. SPECIAL OPERATIONS.
- n. YOUTH AND WOMEN DIVISION

CONTINUE ON REVERSE SIDE

DESCRIPTION OF COMPUTER REPORT OR LISTING

NEW  REVISION—SHOW WHY IN 'COMMENTS'

DATE	ID NO.
------	--------

TITLE OF REPORT OR LISTING PART I OFFENSES CLEARED BY UNIT CLEARING CF005L1		
PURPOSE OR FUNCTION IT SERVES		
ORIGINATES FROM (SHOW COMPUTER RUN AND/OR MAIN FILE FROM WHICH DATA IS DEVELOPED AND SPAN OF TIME COVERED OR AGE OF DATA)		
NO. COPIES	FREQUENCY ISSUED <input type="checkbox"/> DAILY <input type="checkbox"/> WEEKLY <input type="checkbox"/> MONTHLY <input type="checkbox"/>	
DESIGN FORMAT APPROVED BY	DATE	RELEASE PERIOD

DETAILED EXPLANATION OF DATA (WHEN PRINTED CAPTIONS ARE NOT SELF EXPLANATORY)

o. WARRANT CONTROL DIVISION.  
p. OTHER UNIT.  
q. TOTAL CLEARANCES.

COPY DISTRIBUTION

SENT TO	RETENTION	DISPOSITION
1		
2		
3		
4		
5		
6		

COMMENTS

INDEX  
CF005-07

RESTRICTED INFORMATION — KANSAS CITY, MISSOURI, POLICE DEPARTMENT — FOR INTERNAL USE ONLY  
MONTHLY REPORT OF PART I OFFENSES CLEARED  
DECEMBER 1972

UNIT CLEARING

	TOTL REP.	ACT. UNF.	C.A. OFF.	C.A. PRO.	C.A. PER.	GAU	W1 Z1	W1 Z2	W1 Z3	W2 Z1	W2 Z2	W2 Z3	W3 Z1	W3 Z2	W3 Z3	SP. OPR.	Y&W DIV.	WCD	OTH.	TOTL CLR.
MURDER & NON-NEG MANS.	7	1	6	0	2	0	2	0	0	1	0	0	1	1	0	0	0	0	0	7
MANSLAUGHTER BY NEG.	9	5	4	0	0	0	0	0	0	0	0	0	0	0	0	4	0	0	0	4
RAPE (FORCE)	14	0	14	0	4	0	0	0	0	1	0	0	0	1	0	0	0	0	0	6
RAPE (ATTEMPT)	2	0	2	0	1	0	0	0	0	0	0	0	0	0	0	0	0	0	0	1
ROBBERY (ARMED)	149	1	148	1	13	0	1	0	1	4	2	4	2	2	2	4	0	0	0	36
ROBBERY (STRONG-ARM)	73	0	73	1	6	0	0	0	0	0	2	0	2	0	1	2	0	0	0	14
ASSAULT-AGG. (GUN)	36	0	36	0	4	0	2	0	2	3	0	2	4	0	4	0	0	0	0	21
ASSAULT-AGG. (KNIFE)	33	0	33	0	9	0	2	1	0	2	0	0	6	1	6	0	0	0	0	27
ASSAULT-AGG. (HANDS)	12	0	12	0	5	0	1	1	0	0	0	1	1	0	1	0	0	0	0	10
ASSAULT-AGG. (OTHER)	36	0	36	0	10	0	0	1	3	2	1	1	3	0	1	1	2	0	0	25
OTHER ASSAULTS	64	0	64	0	6	0	0	1	6	3	2	2	5	8	14	0	1	0	0	48
BURGLARY (FORCIBLE)	626	7	619	128	0	1	3	2	2	11	6	3	2	6	3	5	0	0	0	172
BURGLARY (NO FORCE)	170	14	156	26	0	0	0	0	0	2	1	2	1	1	3	0	0	0	0	36
BURGLARY (ATTEMPT)	39	1	38	11	0	0	1	1	0	0	0	1	0	0	3	0	0	0	0	17
LARCENY (OVER \$50)	490	4	486	29	2	2	0	1	1	7	5	6	5	3	4	0	0	0	0	65
LARCENY (UNDER \$50)	615	9	606	20	0	0	0	1	1	30	30	28	31	42	30	1	2	0	0	216
AUTO THEFT	345	33	312	57	0	0	2	0	0	2	3	2	2	2	0	1	0	0	0	71
TOTAL	2720	75	2645	273	62	3	14	9	16	68	52	52	65	67	72	18	5	0	0	776

INDEX NUMBER  
CF005-07

KANSAS CITY MISSOURI POLICE DEPARTMENT  
 RESTRICTED INFORMATION ----- FOR INTERNAL USE ONLY  
 MONTHLY REPORT OF PART 1 OFFENSES CLEARED  
 DECEMBER 1972

UNFOUNDED REPORTS

	TOTL REP.	ACT. UNF.	C.A. OFF.	C.A. PRO.	C.A. PER.	GAU	W1 Z1	W1 Z2	W1 Z3	W2 Z1	W2 Z2	W2 Z3	W3 Z1	W3 Z2	W3 Z3	SP. OPR.	Y&W DIV.	WCD	OTH.	TOTL UNFD	
MURDER & NON-NEG MANS.	7	1	6	0	1	0	0	0	0	0	0	0	0	0	0	0	0	0	0	0	1
MANSLAUGHTER BY NEG.	9	5	4	0	0	0	0	0	0	0	0	0	0	0	0	0	5	0	0	0	5
RAPE (FORCE)	14	0	14	0	0	0	0	0	0	0	0	0	0	0	0	0	0	0	0	0	0
RAPE (ATTEMPT)	2	0	2	0	0	0	0	0	0	0	0	0	0	0	0	0	0	0	0	0	1
ROBBERY (ARMED)	149	1	148	0	1	0	0	0	0	0	0	0	0	0	0	0	0	0	0	0	0
ROBBERY (STRONG-ARM)	73	0	73	0	0	0	0	0	0	0	0	0	0	0	0	0	0	0	0	0	0
ASSAULT-AGG. (GUN)	36	0	36	0	0	0	0	0	0	0	0	0	0	0	0	0	0	0	0	0	0
ASSAULT-AGG. (KNIFE)	33	0	33	0	0	0	0	0	0	0	0	0	0	0	0	0	0	0	0	0	0
ASSAULT-AGG. (HANDS)	12	0	12	0	0	0	0	0	0	0	0	0	0	0	0	0	0	0	0	0	0
ASSAULT-AGG. (OTHER)	36	0	36	0	0	0	0	0	0	0	0	0	0	0	0	0	0	0	0	0	0
OTHER ASSAULTS	64	0	64	0	0	0	0	0	0	0	0	0	0	0	0	0	0	1	0	0	7
BURGLARY (FORCIBLE)	626	7	619	6	0	0	0	0	0	0	0	0	0	0	0	0	0	0	0	0	14
BURGLARY (NO FORCE)	170	14	156	13	0	1	0	0	0	0	0	0	0	0	0	0	0	0	0	0	1
BURGLARY (ATTEMPT)	39	1	38	1	0	0	0	0	0	0	0	0	0	0	0	0	0	0	0	0	4
LARCENY (OVER \$50)	490	4	486	4	0	0	0	0	0	0	0	0	0	0	0	0	0	0	0	0	9
LARCENY (UNDER \$50)	615	9	606	8	0	0	0	0	0	1	0	0	0	0	0	0	0	0	0	0	33
AUTO THEFT	345	33	312	32	1	0	0	0	0	0	0	0	0	0	0	0	0	0	0	0	75
<b>TOTAL</b>	<b>2720</b>	<b>75</b>	<b>2645</b>	<b>64</b>	<b>3</b>	<b>1</b>	<b>0</b>	<b>0</b>	<b>0</b>	<b>1</b>	<b>0</b>	<b>0</b>	<b>0</b>	<b>0</b>	<b>0</b>	<b>5</b>	<b>1</b>	<b>0</b>	<b>0</b>	<b>0</b>	<b>75</b>

INDEX  
CF005



PROGRAMMING DOCUMENTATION

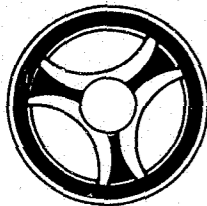
PROGRAM TITLE: CLEARED OFFENSES  
 DATE OPERATIONAL: January 16, 1973  
 PURPOSE: CF006 creates a listing of offenses cleared.

SECTION  
OFFENSE PROGRAMS

DATE ISSUED  
January 16, 1973

DATE REVISED

INDEX NUMBER  
CF006-01



PROGRAMMING DOCUMENTATION

SECTION

OFFENSE PROGRAMS

DATE ISSUED

January 16, 1973

DATE REVISED



PROGRAMMING DOCUMENTATION

SECTION

OFFENSE PROGRAMS

DATE ISSUED

January 16, 1973

DATE REVISED

I. PROGRAM NARRATIVE

CF006 creates a listing of offense cleared. Each offense is listed that was cleared, the date the offense occurred, how it was cleared and what unit cleared it.

Input is monthly offense tape, output is a listing.

II. DETAILED DESCRIPTION

The time of day is accepted from the computer and loaded into a work area. Various work areas are zeroed or spaced out. The input file tape CF014T1 is opened as is the output print file. The date is accepted from a control card.

SORT-RECS sets up the Sort file, indicates the input and output procedures, checks end of file switch and displays end message upon console.

SORT-RECORDS checks the first input record read.

READ-CF000 reads the input tape CF014T1 and checks for a valid agency. If the agency read is invalid it returns to read another record, otherwise it falls through to the next paragraph.

CK-AGY reads the code file to see if the agency in question received this report and if so moves a literal to the header indicating the correct agency. If it is an invalid agency it returns to read another input record.

CK-RECPYP checks for an offense record that is either a reported offense or a clearance and if neither returns to read another tape record.

FOUND-ONE-WHOOPEE-DING-DA-DOO checks the how-cleared code on the tape record for one of seven acceptable clearance codes, and if unable to find one goes back and reads another tape record.

IST checks the offense code field in a tape record for selected offenses. If none of the predetermined selected offenses are found it moves "all other offenses" to data line.

IHTS builds a Sort record with all the predefined collected data.

WRITE-REPORT checks to see that at least one good record has been released to the Sort.

HEADERS-BABY-YOU-GOT-IT writes the heading at the top of the page on the listing.

RETURN-THE-DARN-RECORDS returns the Sorted records and checks for the correct Kansas City, Missouri Police Department Unit. If a valid unit is found the program falls through to the next paragraph, if not it moves "unknown" to data line.

MV-EXP-UNIT moves the expanded unit literal to the data line and prints the record.

HELL, T-ROUT, ET-ROUT, CK-END, ADD-1, CK-SWY produce a console listing of execution time of this program broken down by individual agencies.

STOP-JOB closes the input and output file.

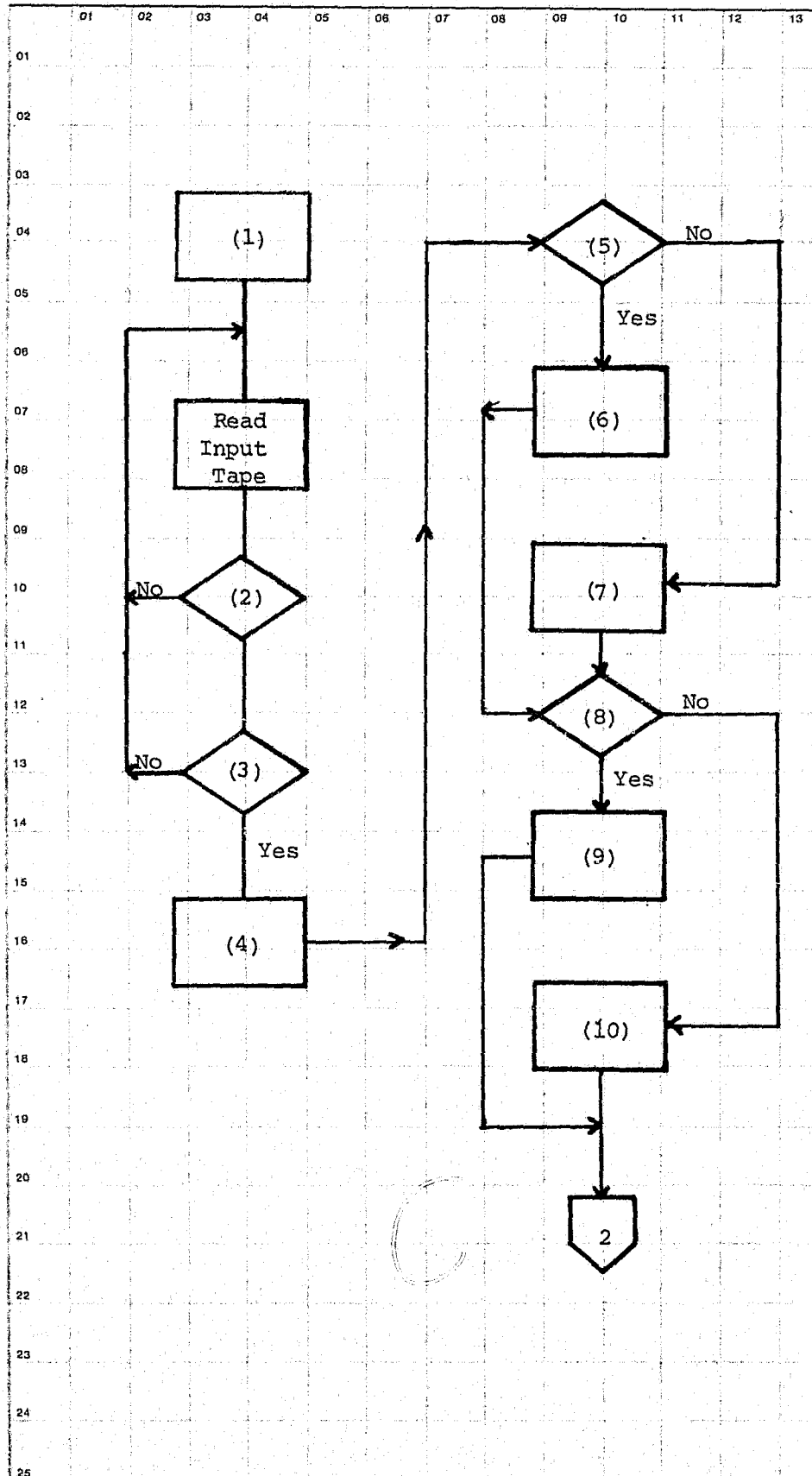
INDEX NUM.  
CF006-1

INDEX NUMBER  
CF006-03



FLOWCHART

DESCRIPTION



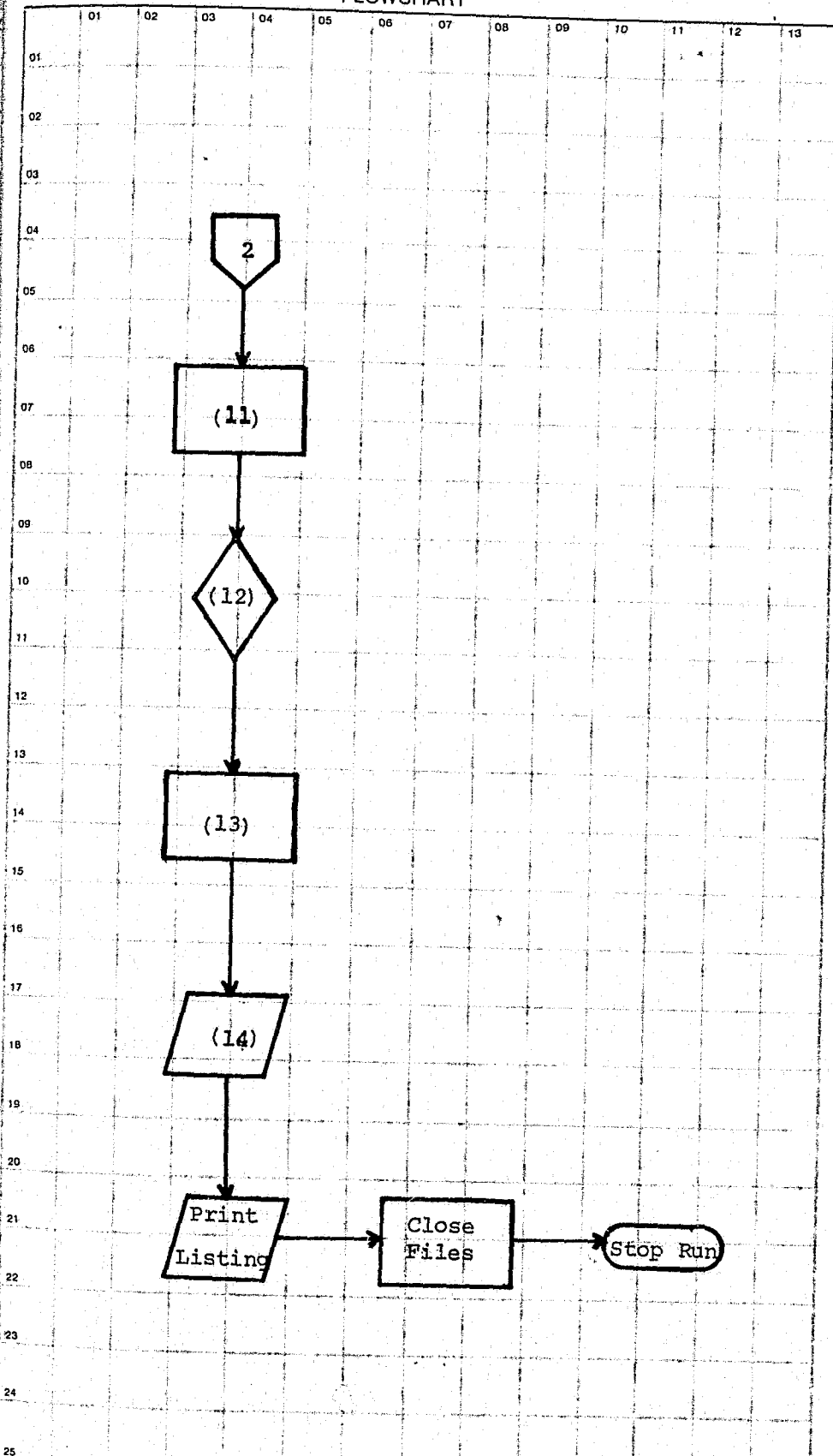
- (1) Housekeeping. Open files. Accept Control Card.
- (2) Correct Record Type?
- (3) Is How Cleared equal to
  - a. Unfounded
  - b. Suicide
  - c. Double Murder
  - d. Deathbed Confession
  - e. Offender Dead
  - f. Cleared by Arrest
  - g. Exceptional Clearance
- (4) Move Literal (#1) to Data Line.
- (5) Is Offense Code Valid?
- (6) Move Literal-corresponding to offense code to Data Line.
- (7) Move "All Other Offense" to Data Line.
- (8) Is Unit Clearing Code Valid?
- (9) Move Correct Unit Literal to Data Line.
- (10) Move "Other Unit" to Data Line.

System No.	System Title:	Revision Date:	Revised By:
Date Prepared:	Prepared By:		
Date Approved:	Approved By:		

INDEX NUMBER  
CF 006-04

FLOWCHART

DESCRIPTION



- (11) Move Complaint number and date to Data Line.
- (12) Release Data Line to Sort Record and Sort in Change Code Sequence.
- (13) Write Headers, Page number, etc.
- (14) Return Sorted Records.

System No.	System Title:	Revision Date:	Revised By:
Date Prepared:	Prepared By:		
Date Approved:	Approved By:		

INDEX NUMBER  
CF 006-05

DESCRIPTION OF COMPUTER REPORT OR LISTING

NEW  REVISION - SHOW WHY IN COMMENTS

TITLE OF REPORT OR LISTING  
MONTHLY REPORT OF OFFENSES CLEARED CF006L1

PURPOSE OR FUNCTION IT SERVES  
THIS REPORT PROVIDES INFORMATION TO COMMAND STAFF PERSONNEL USED TO DETERMINE THE NUMBER OF MONTHLY OFFENSES CLEARED, AND WHICH UNIT WAS RESPONSIBLE FOR THE CLEARANCE.

ORIGINATES FROM (SHOW COMPUTER RUN AND/OR MAIN FILE FROM WHICH DATA IS DEVELOPED AND SPAN OF TIME COVERED OR AGE OF DATA)  
THE INFORMATION NECESSARY TO PRODUCE THIS REPORT IS EXTRACTED FROM THE MONTHLY OFFENSE TAPE (CF014T1).

NO. COPIES  DAILY  WEEKLY  MONTHLY

DESIGN FORMAT APPROVED BY \_\_\_\_\_ DATE \_\_\_\_\_ RELEASE PERIOD \_\_\_\_\_

COPY DISTRIBUTION

SENT TO	RETENTION	DISPOSITION
1		
2		
3		
4		
5		
6		

1 TWO (2) COPIES SENT TO DATA CONTROL.  
2 ONE (1) COPY TO FILE, AND THE OTHER  
3 XEROXED AND DISTRIBUTED TO APPROPRIATE  
4 COMMAND STAFF PERSONNEL.

COMMENTS

INDEX  
CF0

DATE

ID NO.

DETAILED EXPLANATION OF DATA (WHEN PRINTED CAPTIONS ARE NOT SELF EXPLANATORY)

THIS REPORT LISTS ALL THE OFFENSES THAT WERE CLEARED IN A SINGLE MONTH REGARDLESS OF WHEN THE OFFENSE OCCURRED. THE INFORMATION IS SORTED BY OFFENSE CODE AND EACH INDIVIDUAL OCCURRENCE IS LISTED WITH THE FOLLOWING INFORMATION INCLUDED:

COMPLAINT NUMBER  
OFFENSE  
DATE OCCURRED  
HOW THE OFFENSE WAS CLEARED  
POLICE DEPARTMENT UNIT RESPONSIBLE FOR THE CLEARANCE

006L1

KANSAS CITY MISSOURI POLICE DEPARTMENT  
RESTRICTED INFORMATION - FOR INTERNAL USE ONLY  
MONTHLY REPORT OF OFFENSES CLEARED  
DECEMBER 1972

PAGE 1

COMPLAINT NUMBER	OFFENSE	DATE OCCURRED	HOW CLEARED	CLEARED BY (UNIT)
004238	CRIM HOMICIDE	11/11/72	CLEARED BY ARREST	WATCH 1 ZONE 1
009756	CRIM HOMICIDE	12/01/72	CLEARED BY ARREST	WATCH 1 ZONE 1
016856	CRIM HOMICIDE	12/24/72	CLEARED BY ARREST	WATCH 2 ZONE 1
014460	CRIM HOMICIDE	12/16/72	CLEARED BY ARREST	WATCH 3 ZONE 1
016702	CRIM HOMICIDE	12/23/72	EXCEPT. CLEARANCE	WATCH 3 ZONE 2
009464	CRIM HOMICIDE	11/30/72	CLEARED BY ARREST	C. A. PERSONS
013101	CRIM HOMICIDE	12/12/72	CLEARED BY ARREST	C. A. PERSONS
016023	JUSTICE HOMICIDE	12/21/72	UNFOUNDED	C. A. PERSONS
009676	MANSL BY VEH	11/30/72	CLEARED BY ARREST	TRAFFIC UNIT
009752	MANSL BY VEH	12/01/72	UNFOUNDED	TRAFFIC UNIT
019252	MANSL BY VEH	12/02/72	OFFENDER DEAD	TRAFFIC UNIT
010252	MANSL BY VEH	12/02/72	UNFOUNDED	TRAFFIC UNIT
011819	MANSL BY VEH	12/07/72	UNFOUNDED	TRAFFIC UNIT
013096	MANSL BY VEH	12/12/72	UNFOUNDED	TRAFFIC UNIT
014402	MANSL BY VEH	12/16/72	UNFOUNDED	TRAFFIC UNIT
016759	MANSL BY VEH	12/23/72	CLEARED BY ARREST	TRAFFIC UNIT
013366	MANSL BY VEH	12/29/72	CLEARED BY ARREST	TRAFFIC UNIT
009847	RAPE	12/01/72	EXCEPT. CLEARANCE	WATCH 2 ZONE 1
018404	RAPE	12/29/72	EXCEPT. CLEARANCE	WATCH 3 ZONE 2
013012	ATTPT RAPE	01/16/72	CLEARED BY ARREST	C. A. PERSONS
011629	RAPE	11/29/72	EXCEPT. CLEARANCE	C. A. PERSONS
014223	RAPE	12/15/72	EXCEPT. CLEARANCE	C. A. PERSONS
014224	RAPE	12/16/72	CLEARED BY ARREST	C. A. PERSONS
015541	RAPE	12/20/72	CLEARED BY ARREST	C. A. PERSONS
010103	ARMED ROBBERY	12/02/72	CLEARED BY ARREST	WATCH 1 ZONE 1
004983	ARMED ROBBERY	11/13/72	CLEARED BY ARREST	WATCH 2 ZONE 1
010028	ARMED ROBBERY	12/01/72	EXCEPT. CLEARANCE	WATCH 2 ZONE 1
010452	ARMED ROBBERY	12/03/72	CLEARED BY ARREST	WATCH 2 ZONE 1
015606	ARMED ROBBERY	12/20/72	CLEARED BY ARREST	WATCH 2 ZONE 1
010580	ARMED ROBBERY	12/03/72	CLEARED BY ARREST	WATCH 3 ZONE 1
012368	ARMED ROBBERY	12/09/72	CLEARED BY ARREST	WATCH 3 ZONE 1
016790	STRNG ARM ROBB	12/23/72	EXCEPT. CLEARANCE	WATCH 3 ZONE 1
018955	STRNG ARM ROBB	12/31/72	CLEARED BY ARREST	WATCH 3 ZONE 1
012610	ARMED ROBBERY	12/05/72	CLEARED BY ARREST	WATCH 2 ZONE 2
014620	ATTPT ROBBERY	12/17/72	CLEARED BY ARREST	WATCH 2 ZONE 2
014945	ARMED ROBBERY	12/18/72	CLEARED BY ARREST	WATCH 2 ZONE 2
015874	ATTPT ROBBERY	12/24/72	EXCEPT. CLEARANCE	WATCH 2 ZONE 2
012102	ARMED ROBBERY	12/08/72	CLEARED BY ARREST	WATCH 3 ZONE 2
016055	ARMED ROBBERY	12/21/72	CLEARED BY ARREST	WATCH 3 ZONE 2
014582	ARMED ROBBERY	12/17/72	CLEARED BY ARREST	WATCH 1 ZONE 3
004659	ARMED ROBBERY	10/10/72	CLEARED BY ARREST	WATCH 2 ZONE 3
011639	ARMED ROBBERY	12/07/72	CLEARED BY ARREST	WATCH 2 ZONE 3
014696	ARMED ROBBERY	12/17/72	CLEARED BY ARREST	WATCH 2 ZONE 3
018314	ARMED ROBBERY	12/20/72	CLEARED BY ARREST	WATCH 2 ZONE 3
010316	STRNG ARM ROBB	12/02/72	CLEARED BY ARREST	WATCH 3 ZONE 3
010602	ARMED ROBBERY	12/04/72	CLEARED BY ARREST	WATCH 3 ZONE 3
012510	ARMED ROBBERY	12/10/72	CLEARED BY ARREST	WATCH 3 ZONE 3
005613	ARMED ROBBERY	10/15/71	CLEARED BY ARREST	C. A. PROPERTY

INDEX NUMBER  
CF006-07



SECTION

OFFENSE PROGRAMS

PROGRAMMING DOCUMENTATION

DATE ISSUED

January 16, 1973

DATE REVISED

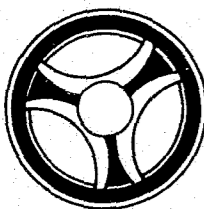
PROGRAM TITLE: OFFENSES BY BEAT AND TIME OF DAY

DATE OPERATIONAL: January 16, 1973

PURPOSE: To provide a monthly report of all offenses that occurred within the city limits of Kansas City, Missouri, by time of occurrence and beat of occurrence.

INDEX NUMBER

CF007-01



PROGRAMMING DOCUMENTATION

SECTION

OFFENSE PROGRAMS

DATE ISSUED

January 16, 1973

DATE REVISED



PROGRAMMING DOCUMENTATION

SECTION

OFFENSE PROGRAMS

DATE ISSUED

January 16, 1973

DATE REVISED

I. PROGRAM NARRATIVE

Input to this program is the monthly offense tape (CF014T1). The tape is read and the necessary records selected and loaded into a Sort. Upon return from the Sort, various subscripted tables are incremented based upon the beat of occurrence, the time of occurrence, and the offense. The output is a four-part listing consisting of Part I offenses by beat, Part II offenses by beat, Part I offenses by time, and Part II offenses by time.

II. DETAILED DESCRIPTION

A date card is accepted, various counters and work areas are set to zeros and spaces, the input and output files are opened and the Sort is initiated.

SELECT-OFFENSES reads sequentially through the input tape until it encounters the first record containing the agency code for the Kansas City, Missouri Police Department. At that point control is transferred to the paragraph entitled CK-RCD.

READ-TAPE reads the offense tape and sets an end switch when the last record containing the agency code for the Kansas City, Missouri Police Department is encountered.

CK-RCD transfers control to other paragraphs based on values found in the fields contained in each record.

CLCR-RCD, COMP-CK combine to edit various fields in each record and move pertinent information to the Sort area.

REL-LOOP release the selected records to the Sort.

SET-COMP is a re-occurring housekeeping paragraph that spaces out various fields and zeros out various counters.

At this point the records are sorted by beat of occurrence.

PRINT-REPORT checks to determine if any records were released to the Sort and if not, transfer control to the end-of-job routine. Zeros are moved to all subscripted tables and the first Sort record is returned. The beat of occurrence contained within this first record is moved to a save area and one of the header routines is performed. Control is transferred to the paragraph entitled Part I-CK.

INDEX NUMBER  
CF007-

RETURN-RCD return the records from the Sort and compare the beat of occurrence against the save beat of occurrence. As long as the compare is equal control is transferred to PART I-CK, but when an unequal is encountered the new beat is moved to the save area and paragraph PRINT-BT is performed.

BYPASS determines which of the three police department patrol divisions the crime occurred in. It also performs one of the various header routines based upon the value found in a line counter.

BY-PASS-1 is another re-occurring housekeeping routine.

PRINT-BT is a performed paragraph which causes the first line of counts to be printed on the listing.

PRINT-ZN, PRINT-WT are also performed paragraphs that cause lines of counts to be printed on the listing.

TOTAL-PART I is a performed paragraph that also causes counts to be printed as well as headers.

PART I-CK increments a table subscriber based upon the value found in the offense code.

ADD-TO-CNTS actually adds to or subtracts from one of the subscripted tables.

ADD-TIME increments another of the subscripted tables based upon the time of occurrence.

The paragraphs previously described from BYPASS through ADD-TIME have been concerned with Part I offenses only. The following list of paragraphs do the exact same functions as the previous ones except that they concern Part II offenses only.

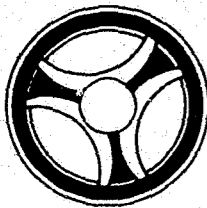
PART-TWO-RCD, BYPASS-II, BY-PASS-II, PRINT-BT2, PRINT-ZN2, PRINT-WT2, TOTAL-PART II, PART II-ZK, ADD-TO-CNTS2, ADD-TIME2

At this point in the program the first two of the four listings have been printed and the subscripted tables containing the times of occurrence of the offenses have been fully loaded.

PRINT-TIME determines which of the last two reports is being processed and causes the appropriate header to be printed.

MOVE-THREE actually prints the header for the third report.

INDEX NUMBER  
CF007-03



PROGRAMMING DOCUMENTATION

SECTION

OFFENSE PROGRAMS

DATE ISSUED

January 16, 1973

DATE REVISED

SYSTEM FLOW CHART

Page 1 of 1

FLOWCHART

DESCRIPTION

ADD-B-TM manipulates various subscripters and executes various performs to cause the third listing which is Part I offenses by time to be printed.

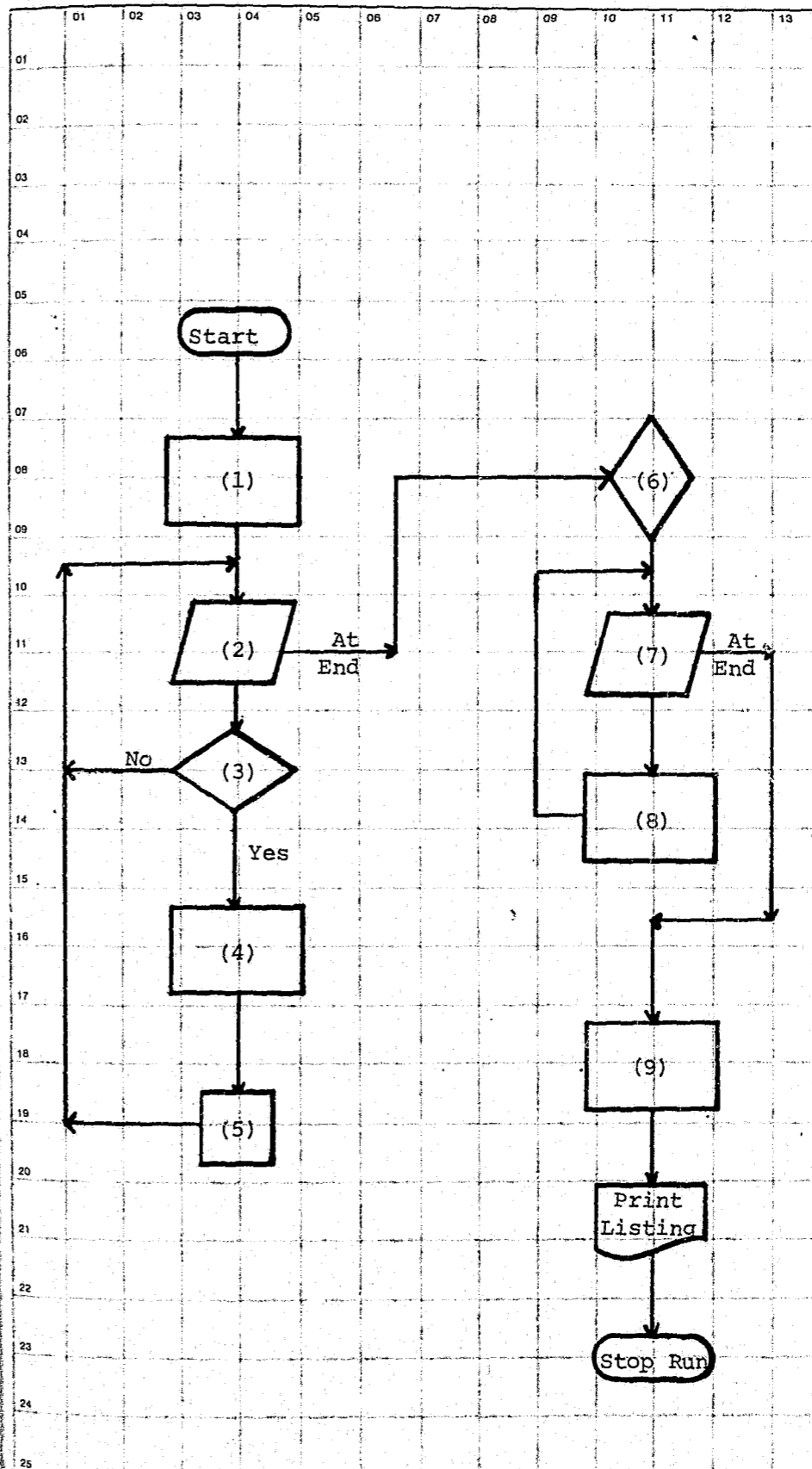
ADD-B-TM2 is identical to the previous paragraph in its function except that it prints the fourth report.

MOVE-BTCT, MOVE-ZNCT, MOVE-WTCT, MOVE-TOT, MOVE-BTCT2, MOVE-ZNCT2, MOVE-TOT2, MOVE-TMCT are all performed paragraphs that move the various count information from the subscripted tables to the print area.

HEADER is also a performed paragraph that prints all of the various headers depending upon the value in a switch.

PRINT-TPT1, PRINT-TPT2 are both performed paragraphs that cause the first and the second report to be printed.

EOJ-OUTPUT close the offense tape and the printer and display a normal end-of-job message upon the console.



- (1) Housekeeping. Open Files
- (2) Read Input Tape
- (3) Valid Record?
- (4) Move Various Offense Statistical Data, Address Information, Time, and Beat To Sort Area
- (5) Release Sort Record
- (6) Records are Sorted by Police Beat in which Crime Occurred
- (7) Return Sorted Records
- (8) Increment Various Counters Based on Beat, Zone, Watch, Time and Charge
- (9) Format Accumulated Counts and Move to Print Area

System No.	System Title:		
Date Prepared:	Prepared By:	Revision Date:	Revised By:
Date Approved:	Approved By:		

INDEX NUMBER  
CF007-4

INDEX NUMBER  
CF007-05

DESCRIPTION OF COMPUTER REPORT OR LISTING

NEW  REVISION—SHOW WHY IN 'COMMENTS'

DATE	ID NO.
------	--------

TITLE OF REPORT OR LISTING  
OFFENSES BY BEAT OF OCCURRENCE - OFFENSES BY TIME OF DAY CF007L1

PURPOSE OR FUNCTION IT SERVES  
THIS REPORT PROVIDES INFORMATION TO OPERATIONS COMMAND STAFF USED TO ASCERTAIN THE EFFECTIVENESS OF CURRENT PATROL PROCEDURES AS WELL AS ESTABLISH MANPOWER DEPLOYMENT PLANS.

ORIGINATES FROM (SHOW COMPUTER RUN AND/OR MAIN FILE FROM WHICH DATA IS DEVELOPED AND SPAN OF TIME COVERED OR AGE OF DATA)  
THIS INFORMATION IS EXTRACTED FROM THE MONTHLY OFFENSE TAPE.

NO. COPIES FREQUENCY ISSUED  
 DAILY  WEEKLY  MONTHLY

DESIGN FORMAT APPROVED BY DATE RELEASE PERIOD

DETAILED EXPLANATION OF DATA (WHEN PRINTED CAPTIONS ARE NOT SELF EXPLANATORY)

\*PART I OFFENSES REPORTED BY BEAT OF OCCURRENCE:  
THE FIRST SEGMENT OF CF007L1 REPRESENTS PART I OFFENSES BY BEATS BROKEN BY ZONE AND WATCH TOTALS.

\*PART II OFFENSES REPORTED BY BEAT OF OCCURRENCE:  
THE SECOND SEGMENT OF CF007L1 REPRESENTS PART II OFFENSES BY BEAT BROKEN BY ZONE AND WATCH TOTALS.

\*OFFENSES REPORTED BY TIME OF DAY:  
SEGMENT 3 OF CF007L1 REPRESENTS PART I OFFENSES BY ONE-HOUR INCREMENTS OF TIME OF DAY.

\*OFFENSES REPORTED BY TIME OF DAY (PART II):  
SEGMENT 4 OF CF007L1 REPRESENTS PART II OFFENSES BY TIME OF DAY INCREMENTED BY ONE-HOUR PERIODS.

COPY DISTRIBUTION

SENT TO	RETENTION	DISPOSITION
1 ORIGINATING AGENCY (2)		
2 FILE (1)		
3		
4		
5		
6		

COMMENTS

INDEX NUMBER  
CF007

PART I OFFENSES REPORTED BY BEAT OF OCCURRENCE  
RESTRICTED INFORMATION - FOR KCMOPD INTERNAL USE ONLY  
DECEMBER 1972

BEAT	MURDER	RAPE		ROBBERY		ASSAULT-AGGRAVATED				OTHER ASSLT	BURGLARY		LARCENY		AUTO THEFT	
		MANS. BY NEG.	FORCE	ATTPT	ARMED	STARM	GUN	KNIFE	OTHER		HANDS	RES	NON RES	OVER \$50		UNDER \$50
N/S	0	0	0	0	1	1	1	0	0	0	1	-10	0	7	12	-7
ZONE TOTAL	0	0	0	0	1	1	1	0	0	0	1	-10	0	7	12	-7
WATCH TOTAL	0	0	0	0	1	1	1	0	0	0	1	-10	0	7	12	-7
1111	0	0	0	0	0	0	0	0	0	0	0	1	0	0	2	2
1112	0	0	0	0	0	0	0	1	0	0	0	0	3	2	0	0
1113	0	0	0	0	0	0	1	0	0	0	0	0	0	2	1	1
1114	0	0	0	0	2	0	0	1	0	0	0	0	1	5	1	2
1121	0	0	0	0	0	0	0	0	0	0	0	1	0	0	2	3
1122	1	0	0	0	0	0	0	0	0	0	0	1	0	0	2	3
1123	0	0	0	0	2	0	0	0	0	0	0	0	0	0	0	0
1124	0	0	0	0	0	0	0	0	0	0	0	0	0	0	2	1
1131	1	0	0	0	0	0	0	0	0	0	0	0	3	0	0	0
1132	0	0	0	0	0	1	1	0	0	1	0	1	5	1	1	5
1133	0	0	1	0	0	0	0	0	0	0	0	0	2	1	2	0
1134	0	0	0	0	1	0	0	0	0	0	0	1	0	1	2	0
1141	0	0	0	0	1	0	0	0	0	0	0	0	0	1	0	0
1142	0	0	1	0	2	1	1	0	0	0	0	2	1	0	0	0
1143	1	0	0	0	0	0	0	0	0	0	0	0	4	0	0	0
1144	0	0	0	0	3	0	0	1	0	1	0	2	0	1	0	1
1151	0	0	0	0	0	0	0	0	0	1	0	0	0	1	0	1
1152	0	0	0	0	1	1	0	0	0	1	0	1	0	1	0	2
1153	0	0	1	0	1	1	2	1	0	1	0	4	2	1	0	2
1154	0	0	0	0	1	0	0	0	0	0	0	4	2	1	0	1
ZONE TOTAL	3	0	3	0	14	4	7	5	0	4	0	18	24	18	13	22
1211	0	0	0	0	1	0	0	0	0	0	1	1	0	1	1	2
1212	0	0	0	0	0	1	0	0	0	2	1	2	1	2	0	1
1213	0	0	0	0	2	0	1	1	0	0	0	3	0	2	1	2
1214	0	0	0	0	3	0	0	0	0	0	1	0	1	0	1	3
1215	0	0	0	0	0	0	0	0	0	0	1	0	0	7	3	1
1221	0	0	0	0	0	0	0	0	0	1	0	1	0	2	1	1
1222	0	0	0	0	1	0	0	0	0	0	0	1	1	0	0	2
1223	0	0	0	0	1	0	0	0	0	0	0	1	1	1	0	2
1224	0	0	0	0	0	0	0	0	0	1	0	0	1	1	0	-1
1225	0	0	0	0	0	0	0	0	0	0	1	0	1	1	2	0
1231	0	0	0	0	1	0	0	0	0	0	0	0	0	1	1	1
1232	0	0	1	0	0	0	0	0	0	0	0	2	2	0	0	0
1233	0	0	0	0	0	0	0	0	0	0	0	0	0	0	0	0
1234	0	0	0	0	0	0	0	1	0	0	0	4	0	0	1	0
1235	0	0	0	0	0	0	0	0	1	1	0	1	0	1	0	1

INDEX NUMBER  
CF007-07



OFFENSES REPORTED BY TIME OF DAY  
RESTRICTED INFORMATION - FOR KCMOPD INTERNAL USE ONLY  
DECEMBER 1972

OFFENSES	00-01	01-02	02-03	03-04	04-05	05-06	06-07	07-08	08-09	09-10	10-11	11-12	12-13
FORGERY & COUNTERFEITING	0	0	0	0	0	0	0	0	0	1	1	0	0
FRAUD	0	2	2	0	0	1	0	0	0	1	1	2	3
EMBEZZLEMENT	0	0	0	0	0	1	0	2	1	6	0	2	4
VANDALISM	6	15	9	5	1	0	0	0	1	1	0	0	0
SEX OFFENSES	0	1	2	0	0	0	0	0	0	0	0	0	0
KIDNAPPING	0	0	0	0	0	0	1	1	3	2	1	7	4
CASUALTIES	2	3	2	2	1	3	1	1	2	0	2	1	2
DEAD BODY	1	4	3	0	3	1	0	1	5	6	5	8	5
ANIMAL BITE	0	2	1	0	1	0	0	0	0	0	0	0	0
SICK CALL	0	0	0	0	0	0	0	0	0	1	0	0	0
SUICIDE	0	0	0	0	0	0	0	1	1	3	0	1	1
ATTEMPT SUICIDE	1	2	4	2	0	0	0	0	2	3	3	3	5
LOST PROPERTY	0	1	0	1	0	0	0	0	0	3	3	3	4
ALL OTHER	0	1	0	2	0	0	0	2	0	2	2	3	4

OFFENSES	13-14	14-15	15-16	16-17	17-18	18-19	19-20	20-21	21-22	22-23	23-24	N/S	TOTAL
FORGERY & COUNTERFEITING	1	0	1	0	0	0	1	1	0	0	0	11	17
FRAUD	3	9	1	1	1	4	7	7	4	1	0	25	75
EMBEZZLEMENT	0	0	1	0	0	1	0	0	0	0	0	16	24
VANDALISM	1	7	8	6	12	11	16	25	13	14	9	187	360
SEX OFFENSES	1	0	3	2	0	0	1	0	0	0	0	1	13
KIDNAPPING	0	0	0	0	0	0	0	0	1	2	5	2	75
CASUALTIES	3	5	7	4	3	3	6	2	2	3	4	36	88
DEAD BODY	4	1	2	5	2	4	2	2	2	3	4	1	99
ANIMAL BITE	6	11	16	10	11	1	2	2	1	2	2	0	0
SICK CALL	0	0	0	0	0	0	0	0	0	0	0	1	2
SUICIDE	0	0	0	0	0	0	0	0	0	1	0	7	44
ATTEMPT SUICIDE	0	2	4	5	1	0	4	2	2	2	0	95	146
LOST PROPERTY	1	4	3	4	6	2	5	3	3	2	0	13	47
ALL OTHER	1	2	2	2	1	2	3	1	2	2	0	13	47

INDEX  
CF007L1



PROGRAMMING DOCUMENTATION

SECTION  
OFFENSE PROGRAMS

DATE ISSUED  
January 16, 1973

DATE REVISED

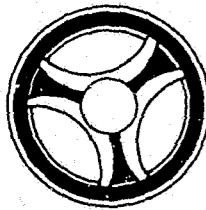
PROGRAM TITLE: OFFENSES BY BEAT REPORTING

DATE OPERATIONAL: January 16, 1973

PURPOSE: To provide a monthly listing of Part I and Part II offenses broken down by beat of occurrence and also by time of day. This program is run for the Kansas City, Missouri Police Department only.

INDEX NUMBER  
CF008-01





PROGRAMMING DOCUMENTATION

SECTION

OFFENSE PROGRAMS

DATE ISSUED

January 16, 1973

DATE REVISED

I. PROGRAM NARRATIVE

This program reads the monthly offense tape (CF014T1) and selects all the Part I and Part II offenses that occurred within the city limits of Kansas City, Missouri. These offenses are loaded into an internal Sort and sorted by the police district in which they occurred and by one of three patrol duty periods; day shift, evening shift and night shift. The records are then returned from the Sort and formatted so that the printout lists all the Part I offenses by time and beat and then all the Part II offenses by time and beat.

II. DETAILED DESCRIPTION

A control card containing the reporting month is accepted and the information moved to a save area. The input tape and output printer are opened and the Sort file is initiated.

SELECT-OFFENSE reads sequentially through the offense tape until the first record containing the Kansas City, Missouri Police Department originating agency code is encountered.

READ-TAPE reads all successive offense records and sets a switch when the last record on the tape is encountered.

CK-RCD selects from the tape the offense statistical records and the address of occurrence records. The information from these two record types is all that is used in this program.

CLCR-RCD checks a code within the offense statistical record to determine if the offense is unfounded and if so is not counted.

COMP-CK determines if there is a valid beat of occurrence for each record encountered and if none is found the paragraph moves a literal indicating not stated into the Sort area. This paragraph also releases the records to the Sort.

SET-COMP is a re-occurring housekeeping paragraph which zeros various fields and moves spaces to areas.

FINISH-COMP-CK checks the last record switch and if it is equal to one transfers control to the end-of-job routine. Otherwise control is transferred back to the READ paragraph.

After all the useable offense records have been read the Sort is executed and the information is sorted by the time of occurrence within the beat of occurrence.

# CONTINUED

# 1 OF 2

INDEX  
CF00

REVISED



PROGRAMMING DOCUMENTATION

SECTION	
OFFENSE PROGRAMS	
DATE ISSUED	DATE REVISED
January 16, 1973.	

PRINT-REPORT determines if any records were released to the Sort and if not control is transferred to the end routine. Zeros are moved to various counters and spaces are moved to various fields. The first record is returned from the Sort and the beat of occurrence is moved to a save area. The header routine is performed and control is transferred to paragraph name PART I-CK.

RETURN-RCD returns the remaining records from the Sort and separates the Part I offenses from the Part II offenses. If the record just read contains a Part II offense control is transferred to the paragraph entitled PART-TWO-RCD. The remaining part of this paragraph through paragraph entitled ADD-TO-CNTS are all relative to Part I offenses only. The beat of occurrence in the present record is compared to the previous record and if they are equal control is transferred to paragraph entitled PART I-CK. Otherwise the print routine (PRINT-BT) is performed and a single line of counts is printed.

BYPASS, BY-PASS-1 combine to separate the crimes that have occurred in a single beat by the three eight-hour time periods.

PRINT-BT is a performed routine that actually prints each single line of Part I counts by beat.

PRINT-ZN accumulates the total of Part I offenses that have occurred in a single zone (a zone is a geographic area made up of approximately five police beats) and causes this information to be printed on the listing.

PRINT-WT is a performed paragraph that prints out the total number of offenses that have occurred in a single watch (one of the three eight-hour time periods during a 24-hour day).

TOTAL-PART I accumulates all of the Part I offenses in all of the beats, zones, and watches and prints a grand total of all Part I crimes that have occurred for one month.

PART I-CK adds to the appropriate Part I counter based upon the offense code encountered in the record.

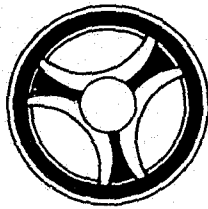
ADD-TO-CNTS sets various subscripts and causes counters to be incremented based upon the offense encountered in the previous paragraph.

The following paragraphs perform the exact same functions as the previous paragraphs have except that they pertain to Part II records only. The paragraphs in question are: PART-TWO-RCD, BYPASS2, BY-PASS-2, PRINT-BT2, PRINT-ZN2, PRINT-WT2, TOTAL-PART II, PART2-CK, ADD-TO-CNTS2.

ine  
ord  
ing  
ds

ns-

NUK  
087



PROGRAMMING DOCUMENTATION

SECTION

OFFENSE PROGRAMS

DATE ISSUED

January 16, 1973

DATE REVISED

PRINT-TIME is a performed paragraph that determines whether the Part I crime header is to be printed or the Part II crime header is to be printed.

MOVE-BTCT, MOVE-ZNCT, MOVE-WTCT, MOVE-TOT, MOVE-BTCT2, MOVE-ZNCT2, MOVE-WTCT2, MOVE-TOT2 are all performed paragraphs which set the subscript pointers in the various count tables to the correct location.

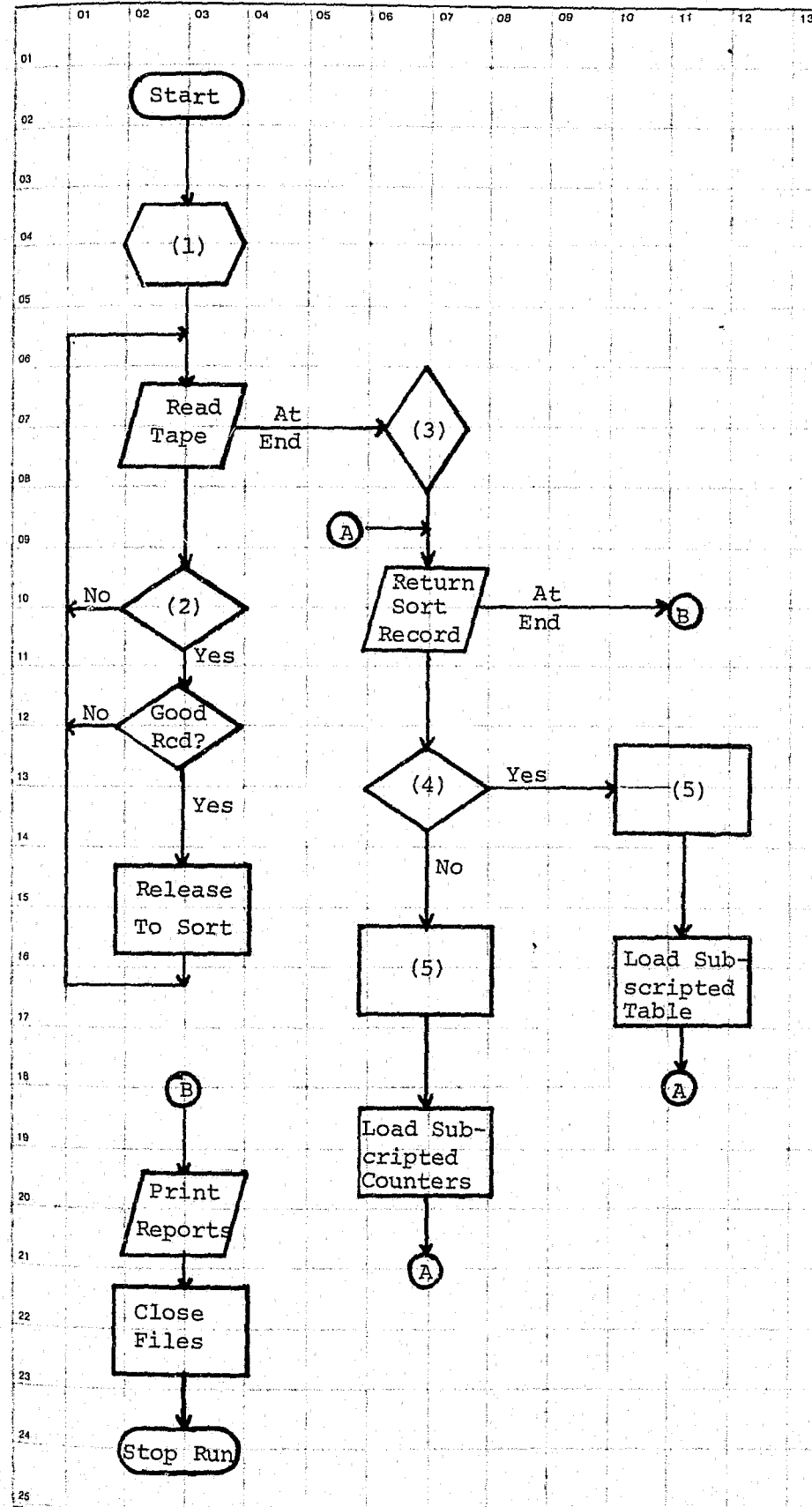
HEADER, PRINT-TPT1, PRINT-TPT2 are all performed paragraphs that print the various headings on the individual pages of the report.

EOJ-OUTPUT cause the input tape and output printer to be closed and a normal end of job message to be displayed upon the console.

SYSTEM FLOW CHART

FLOWCHART

DESCRIPTION



- (1) Accept Header Card- Open Files
- (2) ORI = KCMO
- (3) Records Sorted by Time of Occurrence within Beat of Occurrence
- (4) Part I Offense
- (5) Separate Offense by Zone, Watch, and Beat

INDEX NUMBER  
CF008-05

System No.	System Title:		
Date Prepared:	Prepared By:	Revision Date:	Revised By:
Date Approved:	Approved By:		

INDEX NUMBER  
CF008-05

DESCRIPTION OF COMPUTER REPORT OR LISTING

DATE	ID NO.
------	--------

NEW       REVISION—SHOW WHY IN 'COMMENTS'

TITLE OF REPORT OR LISTING PART I OFFENSES REPORTED BY BEAT REPORTING CF008L1	
PURPOSE OR FUNCTION IT SERVES  THIS REPORT PROVIDES INFORMATION TO OPERATIONS COMMAND STAFF TO ASCERTAIN THE EFFECTIVENESS OF CURRENT PATROL PROCEDURES AS WELL AS ESTABLISH MANPOWER DEPLOYMENT PLANS.	
ORIGINATES FROM (SHOW COMPUTER RUN AND/OR MAIN FILE FROM WHICH DATA IS DEVELOPED AND SPAN OF TIME COVERED OR AGE OF DATA)  THIS INFORMATION IS EXTRACTED FROM THE MONTHLY OFFENSE TAPE.	
NO. COPIES	FREQUENCY ISSUED <input type="checkbox"/> DAILY <input type="checkbox"/> WEEKLY <input checked="" type="checkbox"/> MONTHLY <input type="checkbox"/>
DESIGN FORMAT APPROVED BY	DATE      RELEASE PERIOD

DETAILED EXPLANATION OF DATA (WHEN PRINTED CAPTIONS ARE NOT SELF EXPLANATORY)

THE FIRST SEGMENT OF CF008L1 REPRESENTS IN ARRAY FORM PART I OFFENSES BY BEATS BROKEN BY ZONE AND WATCH TOTALS. PART II OFFENSES AGAIN BROKEN BY BEATS, ZONE AND WATCH TOTALS COMPRISE THE SECOND SEGMENT OF CF008L1.

COPY DISTRIBUTION

SENT TO	RETENTION	DISPOSITION
1 ORIGINATING AGENCY (2)		
2 FILE (1)		
3		
4		
5		
6		

COMMENTS

RESTRICTED INFORMATION - FOR KCMOPD INTERNAL USE ONLY  
DECEMBER 1972

BEAT	MURDER	MANS. BY NEG.	RAPE		ROBBERY		ASSAULT-AGGRAVATED				OTHER ASSLT	BURGLARY			LARCENY		AUTO THEFT
			FORCE	ATTPT	ARMED	STARM	GUN	KNIFE	OTHER	HANDS		FORCE-ENTRY	UNLAW-ENTRY	ATTPT-FORCE	OVER \$50	UNDER \$50	
1153	0	0	0	0	2	0	0	0	0	0	0	0	5	0	0	0	0
1154	0	0	0	0	1	0	0	0	0	0	0	0	6	0	0	0	0
1157	0	0	0	0	0	0	0	0	0	1	0	0	0	0	0	0	0
1159	0	0	0	0	0	0	1	0	0	0	0	0	0	0	0	0	0
-----																	
ZONE TOTAL	2	0	0	0	11	4	5	3	0	3	0	0	76	0	0	0	0
1205	0	0	0	0	0	0	0	0	0	0	0	0	2	0	0	0	0
1207	0	0	1	0	0	0	0	0	0	0	0	0	1	0	0	0	0
1211	0	0	1	0	1	0	0	0	0	0	0	0	1	0	0	0	0
1212	0	0	0	0	0	0	0	0	1	0	0	0	9	0	0	0	0
1213	0	0	0	0	1	1	0	0	0	0	0	0	4	0	0	0	0
1214	0	0	0	0	2	0	0	0	0	0	0	0	5	0	0	0	0
1215	0	0	0	0	0	1	0	0	0	0	0	0	5	0	0	0	0
1221	0	0	0	0	1	0	0	0	0	0	0	0	6	0	0	0	0
1222	0	0	0	0	1	0	0	0	0	0	0	0	6	0	0	0	0
1223	0	0	0	0	1	0	0	1	0	0	0	0	6	0	0	0	0
1224	0	0	0	0	0	0	0	0	0	0	0	0	4	0	0	0	0
1225	0	0	0	0	0	0	0	0	0	0	0	0	3	0	0	0	0
1231	0	0	0	0	1	0	0	0	0	0	0	0	1	0	0	0	0
1232	0	0	0	0	1	0	0	0	0	0	0	0	2	0	0	0	0
1233	0	0	0	0	0	0	0	0	0	0	0	0	4	0	0	0	0
1234	0	0	0	0	0	0	0	1	0	0	0	0	5	0	0	0	0
1235	0	0	0	0	0	0	0	0	0	1	0	0	1	0	0	0	0
1241	0	0	0	0	0	0	0	0	0	0	0	0	3	0	0	0	0
1242	0	0	0	0	0	0	0	0	0	0	0	0	3	0	0	0	0
1243	0	0	0	0	0	0	0	0	0	0	0	0	1	0	0	0	0
1244	0	0	0	0	0	0	0	0	0	0	0	0	3	0	0	0	0
1245	0	0	0	0	0	0	0	0	0	0	0	0	2	0	0	0	0
1251	0	0	0	0	0	0	0	0	0	0	0	0	1	0	0	0	0
1252	0	0	0	0	0	1	0	0	0	0	0	0	2	0	0	0	0
1253	0	0	0	0	0	0	0	0	0	0	0	0	3	0	0	0	0
1254	0	0	0	0	0	0	0	0	0	0	0	0	2	0	0	0	0
1280	0	0	0	0	0	0	0	0	0	0	0	0	1	0	0	0	0
-----																	
ZONE TOTAL	0	0	2	0	9	4	0	2	2	1	0	0	85	0	0	0	0
1309	0	0	0	0	1	1	3	0	0	0	0	0	5	0	0	0	0
1311	0	0	0	0	0	0	0	0	0	0	0	0	2	0	0	0	0
1313	0	0	0	0	0	0	0	0	0	0	0	0	1	0	0	0	0
1314	0	0	0	0	0	0	0	0	0	0	0	0	5	0	0	0	0
1315	0	0	0	0	0	0	0	0	0	0	0	0	4	0	0	0	0
1323	0	0	0	0	0	0	0	0	0	0	0	0	4	0	0	0	0

INDEX

INDEX NUMBER  
CF008-07

BEAT	ARSON	FORG. & COUNTFT	FRAUD	EMBLMT	VANDLSM	SEX OFFENSE	KIDNAP	CASUALTY	DEAD BODY	ANIMAL BITE	SICK CALL	SUICIDE	ATT. SUICIDE	LOST PROP	OTHER PART 2
N/S	1	0	4	2	5	4	0	0	0	0	0	0	0	3	-1
ZONE TOTAL	1	0	4	2	5	4	0	0	0	0	0	0	0	3	-1
WATCH TOTAL	1	0	4	2	5	4	0	0	0	0	0	0	0	3	-1
0600	0	1	4	3	0	0	0	0	0	0	0	0	0	2	0

ZONE TOTAL	0	1	4	3	0	0	0	0	0	0	0	0	0	2	0
WATCH TOTAL	0	1	4	3	0	0	0	0	0	0	0	0	0	2	0
1111	0	0	0	0	2	0	0	0	0	0	0	0	1	0	0
1112	0	0	1	0	0	0	0	0	0	0	0	0	0	0	0
1113	0	0	0	0	0	0	0	0	0	0	0	0	0	1	0
1114	0	0	0	0	1	0	2	0	0	0	0	0	1	0	0
1119	0	0	0	0	0	0	1	0	0	0	0	0	0	0	0
1121	0	0	0	0	1	0	0	0	0	0	0	0	1	0	0
1123	0	0	0	0	0	0	0	0	0	0	0	0	0	0	1
1131	0	0	0	0	0	0	0	1	0	0	0	0	0	0	0
1132	0	0	1	0	2	0	0	1	0	0	0	0	0	0	0
1133	0	0	0	0	3	0	0	0	0	0	0	0	0	0	0
1134	0	0	0	0	2	0	0	0	0	0	0	0	0	0	0
1142	0	0	0	0	0	0	0	1	0	0	0	0	0	0	0
1144	0	0	0	0	0	1	0	0	0	0	0	0	0	0	0
1152	0	0	0	0	1	0	0	0	0	0	0	0	1	0	0
1153	0	0	0	0	0	0	0	1	0	0	0	0	0	0	0
1154	0	0	0	0	2	0	0	0	0	0	0	0	0	0	0

ZONE TOTAL	0	0	2	0	14	1	0	4	4	0	0	0	4	1	2
WATCH TOTAL	0	0	0	0	1	0	0	1	2	0	0	0	0	0	0
1211	0	0	0	0	1	0	0	0	0	0	0	0	0	0	0
1212	0	0	0	0	1	0	0	0	2	0	0	0	0	0	1
1213	0	0	0	0	2	0	0	0	0	0	0	0	0	0	0
1214	1	0	0	0	1	0	0	0	0	0	0	0	0	0	0
1215	0	0	0	0	1	0	0	0	0	0	0	0	0	0	0
1221	0	0	0	0	0	0	0	0	0	0	0	0	0	0	1
1222	0	0	0	0	0	0	0	0	0	0	0	0	0	0	0
1223	0	0	0	0	0	0	0	0	0	0	0	0	1	0	0

CF



PROGRAMMING DOCUMENTATION

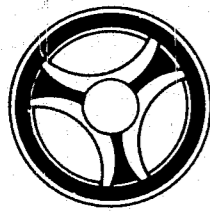
SECTION OFFENSE PROGRAMS	
DATE ISSUED January 16, 1973	DATE REVISED

PROGRAM TITLE: ROBBERY EVALUATIONS

DATE OPERATIONAL: January 16, 1973

PURPOSE: To produce a monthly listing of robberies, burglaries, and auto thefts and to compare these crimes in a high crime incidence area within the city limits against the amount occurred in the entire city. The total monthly robberies are divided by the value of the property taken into increments of \$50 up to and including \$501 and over.

INDEX NUMBER  
CF009-01



PROGRAMMING DOCUMENTATION

SECTION

OFFENSE PROGRAMS

DATE ISSUED

January 16, 1973

DATE REVISED



PROGRAMMING DOCUMENTATION

SECTION

OFFENSE PROGRAMS

DATE ISSUED

January 16, 1973

DATE REVISED

I. PROGRAM NARRATIVE

Input to this program is the monthly offense tape (CF014T1); output is a one-page listing. The input tape is read in various subscripted tables and counters are incremented based upon the robberies, burglaries and auto thefts that are encountered for the month. The information necessary to produce this report are the offense code, nature code, location of offense, and the value of property stolen.

II. DETAILED DESCRIPTION

The input and output files are opened and zeros are moved to various accumulation tables.

READ-IN reads the input tape and sets a switch when the last record has been encountered. It also checks the originating agency code and selects only those records pertaining to crimes occurring in Kansas City, Missouri. If the type of record found is other than a name record control is transferred to the paragraph name SECOND-RECORD, otherwise control falls through to the following paragraph.

LAST-REC determines if any pertinent information has been found in the preceding record compliment and if so transfers control to the appropriate paragraph.

THROUGH-WITH-AMOUNTS is a re-occurring housekeeping paragraph that moves zeros to various switches and transfers control back to the read paragraph.

SECOND-RECORD is the paragraph that separates the various record types and transfers control to the appropriate paragraph. If other than the required records are found control is transferred to the read paragraph.

SET-SUBSCRIPT, CK-ST-ARM, CK-RES-BURG, CK-NON-RES-BUG, CK-AUTO. These paragraphs combine to separate the pertinent offenses into armed robbery, strong-armed robbery; residence burglary, non-residence burglary, and auto theft. Depending upon which of these categories the offense code falls into, a value is moved to the appropriate subscript counter.

READY-TO-ADD-OR-SUB, SUBTRACT-FROM-COUNTERS combine to either add or subtract from the subscripted table depending upon a previously set switch.

ACCUMULATE-STOLEN-PROPERTY, REPEAT-IT, COMPARE-AMT, NEGATIVE-AMOUNT, NEGATIVE-AMT combine to determine the dollar value of the property stolen in the course of a robbery and add to the appropriate subscripted table based upon that amount.

LOCATION-INFORMATION, TRACT-28, TRACT-74, TRACT-44, TRACT-17, TRACT-31, TRACT-75, TRACT-MANY, TRACT-76, TRACT-73, TRACT-77, TRACT-78, TRACT-23, TRACT-19, TRACT-18, TRACT-57, TRACT-36, TRACT-60 combine to determine if the crime in question has occurred in one of the census tracts or blocks of the high crime area within the city limits and increments the appropriate sub-scripted table based upon the offense.

FINAL-LOCAL is a performed paragraph which actually does the addition or subtraction from the subscripted table based upon the value set in the subscript by the previous census tract paragraphs. From this paragraph control is returned to the read paragraph.

PRINT-OUT causes the top of the page headings to be printed on the listing.

PRINT-TABLE formats the information from the subscripted tables and causes the first 18 lines of the listing to be printed.

AUTO-HEADING causes a single line listing to be printed indicating auto theft information will follow.

PERCENT-CALCULATION calculates the percent of stolen automobiles that had the keys left in the ignition.

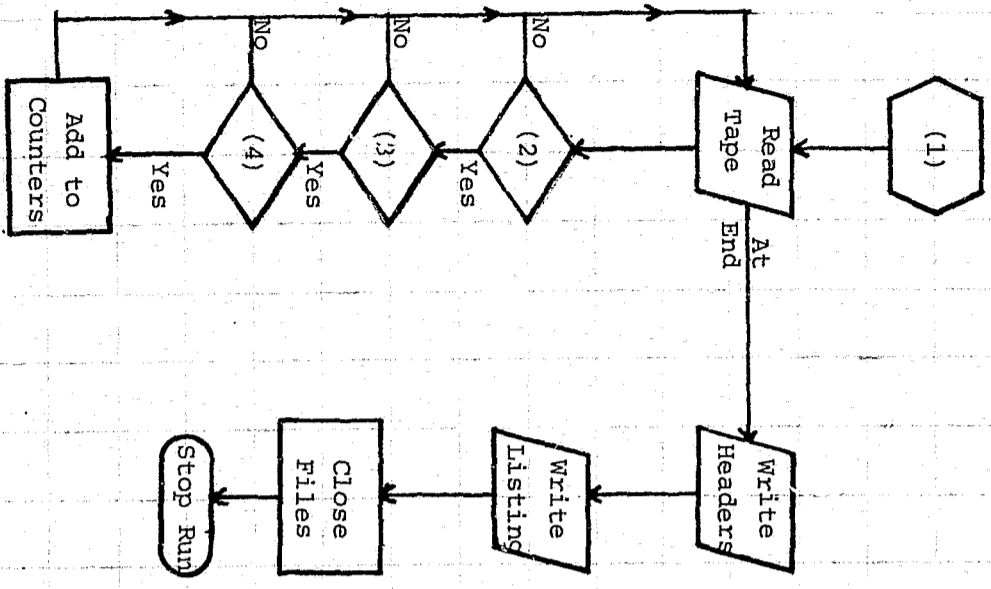
BY-PASS, MOVE-ZERO combine to format and print the last three lines of the listing.

END-JOB closes the input and output files and displays a normal end-of-job message upon the console.

INDEX NUMBER  
CF009-1INDEX NUMBER  
CF009-03

FLOWCHART

DESCRIPTION



- (1) Housekeeping (Open File Set Switches, and fields etc.)
- (2) Agency = 'MOKPD00'
- (3) Is Offense A:  
a. Robbery  
b. Burglary  
c. Auto Theft
- (4) Select Correct Records

System No. \_\_\_\_\_ System Title: \_\_\_\_\_  
 Date Prepared: \_\_\_\_\_ Prepared By: \_\_\_\_\_  
 Date Approved: \_\_\_\_\_ Approved By: \_\_\_\_\_  
 Revision Date: \_\_\_\_\_ Revised By: \_\_\_\_\_

NEW  REVISION—SHOW WHY IN 'COMMENTS'

TITLE OF REPORT OR LISTING  
 ROBBERY EVALUATION ACCORDING TO NUMBER PERFORMED CF009L1

PURPOSE OR FUNCTION IT SERVES  
 THIS REPORT PROVIDES INFORMATION CONCERNING THE DOLLAR EVALUATION OF PROPERTY TAKEN IN BOTH ARMED AND STRONG-ARMED ROBBERIES AS WELL AS PROVIDING A SUMMARY OF ALL PROPERTY ORIENTED OFFENSES.

ORIGINATES FROM (SHOW COMPUTER RUN AND/OR MAIN FILE FROM WHICH DATA IS DEVELOPED AND SPAN OF TIME COVERED OR AGE OF DATA)  
 THIS INFORMATION IS EXTRACTED FROM THE MONTHLY OFFENSE TAPE.

NO. COPIES \_\_\_\_\_ FREQUENCY ISSUED  
 DAILY  WEEKLY  MONTHLY

DESIGN FORMAT APPROVED BY \_\_\_\_\_ DATE \_\_\_\_\_ RELEASE PERIOD \_\_\_\_\_

DETAILED EXPLANATION OF DATA (WHEN PRINTED CAPTIONS ARE NOT SELF EXPLANATORY)

CF009L1 SHOWS DISTRIBUTION OF ROBBERY INCIDENTS WITHIN \$50 INCREMENTS OF PROPERTY VALUE FROM NO VALUE UP TO AND INCLUDING \$501 AND OVER. IT ALSO DISPLAYS:

- a. TOTAL ROBBERIES
- b. ARMED ROBBERIES
- c. STRONG-ARMED ROBBERIES
- d. RESIDENCE BURGLARIES
- e. TENTH TO FIFTIETH/MAIN TO NORTON (RESIDENCE BURGLARIES)
- f. NON-RESIDENCE BURGLARIES
- g. TENTH TO FIFTIETH/MAIN TO NORTON (NON-RESIDENCE BURGLARIES)
- h. AUTO THEFTS - ENTIRE CITY
- i. TENTH TO FIFTIETH/MAIN TO NORTON (AUTO THEFT)
- j. OPEN SWITCH (IGNITION) - SAME AREA
- k. PERCENT OPEN (IGNITION SWITCH) - SAME AREA

COPY DISTRIBUTION

SENT TO	RETENTION	DISPOSITION
1 ORIGINATING AGENCY (2)		
2 FILE (1)		
3		
4		
5		
6		

COMMENTS

INDEX NUMBER  
CF009-05

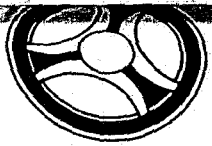
CONTINUE ON REVERSE SIDE

KANSAS CITY POLICE DEPARTMENT  
 RESTRICTED INFORMATION - FOR INTERNAL USE ONLY  
 DECEMBER 1972

ROBBERY VALUATION ACCORDING TO NUMBER PERFORMED

\$0-	50	110
\$51-	100	37
\$101-	150	18
\$151-	200	14
\$201-	250	2
\$251-	300	9
\$301-	350	5
\$351-	400	2
\$401-	450	2
\$451-	500	2
\$501-	99,999	20
TOTAL ROBBERIES		221
ARMED ROBBERY		148
STRONGARM ROBBERY		73
RESIDENCE BURGLARY		613
10TH TO 50TH / MAIN TO NORTON		226
NON-RESIDENCE BURGLARY		200
10TH TO 50TH / MAIN TO NORTON		73
AUTO THEFT		
ENTIRE CITY		312
10TH TO 50TH / MAIN TO NORTON		130
OPEN SWITCH - SAME AREA		36
PER CENT OPEN - SAME AREA		27.7%

INDEX  
 CF009L1



PROGRAMMING DOCUMENTATION



SECTION

OFFENSE PROGRAMS

DATE ISSUED

January 16, 1973

DATE REVISED

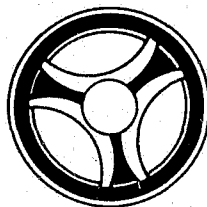
PROGRAM TITLE: VICTIM BY RACE AND SEX

DATE OPERATIONAL: January 16, 1973

PURPOSE: To create a year-to-date listing of counts of offenses broken down by race and sex of the victim within the month occurred.

INDEX NUMBER  
 CF010-01





PROGRAMMING DOCUMENTATION

SECTION

OFFENSE PROGRAMS

DATE ISSUED

January 16, 1973

DATE REVISED



PROGRAMMING DOCUMENTATION

SECTION

OFFENSE PROGRAMS

DATE ISSUED

January 16, 1973

DATE REVISED

I. PROGRAM NARRATIVE

Input to this program is the year-to-date offense tape (CFØ13T1) and output is a four-page listing. The input tape is read and various sub-scripted tables are incremented based upon the following offenses: murder, manslaughter, forcible rape, attempt rape, armed robbery, strong-armed robbery, assault with a gun, assault with a knife, assault with other weapon, assault with hands, other assault, sex offenses, kidnapping, casualty, dead body, animal bite, sick call, suicide, attempt suicide. The subscripted tables are incremented in such a way as to separate the victim into the following categories: white male, negro male, other male, white female, negro female, other female and not stated. These counts are then printed onto a four-page listing and divided so that the counts are divided by month. There are also monthly totals at the end of each line and victim category totals at the end of each column. This program is run for several agencies in the ALERT system and therefore the amount of computer time used for each agency's run is tabulated and printed on the console.

II. DETAILED DESCRIPTION

The time of day is accepted from a computer and moved to a work area. The input tape, code file and output printer are opened. Spaces are moved to various work areas and zeros are moved to various accumulation tables. A control card is accepted containing the date of the run and the first tape record is read.

CK-AGY. The purpose of this paragraph is to determine which of the agencies participating in the ALERT system are to receive the output of this program. This is done by moving the originating agency code found in the record to the nominal key of a code file and reading this file. There is a flag in the record found in the code file that will indicate whether or not this agency is to receive the report and if it is, an expanded literal indicating the name of the agency is taken from the record and moved to a work area for printing at a later time.

READ-IN is the read paragraph that reads all the records from the year-to-date tape other than the first one. It compares the agency code with the agency from the previous record and if equal falls through to the next paragraph, but if unequal goes to the paragraph entitled OUTPUT-ROUTINE.

CK-REC-TYP selects the name record and the offense statistical record from the complement of records being read, and transfers control to the appropriate paragraph. It also checks the date in each record and if there is an invalid date when the offense occurred a literal is displayed upon the console and control returns to the read paragraph. If the record just read is the name record, control is transferred to the paragraph entitled FIRST-RECORD, otherwise control falls through to the following paragraph.

SKIP-LAST-COMPARE. This paragraph sets the appropriate table subscriptors according to the offense code contained in the record. If the offense code is other than one of the valid previously described codes, control is returned to the read paragraph.

TEN-POINT sets the appropriate table subscriptors based upon the race and sex of the victim.

ADD-OR-SUB determines whether the offense in question has been unfounded and if so transfers control to the subtract routine, otherwise control falls through to the following paragraph.

ADD-ROUTINE. This paragraph is executed if the offense in question has not been unfounded. The function of the paragraph is to add to the appropriate table according to the value contained in the various subscriptors.

SUBTRACT-ROUTINE is executed only if the offense has been unfounded and the function is to subtract from the same tables that the add routine increments. Control from both the add routine and the subtract routine is returned to the read paragraph.

FIRST-RECORD. This paragraph extracts the race and sex from the name record and moves them to a work area. Control is returned to the read paragraph.

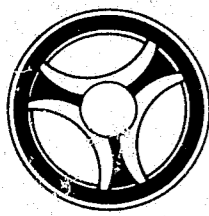
OUTPUT-ROUTINE. This paragraph is executed only when all of the records pertaining to one originating agency have been read and tabulated. The function is to set all of the subscriptors to the starting position so that the listing can be printed for a single agency.

NEW-PAGE increments the page counter and causes the heading to be printed at the top of each individual page.

BUILDING-OFFENSE-HEADING causes the first line of the correct offense heading to be printed on the listing.

INDEX NUMBER  
CFØ1Ø-Ø2

INDEX NUMBER  
CFØ1Ø-Ø3



PROGRAMMING DOCUMENTATION

SECTION

OFFENSE PROGRAMS

DATE ISSUED

DATE REVISED

January 16, 1973

SYSTEM FLOW CHART

Page 1 of 1

FLOWCHART

DESCRIPTION

X-BUILDING-OFFENSE-HEADING causes the second line of the correct offense header to be printed on the listing.

PRINTING-ACCUMULATION-TABLE sets up and prints the accumulated counts according to the correct month and victim.

SKIP causes a blank line to be printed on the listing between each set of counts.

END-OF-GROUP, NEXT-INSTRUCTION, LAST-OF-PAGE. These three paragraphs combine to control the number of lines printed on a page and transfer control to the appropriate heading paragraph when the end of a page is reached. When the fourth page of the report for each individual agency has been printed control falls through to the following paragraph.

LAST-OF-REPORT checks the originating agency code to see if the last agency's report has been printed and if so moves one to an end switch and transfers control to a paragraph entitled CK-END. Otherwise control falls through to the following paragraph.

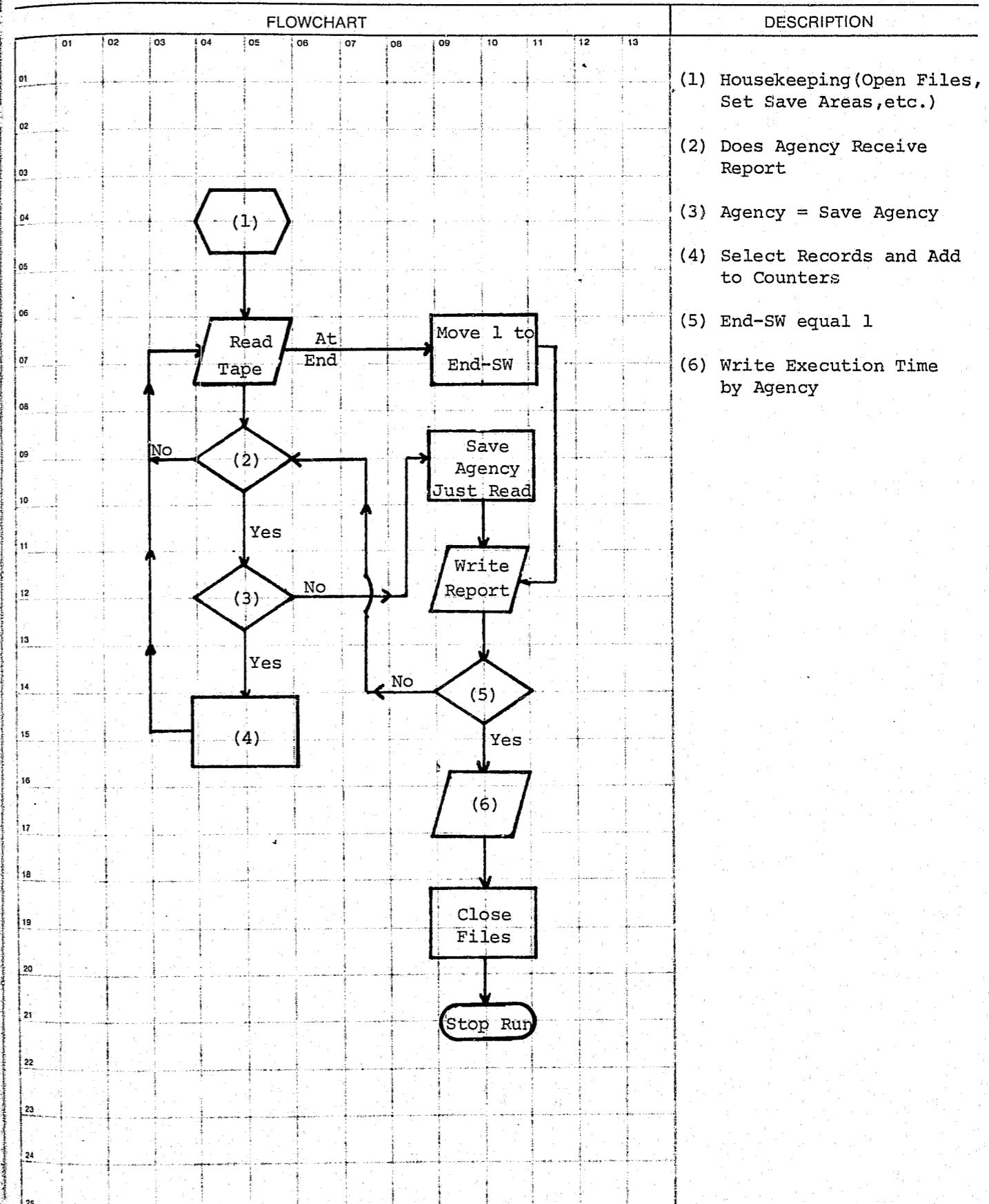
T-ROUT, ET-ROUT. These two paragraphs combine to figure the amount of computer time taken for each individual agency and that information is moved to a work area.

CK-END. This paragraph checks the end switch and if equal to one control is transferred to the paragraph entitled STOP JOB. Otherwise it resets all of the tables, counters and work areas to zeros and spaces and transfers control back to the READ paragraph.

STOP-JOB simply closes the tape file, the code file and the output file.

ADD-1, CK-SWY. These two paragraphs combine to actually print the amount of computer time taken by each individual agency upon the console.

STOP-RUN. This paragraph is the end paragraph and displays a normal end-of-job message upon the console.



- (1) Housekeeping (Open Files, Set Save Areas, etc.)
- (2) Does Agency Receive Report
- (3) Agency = Save Agency
- (4) Select Records and Add to Counters
- (5) End-SW equal 1
- (6) Write Execution Time by Agency

System No.	System Title:		
Date Prepared:	Prepared By:	Revision Date:	Revised By:
Date Approved:	Approved By:		

INDEX NUMBER  
CF010-05

INDEX NUMBER  
CF010-05

DESCRIPTION OF COMPUTER REPORT OR LISTING

DATE	ID NO.
------	--------

NEW  REVISION—SHOW WHY IN 'COMMENTS'

TITLE OF REPORT OR LISTING VICTIM BY RACE AND SEX - CFØ1ØL1	
PURPOSE OR FUNCTION IT SERVES  THIS REPORT ADVISES OF THE RACE AND SEX OF THE INDIVIDUAL VICTIMS FOR PART I CRIMES DISPLAYED BY MONTH OF OCCURRENCE.	
ORIGINATES FROM (SHOW COMPUTER RUN AND/OR MAIN FILE FROM WHICH DATA IS DEVELOPED AND SPAN OF TIME COVERED OR AGE OF DATA)  THIS INFORMATION IS EXTRACTED FROM THE YEAR TO DATE OFFENSE TAPE - CFØ13T1	
NO. COPIES	FREQUENCY ISSUED <input type="checkbox"/> DAILY <input type="checkbox"/> WEEKLY <input checked="" type="checkbox"/> MONTHLY <input type="checkbox"/>
DESIGN FORMAT APPROVED BY	DATE RELEASE PERIOD

DETAILED EXPLANATION OF DATA (WHEN PRINTED CAPTIONS ARE NOT SELF EXPLANATORY)

CFØ1ØL1 DISPLAYS SIX TWO-DIMENSIONAL ARRAYS PER PAGE, EACH ARRAY REPRESENTING HORIZONTALLY SEX, RACE, CLASSIFICATIONS OF:

- A. WHITE MALE
- B. NEGRO MALE
- C. OTHER MALE
- D. WHITE FEMALE
- E. NEGRO FEMALE
- F. OTHER FEMALE
- G. NOT STATED
- H. TOTAL FOR MONTH

AND VERTICALLY THE MONTHS OF THE YEAR AND TOTAL OCCURRENCES.

EACH ARRAY REPRESENTS A SEPARATE PART I CRIME AND DISPLAYS FIGURES FOR ALL MONTHS TO THE CURRENT MONTH OF THE CURRENT CALENDAR YEAR.

COPY DISTRIBUTION

SENT TO	RETENTION	DISPOSITION
1 ORIGINATING AGENCY (3)		
2 FILE (1)		
3		
4		
5		
6		

COMMENTS

INDEX NUMBER  
CFØ1Ø-Ø7

CONTINUE ON REVERSE SIDE

MONTH	WHITE MALE	NEGRO MALE	OTHER MALE	WHITE FEMALE	NEGRO FEMALE	OTHER FEMALE	NOT STATED	TOTAL MONTH	WHITE MALE	NEGRO MALE	OTHER MALE	WHITE FEMALE	NEGRO FEMALE	OTHER FEMALE	NOT STATED	TOTAL MONTH
JANUARY	0	3	0	2	1	0	0	6	1	1	0	0	1	0	0	3
FEBRUARY	0	3	0	0	1	0	0	4	3	0	0	2	1	0	0	6
MARCH	5	5	0	1	0	0	0	11	2	0	0	0	0	0	0	2
APRIL	3	3	0	2	1	0	0	9	2	1	0	1	0	0	0	4
MAY	1	3	0	0	4	0	0	8	5	2	0	3	0	0	0	10
JUNE	2	4	0	0	0	0	0	6	1	1	0	0	0	0	0	2
JULY	0	2	0	1	0	0	0	3	2	0	0	2	0	0	1	5
AUGUST	1	0	0	1	0	0	1	3	2	1	0	1	1	0	0	5
SEPTEMBER	1	2	0	0	0	0	0	3	2	0	0	2	0	0	0	4
OCTOBER	2	4	0	1	1	0	1	9	1	1	0	1	1	0	0	4
NOVEMBER	0	1	0	2	0	0	0	3	0	0	0	1	0	0	0	1
DECEMBER	4	2	0	0	0	0	0	6	3	1	0	0	0	0	0	4
TOTAL	19	32	0	10	8	0	2	71	24	8	0	13	4	0	1	50

RAPE (FORCE) 0201

RAPE (ATTEMPT) 0291

MONTH	WHITE MALE	NEGRO MALE	OTHER MALE	WHITE FEMALE	NEGRO FEMALE	OTHER FEMALE	NOT STATED	TOTAL MONTH	WHITE MALE	NEGRO MALE	OTHER MALE	WHITE FEMALE	NEGRO FEMALE	OTHER FEMALE	NOT STATED	TOTAL MONTH
JANUARY	0	0	0	8	6	0	0	14	0	0	0	5	3	0	0	8
FEBRUARY	0	0	0	10	6	0	0	16	0	0	0	6	1	0	0	7
MARCH	0	0	0	11	13	0	0	24	0	0	0	2	5	0	0	7
APRIL	0	0	0	16	15	0	0	31	0	0	0	2	3	0	0	5
MAY	0	0	0	11	16	1	0	28	0	0	0	3	1	0	0	4
JUNE	0	0	0	14	13	0	0	27	0	0	0	3	4	0	0	7
JULY	0	0	0	11	16	0	0	27	0	0	0	6	3	0	0	9
AUGUST	0	1	0	16	16	0	0	33	0	0	0	4	2	0	0	6
SEPTEMBER	0	0	0	8	7	0	0	15	0	0	0	7	3	0	0	10
OCTOBER	1	0	0	8	10	0	0	19	0	0	0	1	7	0	0	8
NOVEMBER	0	0	0	8	7	0	0	15	0	0	0	3	5	0	0	8
DECEMBER	0	0	0	7	7	0	0	14	0	0	0	2	0	0	0	2
TOTAL	1	1	0	128	132	1	0	263	0	0	0	44	37	0	0	81

ROBBERY (ARMED) 0302-0390

ROBBERY (STRONG-ARM) 0301-0395

MONTH	WHITE MALE	NEGRO MALE	OTHER MALE	WHITE FEMALE	NEGRO FEMALE	OTHER FEMALE	NOT STATED	TOTAL MONTH	WHITE MALE	NEGRO MALE	OTHER MALE	WHITE FEMALE	NEGRO FEMALE	OTHER FEMALE	NOT STATED	TOTAL MONTH
JANUARY	30	24	1	14	2	0	33	104	16	10	1	22	7	1	6	63
FEBRUARY	23	13	0	7	8	0	55	106	18	18	0	13	10	0	6	65
MARCH	39	15	1	10	6	0	58	129	18	11	0	17	13	0	6	65
APRIL	25	12	0	7	3	0	34	81	15	12	0	16	7	0	7	57
MAY	32	17	0	9	4	0	26	88	20	11	0	7	5	0	5	48
JUNE	22	20	0	7	8	0	36	93	29	7	0	5	10	0	5	56
JULY	20	19	1	3	5	0	45	93	26	13	0	19	4	0	7	69
AUGUST	40	10	0	16	5	0	49	120	33	13	0	17	5	0	8	76
SEPTEMBER	29	14	0	15	5	0	38	101	27	17	0	16	6	0	5	71
OCTOBER	34	32	0	11	5	0	68	150	26	5	0	15	6	0	7	59
NOVEMBER	39	12	0	14	6	0	39	110	21	13	0	22	5	0	6	67
DECEMBER	33	28	0	14	9	0	64	148	22	8	0	32	8	0	3	73
TOTAL	366	216	3	127	66	0	545	1323	271	138	1	201	86	1	71	769

INDEX NUMBER  
CFØ1Ø-Ø7



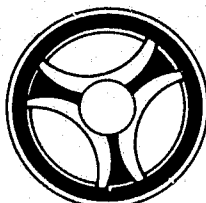
PROGRAMMING DOCUMENTATION

SECTION	
OFFENSE PROGRAMS	
DATE ISSUED	DATE REVISED
January 16, 1973	

PROGRAM TITLE: CIVIL INDEX LISTING BY LOCATION

DATE OPERATIONAL: January 16, 1973

PURPOSE: To provide a monthly listing of selected civil index incidences in alphabetic sequence by name of victim whether it be person or business.



SECTION

OFFENSE PROGRAMS

PROGRAMMING DOCUMENTATION

DATE ISSUED

DATE REVISED

January 16, 1973



SECTION

OFFENSE PROGRAMS

PROGRAMMING DOCUMENTATION

DATE ISSUED

DATE REVISED

January 16, 1973

I. PROGRAM NARRATIVE

This program has multiple input and multiple output. The primary objective of this program is to create a civil index listing report and this is done by reading the master file backup tapes as input and printing this report from the information extracted from these tapes. A second function of the program is to create output tapes to be used as input for other programs. The first of these output tapes is the monthly civil index tape and is created from information taken from the input master file tapes. The second output is a year-to-date civil index tape and it is created by reading the previous month's creation of the year-to-date tape and merging it with the present month's civil index tape to create an updated year-to-date tape. The report that this program produces is a multi-page report containing a single line of information per offense. The particulars contain on each line reading from left to right are as follows: victim's name, victim's address, type of offense, case report number, date of offense. The word offense in relation to this program is misleading as the occurrences are not necessarily offenses. The following list indicates the type of occurrences that this program tabulates: traffic accidents, recovered property, miscellaneous investigation, vice activities, juvenile apprehension, bomb threat, open door, mental, missing person, intoxication report, telephone calls, other miscellaneous reports, robbery or burglary investigation arrests, unfounded report, laboratory examination, confiscated fire arms, state warrant, miscellaneous correspondence, accident, kidnapping, miscellaneous or not stated. Without listing them it must be known that all Part I and Part II offenses are counted as incidences in addition to the above list.

II. DETAILED DESCRIPTION

The internal Sort file is initiated.

BUILD-RECORDS opens the input master file tape, the output new year-to-date tape, monthly tape and listing. This paragraph also accepts the control card containing the date and edits it for valid information. If there is an error in the control card a message is displayed upon the console and control is transferred to the END JOB paragraph.

ACCEPT-CARDS. This program creates as output listings for several different agencies participating in the ALERT System. The agencies are identified by a series of control cards which are accepted in this paragraph. As each control card is accepted containing the agency code the information is moved to a subscripted save area.

ALL-CARDS-ACCEPTED. After all of the control cards have been read in from the previous paragraph this paragraph resets the subscriptor to 1 so that the first agency is ready to be processed.

READ-IN reads the master file tape and selects either name type records or civil index type records. If a civil index record is read control is transferred to the paragraph entitled CIVIL-INDEX-REC otherwise control falls through to the following line. The name record is then checked to ascertain if the victim is a person or a business.

IT-WAS-ZEROS moves the person's or business name to the Sort area and control is returned to the READ paragraph.

CIVIL-INDEX-REC checks to be sure that the civil index record read has the same ALERT number as the previous name record read and if not control is transferred back to the READ paragraph.

CK-ORI, REQ-AGNCY-MATCH compare the originating agency code with the one that is contained in the presently subscripted control card to see if they are equal. If they are equal control falls through to the next line; however, if they are not the subscriptor is incremented by 1 so that the next agency is ready to be processed and control is returned to the READ paragraph.

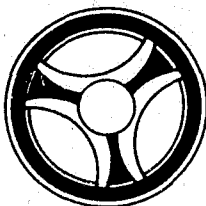
BACK-IN causes the pertinent information from the civil index type record, namely the location, type of offense, case report number, and date of offense to be moved to the Sort area. This paragraph also converts the offense code to a meaningful literal before it is released to the Sort. When all the fields have been moved in the Sort record is released and the monthly tape output record is written. Control then returns to the READ paragraph.

At this point in the program after all of the records for all of the originating agency codes have been loaded into the Sort and written on the monthly tape, the Sort is then executed. The records are sorted by victim's name within originating agency.

PRINT-IT-OUT. This paragraph returns the sorted records in formatted form and prints them on the listing. It also performs the header routine at the top of each page of the listing. It causes the printer to start at the top of a new page as each new originating agency code is detected. When the last record is returned from the Sort control is transferred to the paragraph entitled END-RUN.

END-RUN merely closes the input master file tape.

INDEX NUMBER  
CF011-02INDEX NUMBER  
CF011-03



PROGRAMMING DOCUMENTATION

SECTION

OFFENSE PROGRAMS

DATE ISSUED

January 16, 1973

DATE REVISED

SYSTEM FLOW CHART

Page 1 of 2

FLOWCHART

DESCRIPTION

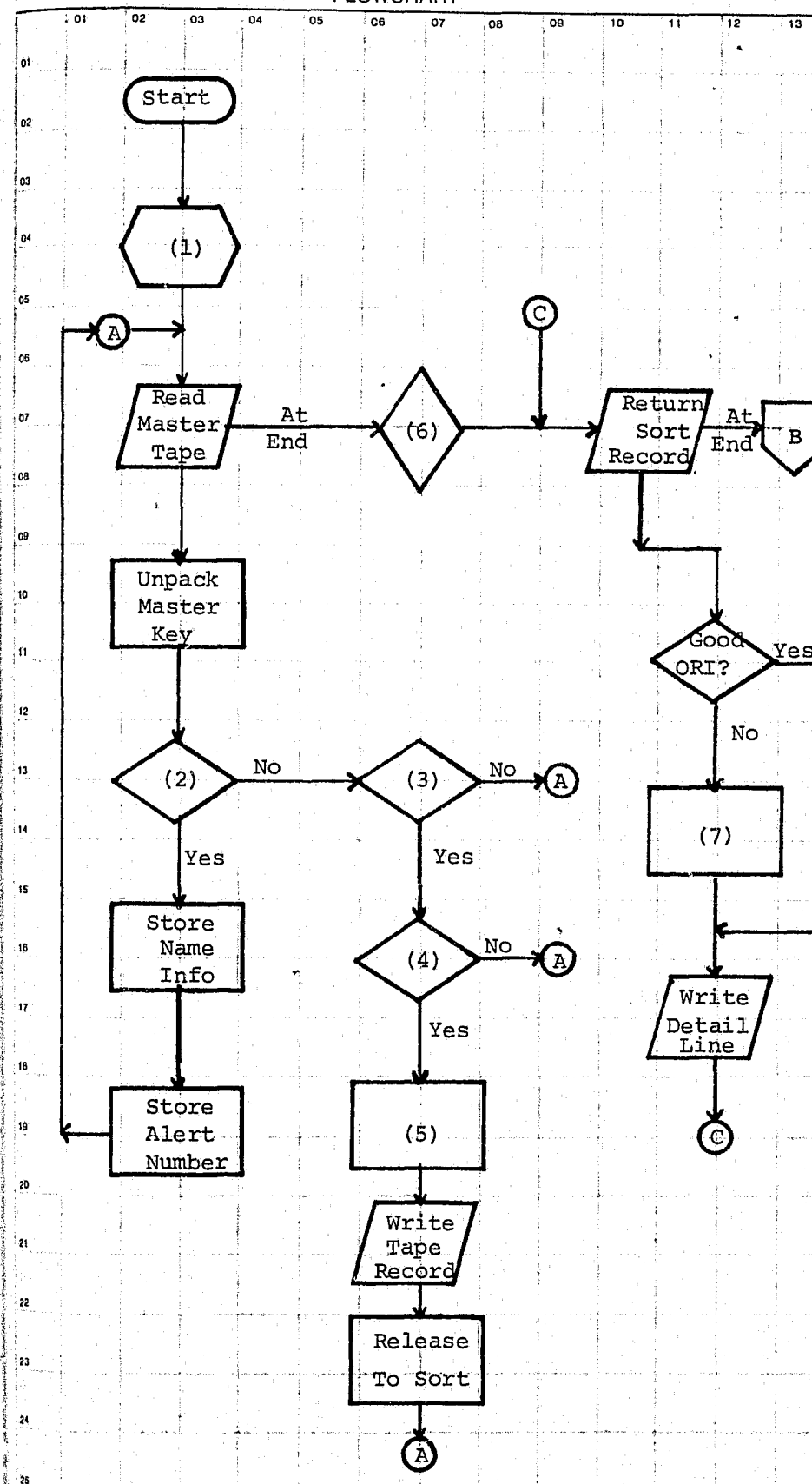
REWITING-OLD-TAPE, REWITING-V-TAPE, OLD-TAPE-REWRITEN, COMPLETING-YTD-TAPE. These four paragraphs combine to read the old year-to-date tape and the tape that was previously created within this program to create the new year-to-date tape.

HEADER-ROUTINE is a performed paragraph that actually prints the headers at the top of each page of the listing.

SUFFIX-ROUTINE is a performed paragraph that expands a one-digit code from the input record to an expanded literal such as street, avenue, boulevard, etc.

SET-HEADING, TRY-AGAIN combine as performed paragraphs that cause the correct expanded originating agency literal to be moved to the header area for printing.

END-JOB is the ending paragraph which simply closes all of the input and output files.

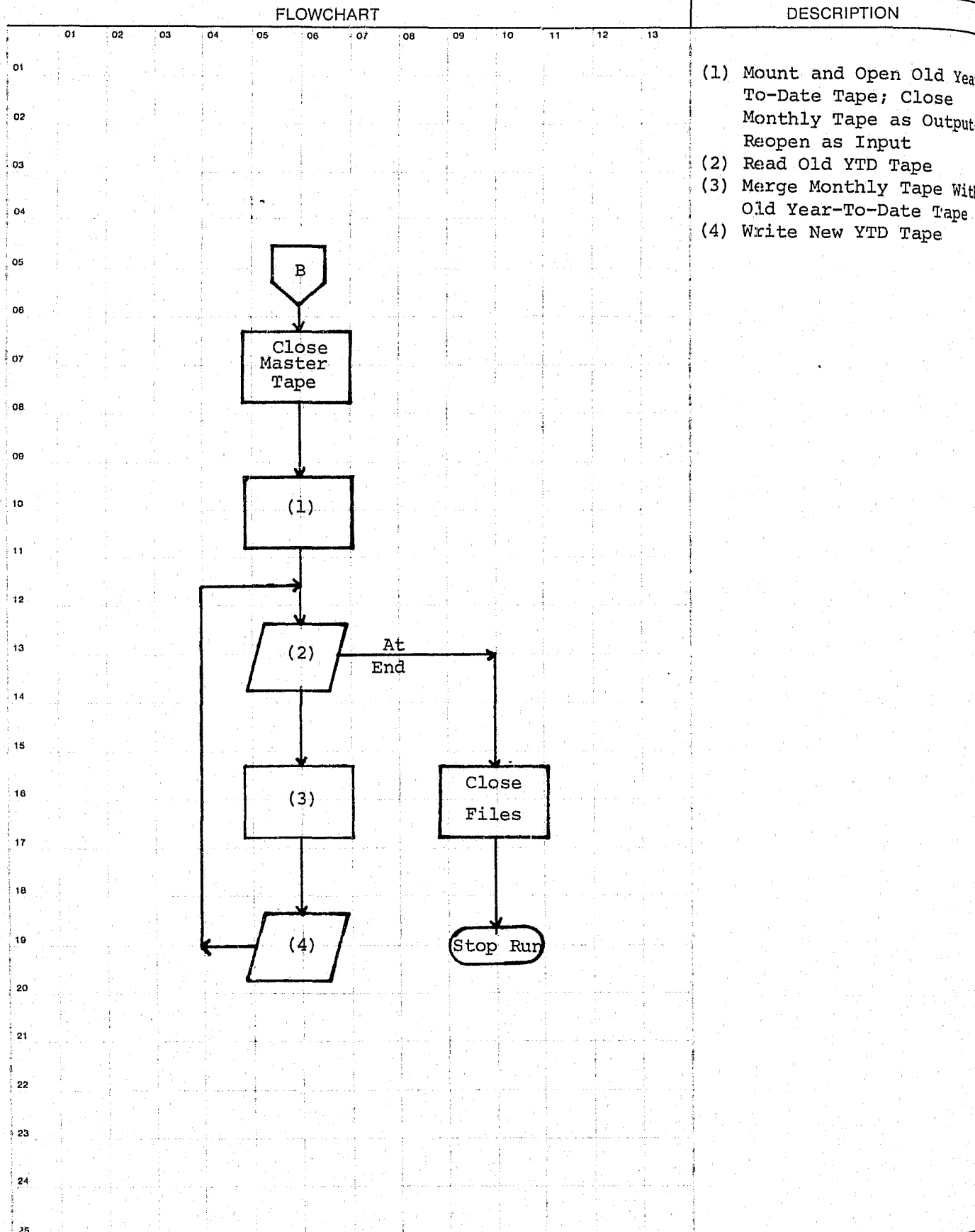


- (1) Accept Control Cards- Open Files
(2) Record Type = 10
(3) Record Type = 90
(4) Good Record Match on Alert Number, ORI, and Case Report Number
(5) Move Address, Offense, and Stored Name Information Tape Write Line
(6) Sort Records
(7) Move ORI to Stored ORI; Increment page; Write Headings

INDEX NUMBER CF011-04

System No. System Title: Date Prepared: Prepared By: Revision Date: Revised By: Date Approved: Approved By:

INDEX NUMBER CF011-05



- (1) Mount and Open Year To-Date Tape; Close Monthly Tape as Output. Reopen as Input
- (2) Read Old YTD Tape
- (3) Merge Monthly Tape With Old Year-To-Date Tape
- (4) Write New YTD Tape

MONTHLY CIVIL INDEX TAPE - CF011L1

E D P RECORD LAYOUT

BLOCK CONTAINS 20 RECORDS, RECORD CONTAINS 95

01	
02	
03	
04	
05	
06	
07	
08	
09	
10	
11	
12	
13	
14	
15	
16	
17	
18	
19	
20	
21	
22	
23	
24	
25	
26	
27	
28	
29	
30	
31	
32	
33	
34	
35	
36	
37	
38	
39	
40	
41	
42	
43	
44	
45	
46	
47	
48	
49	
50	
51	
52	
53	
54	
55	
56	
57	
58	
59	
60	
61	
62	
63	
64	
65	
66	
67	
68	
69	
70	
71	
72	
73	
74	
75	
76	
77	
78	
79	
80	
81	
82	
83	
84	
85	
86	
87	
88	
89	
90	
91	
92	
93	
94	
95	

01	ORI
02	LAST NAME
03	FIRST NAME
04	FILTER
05	FILTER
06	FILTER
07	STREET NO. OR E/W STREET
08	STREET NAME
09	ST SUFFIX
10	CITY
11	STATE
12	OFFENSE CODE
13	CASE REPORT NUMBER
14	DATE MM/DD/YY

System No.	System Title:		
Date Prepared:	Prepared By:	Revision Date:	Revised By:
Date Approved:	Approved By:		

INDEX NUMBER CF011-06

INDEX NUMBER CF011-07

svr 5.0. (7-69)

**EDP RECORD LAYOUT**

YEAR-TO-DATE CIVIL INDEX TAPE - CF011T2

BLOCK CONTAINS 20 RECORDS, RECORD CONTAINS 95

ORI	NAME			LOCATION				STATE	OFFENSE CODE	CASE REPORT NUMBER	DATE MM/DD/YY
	LAST NAME	FIRST NAME	FILER MI FILER JR/SR	STREET NO. OR E/W STREET	FILER	STREET NAME	ST SUFFIX				

--	--	--	--	--	--	--	--	--	--	--	--

--	--	--	--	--	--	--	--	--	--	--	--

--	--	--	--	--	--	--	--	--	--	--	--

--	--	--	--	--	--	--	--	--	--	--	--

NEW       REVISION - SHOW WHY IN 'COMMENTS'

TITLE OF REPORT OR LISTING  
 MONTHLY CIVIL INDEX LISTING - CF011L1

PURPOSE OR FUNCTION IT SERVES  
 THIS REPORT LISTS BY VICTIM'S NAME ALPHABETICALLY ALL CIVIL INDEX OFFENSES REPORTED FOR THE MONTH PROVIDING A MANUAL REFERENCE GUIDE TO ALL OFFENSES ENTERED INTO THE ALERT II SYSTEM.

ORIGINATES FROM (SHOW COMPUTER RUN AND/OR MAIN FILE FROM WHICH DATA IS DEVELOPED AND SPAN OF TIME COVERED OR AGE OF DATA)  
 THIS INFORMATION IS EXTRACTED FROM THE MASTER FILE BACKUP TAPES - RB609T1 THROUGH T6.

NO. COPIES      FREQUENCY ISSUED  
 DAILY       WEEKLY       MONTHLY     

DESIGN FORMAT APPROVED BY      DATE      RELEASE PERIOD

**COPY DISTRIBUTION**

SENT TO	RETENTION	DISPOSITION
1 ORIGINATING AGENCY (3)		
2 FILE (1)		
3		
4		
5		
6		

COMMENTS

INDEX NUMBER  
 CF011-09

DETAILED EXPLANATION OF DATA (WHEN PRINTED CAPTIONS ARE NOT SELF EXPLANATORY)

ORGANIZATION IS ALPHABETICAL BY VICTIM'S LAST NAME. HEADINGS SELF-EXPLANATORY.

CONTINUE ON REVERSE SIDE



NAME OF (PERSON OR BUSINESS)	APT. NO.	LOCATION OF OFFENSE	TYPE OF OFFENSE	CASE REPORT NUMBER	DATE OF OFFENSE
[REDACTED]	42	VIRGINIA	KANS CITY MO CONFISCATED FIREARMS	0001 31	12/24/72
[REDACTED]	AD	CHICAGO	KANS CITY MO TRAFFIC ACCIDENTS	0001 09	12/15/72
[REDACTED]	33	CHICAGO	KANS CITY MO CONFISCATED FIREARMS	0001 05	12/05/72
[REDACTED]	TR	COLUMBIA	KANS CITY MO TRAFFIC ACCIDENTS	0001 25	12/08/72
[REDACTED]	31	BROOKLYN	KANS CITY MO TRAFFIC ACCIDENTS	0001 84	12/25/72
[REDACTED]	42	LOUISIANA	KANS CITY MO TRAFFIC ACCIDENTS	0001 58	12/13/72
[REDACTED]	70	WICHITA	KANS CITY MO TRAFFIC ACCIDENTS	0001 23	12/03/72
[REDACTED]	AD	CHICAGO	KANS CITY MO TRAFFIC ACCIDENTS	0001 14	12/14/72
[REDACTED]	55	WICHITA	KANS CITY MO TRAFFIC ACCIDENTS	0001 12	12/08/72
[REDACTED]	71	MINNESOTA	KANS CITY MO TRAFFIC ACCIDENTS	0001 23	12/18/72
[REDACTED]	30	INDIANA	KANS CITY MO TRAFFIC ACCIDENTS	0001 30	12/22/72
[REDACTED]	47	CENTRAL	KANS CITY MO MISCELLANEOUS	0001 62	12/23/72
[REDACTED]	24	TEXAS	KANS CITY MO ROBBERY	0001 27	12/19/72
[REDACTED]	HE	KANS CITY MO STATE WARRANT	0001 43	12/27/72	
[REDACTED]	35	50	KANS CITY MO MISCELLANEOUS	0001 65	12/17/72
[REDACTED]	15	PROJECT	KANS CITY MO LARCENY	0001 73	12/26/72
[REDACTED]	13	LAWRENCE	KANS CITY MO MAL. DEST. PROP.	0001 29	12/01/72
[REDACTED]	13	LAWRENCE	KANS CITY MO LARCENY	0001 99	12/29/72
[REDACTED]	36	PERU	KANS CITY MO BURGLARY	0001 82	12/18/72
[REDACTED]	55	COLUMBIA	KANS CITY MO TRAFFIC ACCIDENTS	0001 43	12/24/72
[REDACTED]	52	TEXAS	KANS CITY MO LARCENY	0001 75	12/19/72
[REDACTED]	11	WICHITA	KANS CITY MO TRAFFIC ACCIDENTS	0001 71	12/14/72
[REDACTED]	13	WICHITA	KANS CITY MO LARCENY	0001 37	12/10/72
[REDACTED]	VI	GARDEN	KANS CITY MO TRAFFIC ACCIDENTS	0001 64	12/15/72
[REDACTED]	13	BROOKLYN	KANS CITY MO MAL. DEST. PROP.	0001 51	12/25/72
[REDACTED]	12	WICHITA	KANS CITY MO TRAFFIC ACCIDENTS	0000 21	12/01/72
[REDACTED]	27	BURBANK	KANS CITY MO TRAFFIC ACCIDENTS	0001 22	12/11/72
[REDACTED]	RE	INDIANA	KANS CITY MO TRAFFIC ACCIDENTS	0001 23	12/12/72
[REDACTED]	70	BURBANK	KANS CITY MO TRAFFIC ACCIDENTS	0001 31	11/22/72
[REDACTED]	25	INDIANA	KANS CITY MO BURGLARY	0001 48	12/15/72
[REDACTED]	FR	CHICAGO	KANS CITY MO TRAFFIC ACCIDENTS	0001 28	12/11/72
[REDACTED]	LD	JACKSON	KANS CITY MO TRAFFIC ACCIDENTS	0001 23	12/04/72
[REDACTED]	73	TEXAS	KANS CITY MO INTOXICATION REPORT	0001 15	12/31/72
[REDACTED]	73	TEXAS	KANS CITY MO INTOXICATION REPORT	0001 15	12/31/72
[REDACTED]	24	MICHIGAN	KANS CITY MO LARCENY	0001 20	12/14/72
[REDACTED]	54	BURBANK	KANS CITY MO TRAFFIC ACCIDENTS	0001 37	12/18/72
[REDACTED]	37	30	KANS CITY MO RECOVERED PROPERTY	0001 56	12/24/72
[REDACTED]	54	AD	KANS CITY MO TRAFFIC ACCIDENTS	0001 21	12/02/72
[REDACTED]	17	26	KANS CITY MO BURGLARY	0001 42	12/29/72
[REDACTED]	30	MO	KANS CITY MO NON-AGGR. ASSAULT	0001 00	12/07/72
[REDACTED]	35	ANN ARBOR	KANS CITY MO TRAFFIC ACCIDENTS	0001 86	12/11/72
[REDACTED]	30	HANSON	KANS CITY MO MENTAL	0001 30	12/21/72
[REDACTED]	33	TEXAS	KANS CITY MO TRAFFIC ACCIDENTS	0001 21	12/11/72
[REDACTED]	30	HANSON	KANS CITY MO OTHER PT. 2 OFFENSES	0001 58	12/20/72
[REDACTED]	57	BROOKLYN	KANS CITY MO UNFOUNDED REPORT	0001 86	12/16/72
[REDACTED]	97	COLUMBIA	KANS CITY MO ACCIDENT	0001 53	12/15/72
[REDACTED]	48	WICHITA	KANS CITY MO ROBBERY	0001 04	12/19/72
[REDACTED]	51	ST. LOUIS	KANS CITY MO MENTAL	0001 56	12/10/72
[REDACTED]	28	QUINCY	KANS CITY MO AUTO THEFT	0001 01	12/31/72
[REDACTED]	18	BROOKLYN	KANS CITY MO TRAFFIC ACCIDENTS	0001 86	12/19/72
[REDACTED]	30	KANS CITY	KANS CITY MO MISSING PERSON	0001 55	12/21/72
[REDACTED]	6	KANS CITY	KANS CITY MO TRAFFIC ACCIDENTS	0001 14	12/13/72

INDEX NUMBER  
CF012-01

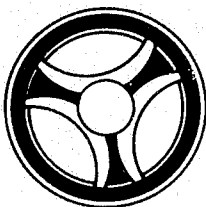
PROGRAMMING DOCUMENTATION



PROGRAM TITLE: CRIME INDEX LISTING  
 DATE OPERATIONAL: January 16, 1973  
 PURPOSE: To produce a monthly listing of Part I crimes for all ALERT agencies participating in the offense system.

SECTION	OFFENSE PROGRAMS
DATE ISSUED	DATE REVISED
January 16, 1973	

INDEX NUMBER  
CF012-01



## PROGRAMMING DOCUMENTATION

SECTION

OFFENSE PROGRAMS

DATE ISSUED

DATE REVISED

January 16, 1973

I. PROGRAM NARRATIVE

Input to this program is the monthly offense tape (CFØ14T1); output is a two-part listing of Part I offenses. The first of the two listings is sorted by address of occurrence and the second is sorted into sequence by offense. The input tape is read and all statistical information is collected for one agency at a time. The information is then loaded into a Sort and sorted into address sequence. Upon return from the Sort the first listing is printed, and also a tape is created containing the identical information contained on the listing. The information is then read back from the tape into a second Sort and sorted into offense sequence and a second report is printed. This report is identical in format to the first report. This entire process is repeated for each participating agency so that each receives two reports. The amount of computer time spent in preparing and listing reports for each agency is tabulated and listed on the console at the end of each individual run.

II. DETAILED DESCRIPTION

The time of day is accepted from the computer, input and output files are opened, the present date is accepted from the computer, and various work areas are spaced out and counters zeroed out.

SORT-RECS causes the first and second sort to be initiated.

BUILD-RECORDS opens a scratch tape for temporary output, and checks a switch to see if the first record has been read.

READ-IN reads the input tape, checks the switch to see if this is the first record read and if not control is transferred to the paragraph entitled CK-AGY. Otherwise the agency code is moved to a save area and control falls through to the following paragraph.

CK-AGY moves the agency code to a nominal key and a code file is read to ascertain if the agency in question is to receive the output of this program. If not control returns to the read paragraph. Otherwise the expanded literal of the agency is moved to the header area.

CK-RECTYP checks the type of record just read and if a name record moves the pertinent information from that record in formatted form to the Sort area and control returns to the READ paragraph. If other than a name record control is transferred to paragraph entitled SECOND-RECORD.

INDEX NUMBER  
CFØ12-Ø2

## PROGRAMMING DOCUMENTATION

SECTION

OFFENSE PROGRAMS

DATE ISSUED

DATE REVISED

January 16, 1973

SECOND-RECORD. This paragraph separates the offense statistical records, the offense stolen property records, and the offense location records and transfers control to the appropriate paragraph name. If other than one of these three type records is encountered control returns to the READ paragraph.

FIRST-SIXTY-TYPE is the paragraph that is branched to if an offense statistical record is encountered in the previous paragraph. This paragraph expands the four-digit offense code to a meaningful literal and moves this information in formatted form to the Sort area. Control returns to the READ paragraph.

SECOND-SIXTY-TYPE, FOUND-PROP-TYPE. These two paragraphs combine to process any stolen property records encountered and move the pertinent information in formatted form to the Sort area. Control is then transferred back to the READ paragraph.

THIRD-SIXTY-TYPE, FOURTH-SIXTY-TYPE combine to handle address of occurrence records whether they be actual addresses or intersection addresses and move the pertinent address information in formatted form to the Sort area. Control returns from these paragraphs to the READ paragraph.

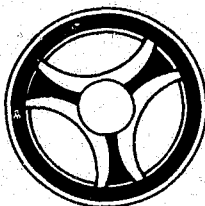
All the previously defined paragraphs are executed repeatedly until the agency code changes. When this occurs it means that all information for a single agency has been collected and control transfers to the first Sort. The records are then sorted into address sequence and control falls through to the following paragraph.

OUTPUT-ROUTINE checks a switch to see if any records were released to the Sort and if not displays a message upon the console and returns control to the READ paragraph. Otherwise the first header is performed and control falls through to the following paragraph.

RETURNING-RECORDS-FIRST-TIME returns the sorted records and writes the first listing directly from those sorted records. Also an output tape is created with the same records. This paragraph is repeated until the last record is returned from the Sort and then control falls through to the following paragraph.

END-FIRST-OUTPUT moves spaces to the list area and causes the printer to position itself at the top of a new page.

INDEX NUMBER  
CFØ12-Ø3



PROGRAMMING DOCUMENTATION

SECTION

OFFENSE PROGRAMS

DATE ISSUED

DATE REVISED

January 16, 1973



PROGRAMMING DOCUMENTATION

SECTION

OFFENSE PROGRAMS

DATE ISSUED

DATE REVISED

January 16, 1973

FIRST-END-OUTPUT is an exit from the first routine and transfers control to the following paragraph.

L-2-BUILD-RECORDS. This paragraph closes the output tape created by the first Sort and re-opens it as input.

READ-IN-AGAIN reads the tape that was opened in the previous paragraph and releases the records to the second Sort. This paragraph is repeated until all the records have been read from the tape and released to the Sort. At that point control returns to the second Sort and the records are re-sorted in sequence by offense and control is then returned to the following paragraph.

L-2-OUTPUT-ROUTINE resets the page accumulator so the first page number will be 1, moves a new literal to the header line and performs the first header for the second listing.

RETURNING-RECORDS-SECOND-TIME returns the records from the second Sort and writes the second listing from those records. This paragraph is repeated until all of the records have been returned from the Sort and the second listing printed, and then control is transferred to the following paragraph.

END-SECOND-OUTPUT closes the tape which will be re-opened at a later time as input and then the originating agency code is checked to see if this is the last agency that a report will be printed for. If it is the last agency control is turned over to the paragraph entitled CK-END. Otherwise the following routines are performed.

T-ROUT, ET-ROUT. These two paragraphs combine to figure the exact amount of computer time used to produce the two reports for each individual agency. This information is moved to a save area for printing at a later time.

CK-END is the paragraph that resets all switches and zeros out hold areas to make ready for the entire cycle to start over again for the next agency to receive the reports. Control is transferred from this paragraph back to the beginning of the paragraph entitled SORT-RECS.

The entire cycle that has just been described is repeated for each individual agency that is to receive the two reports. When the last agency has been completely processed the control falls through to the following paragraph.

STOP-JOB closes the input tape, the code file and the printer.

ADD-1, CK-SWY combine to print the correct amount of computer time used to produce each individual agency's report.

HEADER-ROUTINE is a performed paragraph that actually prints the different headings on the listing.

EOJ-EXIT causes a normal end-of-job message to be displayed upon the console.

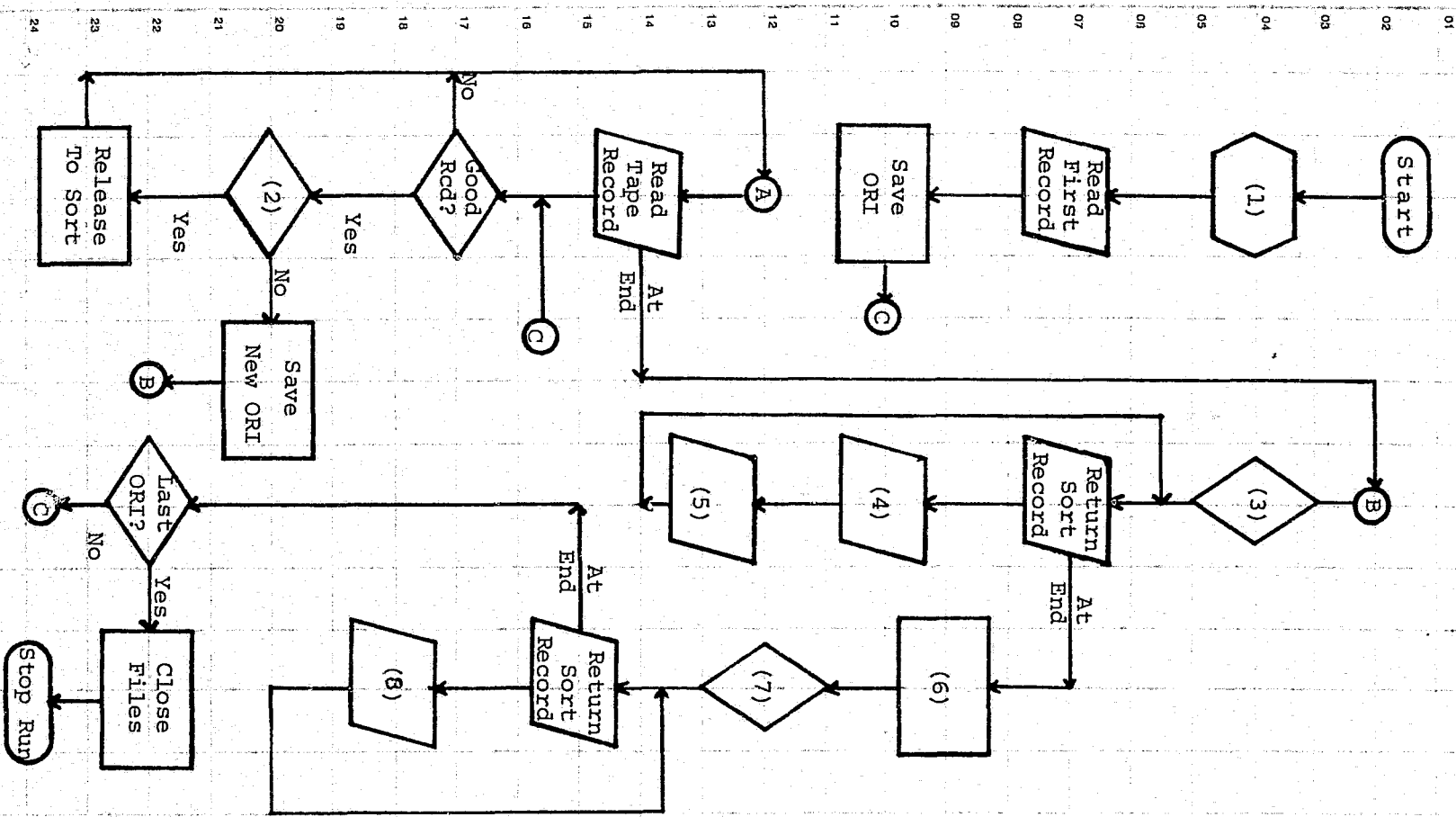
INDEX NUMBER  
CF012-04

INDEX NUMBER  
CF012-05

FLOWCHART

DESCRIPTION

- (1) Accept Control Cards- Open Files
- (2) ORI = Saved ORI
- (3) Sort By Address
- (4) Write Scratch Tape
- (5) Print Listing in Address of Occurrence sequence
- (6) Close Scratch Tape as Output - reopen as Input
- (7) Read Scratch Tape Into Sort and Sort Records by Offense Type
- (8) Print Listing by Address within Offense Type



System No. \_\_\_\_\_ System Title: \_\_\_\_\_  
 Date Prepared: \_\_\_\_\_ Prepared By: \_\_\_\_\_  
 Date Approved: \_\_\_\_\_ Approved By: \_\_\_\_\_  
 Revision Date: \_\_\_\_\_ Revised By: \_\_\_\_\_

NEW  REVISION - SHOW WHY IN COMMENTS

TITLE OF REPORT OR LISTING  
 CRIME INDEX REPORT BY LOCATION - CF012L1  
 CRIME INDEX REPORT BY OFFENSE - CF012L2

PURPOSE OR FUNCTION IT SERVES  
 THESE REPORTS PROVIDE MANUAL REFERENCE LISTS TO ALL PART I OFFENSES OCCURRING FOR THAT MONTH.

ORIGINATES FROM (SHOW COMPUTER RUN AND/OR MAIN FILE FROM WHICH DATA IS DEVELOPED AND SPAN OF TIME COVERED OR AGE OF DATA)  
 THIS INFORMATION IS EXTRACTED FROM THE MONTHLY OFFENSE TAPE - CF014T1.

NO. COPIES \_\_\_\_\_ FREQUENCY ISSUED  
 DAILY  WEEKLY  MONTHLY

DESIGN FORMAT APPROVED BY \_\_\_\_\_ DATE \_\_\_\_\_ RELEASE PERIOD \_\_\_\_\_

DETAILED EXPLANATION OF DATA (WHEN PRINTED CAPTIONS ARE NOT SELF EXPLANATORY)

CF012L1 LISTS ALL PART I OFFENSES OCCURRING FOR THE MONTH SORTED IN ORDER OF LOCATION OF THE OFFENSE. HEADINGS ARE SELF-EXPLANATORY.

CF012L2 LISTS DUPLICATE INFORMATION TO CF012L1 ABOVE, WITH THE EXCEPTION THAT CF012L2 IS SORTED BY PART I OFFENSE RATHER THAN ADDRESS.

CONTINUE ON REVERSE SIDE

COPY DISTRIBUTION

SENT TO	RETENTION	DISPOSITION
1 ORIGINATING AGENCY (3)		
2 FILE (1)		
3		
4		
5		
6		

COMMENTS

INDEX NUMBER  
 CF012-07

NAME OF (PERSON OR BUSINESS)	LOCATION OF OFFENSE	TYPE OF OFFENSE	STOLEN PROPERTY	CASE NUMBER	REPORT DATE	TIME OF OFFENSE
KERS	CH	MO LARCENY U/5	MISC.	000	072	01/01/73 16:00
OS	R	MO LARCENY U/50	JEWELRY	000	553	01/02/73 NONE
R	R	MO LARCENY U/5	MISC.	000	098	01/30/73 11:00
WALD	R	MO BURGLARY	MISC.	000	050	01/29/73 NONE
TON	D	MO BURGLARY	JEWELRY	000	564	01/26/73 NONE
R	A	MO LARCENY U/50	CURRENCY	000	016	01/26/73 15:00
N	E	MO LARCENY U/50	MISC.	000	587	01/21/73 NONE
I	R	MO BURGLARY	MISC.	000	566	01/25/73 NONE
B	R	MO ROBBERY ARMED	MISC.	000	772	01/21/73 21:00
DOCH	R	MO BURGLARY	MISC.	000	567	01/04/73 NONE
S	L	MO BURGLARY	MISC.	000	518	01/14/73 NONE
W	R	MO LARCENY U/50	MISC.	000	906	01/08/73 16:00
NG	R	MO AUTO THEFT	MISC.	000	172	12/31/72 NONE
TT	H	MO LARCENY U/50	MISC.	000	802	01/25/73 21:00
ER	S	MO LARCENY U/50	CLOTHING	000	501	01/13/73 16:00
DGE	L	MO LARCENY U/50	MISC.	000	469	01/10/73 19:00
R	W	MO LARCENY U/50	MISC.	000	467	01/10/73 18:00
E	LLA	MO BURGLARY	MISC.	000	543	01/27/73 NONE
S	J	MO BURGLARY	JEWELRY	000	106	01/16/73 NONE
T	R	MO BURGLARY	CLOTHING	000	101	01/16/73 NONE
P	E	MO ASSAULT SIMPLE		000	512	01/18/73 16:00
M	S	MO AUTO THEFT	AUTOS	000	190	01/27/73 03:00
L	S	MO LARCENY ATTP		000	985	12/31/72 NONE
R	W	MO LARCENY U/50	MISC.	000	531	01/28/73 11:00
NTFR	W	MO LARCENY U/5	MISC.	000	446	01/05/73 NONE
H		MO ASSAULT AGGR		000	824	01/01/73 NONE
L	E	MO RAPE		000	534	01/28/73 19:00
AMS	MON	MO BURGLARY		000	597	01/10/73 NONE
ON	J	MO LARCENY U/5	MISC.	000	459	01/10/73 19:00
ERE	L	MO AUTO THEFT	AUTOS	000	860	01/18/73 21:00
NCE	J	MO BURGLARY		000	213	01/27/73 06:00
W	J	MO BURGLARY		000	536	01/25/73 02:00
N	PINE	MO LARCENY U/50	MISC.	000	516	01/11/73 11:00
R	AM	MO BURGLARY	JEWELRY	000	184	01/16/73 NONE
W	E	MO AUTO THEFT	AUTOS	000	972	01/08/73 21:00
R	S	MO BURGLARY	MISC.	000	886	01/28/73 NONE
H	J	MO BURGLARY		000	041	12/11/72 NONE
HT	T	MO ROBBERY STRNG ARM	CURRENCY	000	800	01/17/73 02:00
L	E	MO LARCENY U/50	MISC.	000	122	01/22/73 NONE
N	K	MO LARCENY U/50	CURRENCY	000	763	01/03/73 NONE
VAL CAR RENTAL	T	MO AUTO THEFT	AUTOS	000	182	01/09/73 NONE
DA	J	MO LARCENY U/50	MISC.	000	815	01/12/73 07:00
S	L	MO LARCENY U/50	MISC.	000	553	01/09/73 NONE
R	D	MO BURGLARY	MISC.	000	034	01/01/73 NONE
T	D	MO BURGLARY	MISC.	000	065	01/22/73 NONE
P	A	MO LARCENY U/5	MISC.	000	831	01/22/73 06:00
D	T	MO LARCENY U/50	CLOTHING	000	600	01/10/73 NONE
P	T	MO ASSAULT AGGR		000	409	01/27/73 16:00
D	J	MO AUTO THEFT ATT	MISC.	000	561	01/24/73 NONE
S	A	MO AUTO THEFT	AUTOS	000	081	01/30/73 11:00
S	A	MO BURGLARY	MISC.	000	478	01/10/73 NONE
J	J					
L	T					

INDEX NUMBER  
CF013-01

PROGRAMMING DOCUMENTATION



SECTION  
OFFENSE PROGRAMS

DATE ISSUED  
January 16, 1973

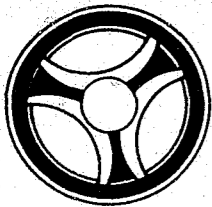
DATE REVISED

PROGRAM TITLE: CREATE YEAR-TO-DATE OFFENSE TAPE  
DATE OPERATIONAL: January 16, 1973

PURPOSE: CF013 is a program name for control cards that execute a COBOL utility program that merges the records from the current monthly offense tape (CF014F1) to the old year-to-date offense tape (CF013F1) and create a current year-to-date offense tape entitled CF013F1. The data is kept in ALERT number within Originating Agency Code sequence.

INDEX NUMBER  
CF013-01





PROGRAMMING DOCUMENTATION

SECTION

OFFENSE PROGRAMS

DATE ISSUED

January 16, 1973

DATE REVISED



PROGRAMMING DOCUMENTATION

SECTION

OFFENSE PROGRAMS

DATE ISSUED

January 16, 1973

DATE REVISED

I. PROGRAM NARRATIVE

Input to this program is general index offense type records, and the following master file type records:

1. Victim's Name Record
2. Victim's Address Record
3. Offense Statistical Record
4. Offense Stolen Property Record
5. Offense Recovered Property Record
6. Offense Actual Address Record
7. Offense Intersection Address Record

Output is a tape entitled CFØ14T1.

A single control card is used containing the low and the high dates of information to be extracted from the master file.

II. DETAILED DESCRIPTION

Input and output files are opened, the control card is accepted and edited for valid dates.

START-AGAIN performs a COBOL start on the general index file to set up the first read on the offense type general index records.

READ-GENERAL-INDX reads the general index offense records and performs various edits on each record. When an acceptable record is found a key is generated from information taken from that record and a COBOL start is performed on the master file. This paragraph also causes spaces to be moved to various detail lines and zeros to be moved to various switches.

READ-IN reads the master file and extracts only the victim's name records to be processed. If the record read is other than this type of record control is transferred to the next paragraph. Victim's name information is extracted from this record and moved to a detail line.

INDEX NUMBER  
CFØ14-Ø2

SECOND-RECORD. This paragraph extracts information from the victim's address record and moves it to a detail line. If other than the victim's address record is found control is transferred to the following paragraph.

THIRD-RECORD extracts information from the offense statistical record and moves it to a detail line. If the record read is other than an offense statistical record control is transferred to the appropriate paragraph.

STOLEN-PROPERTY extracts information from the offense stolen property type record and moves it to a detail line.

RECOVERED-PROPERTY extracts data from the offense recovered property type record and moves it to a detail line.

LOCATION-RECORD, MOVED-CRIME-CODE, EXACT-LOCATION, FINISH-LOCATION-RECORD combine to exact information from the two types of offense location records and move this information to a detail line.

CONVERT-SUFFIX converts a single digit street suffix code to an expanded version such as street, avenue, boulevard, etc, and moves this expanded street suffix to the detail line.

CONVERT-DIRECTION converts a single digit street direction code to an expanded version such as North, South, East, NorthEast, NorthWest, etc, and moves it to the detail line.

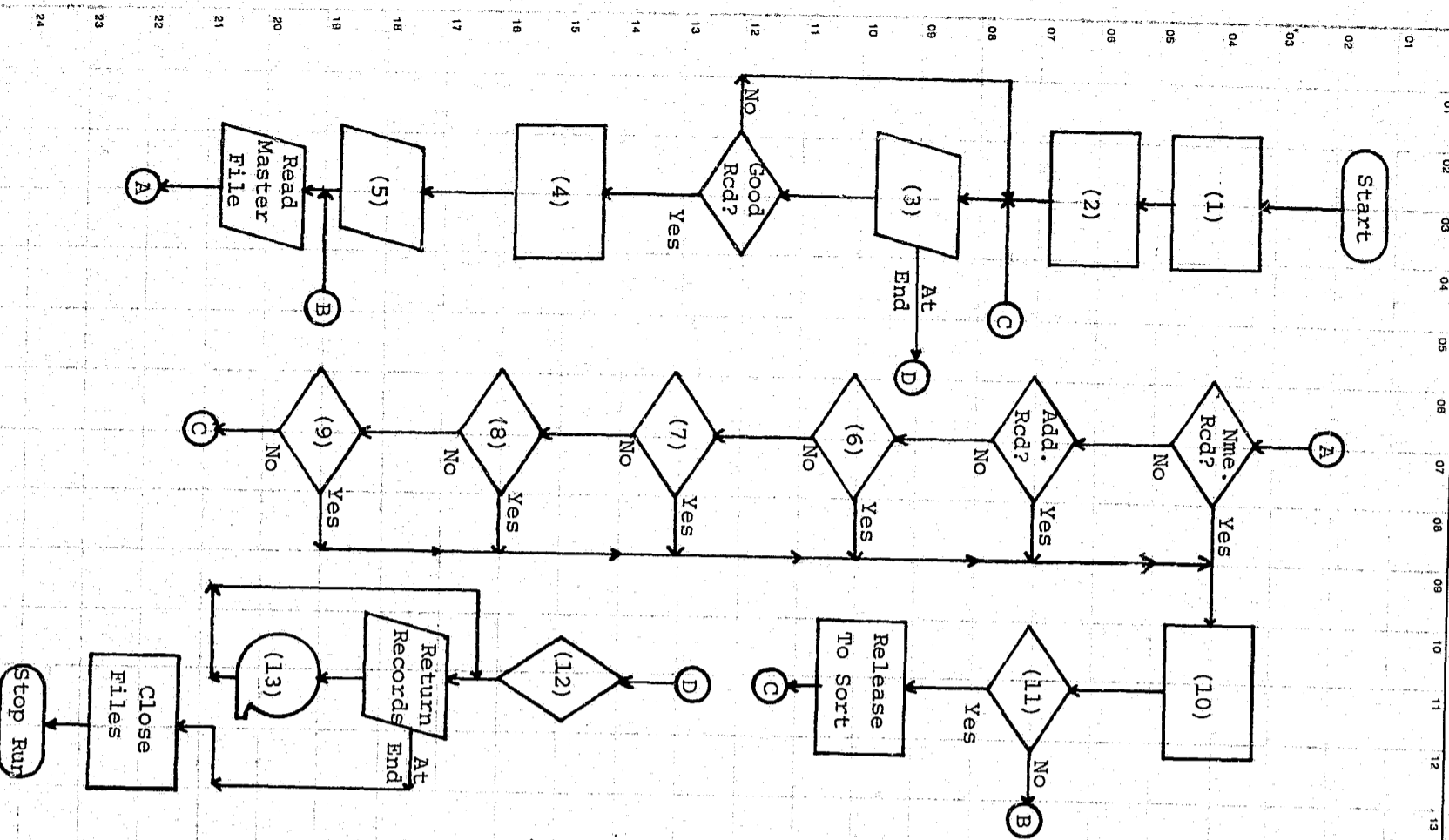
REL-REC, REL-OFFENSES, CHECK-LOCATION-FLAG release to the Sort file information from the various detail lines. Control is then transferred back to the paragraph entitled READ-GENERAL-INDEX.

After all the various input records are accumulated in the Sort file they are sorted in ascending order by record type within case report number within ALERT number within originating agency code.

WRITE-TAPE, SIMPLE-REWRITE, NEW-ORI combine to return the records from the Sort and write the output tape.

END-JOB causes the input and output files to be closed, and displays upon the printer the total general index records read, the total general index records used, and the total master file records read.

INDEX NUMBER  
CFØ14-Ø3



- (1) Accept Control Cards-Open Files, etc.
- (2) Load Key to General Index File and Perform "Start" Which Sets Pointer to First Record Pertaining to Offense
- (3) Read General Index
- (4) Create Master File Key
- (5) Perform "Start" on Master File which Sets Pointer at Beginning of Record Compliment
- (6) Offense Statistical Record?
- (7) Stolen Property Rec. ?
- (8) Recovered Property Rec. ?
- (9) Location Record ?
- (10) Move Necessary Information to Sort Area
- (11) All Necessary Records Collected Yet ?
- (12) Records Sorted by Originating Agency Code
- (13) Write Offense Tape

System No. \_\_\_\_\_ System Title: \_\_\_\_\_  
 Date Prepared: \_\_\_\_\_ Prepared By: \_\_\_\_\_  
 Date Approved: \_\_\_\_\_ Approved By: \_\_\_\_\_  
 Revision Date: \_\_\_\_\_ Revised By: \_\_\_\_\_

INDEX NUMBER  
 CF014-04

**E D P RECORD LAYOUT**

OFFENSE TAPE RECORDS CF014T1

RECORD KEY		ALERT #	ORIG AGCY	CASE REPORT #	VICTIMS NAME INFORMATION				VICTIM ADDRESS INFORMATION				REPORT DATE
RT	WH				OF	TH	EX	CE	OC	EN	SD	TH	
OFFENSE	REPORT				LAST NAME	FIRST NAME	DOB	HOUSE #	APT OR ROOM #	STREET NAME	CITY		

RECORD KEY		ALERT #	ORIG AGCY	CASE REPORT #	CRIME	ATTACKED	OCCURRED	REPORTED	CLEARANCE	OFNDR	FILLER	REPORT DATE
RT	WH											
OFFENSE	REPORT				CRIME	ATTACKED	OCCURRED	REPORTED	CLEARANCE	OFNDR		

RECORD KEY		ALERT #	ORIG AGCY	CASE REPORT #	CRIME	STOLEN PROPERTY INFORMATION						REPORT DATE
RT	WH					CURRENCY	JEWELRY	FURS	CLOTHING	AUTOS	MISC.	
OFFENSE	REPORT				CRIME	CURRENCY	JEWELRY	FURS	CLOTHING	AUTOS	MISC.	

RECORD KEY		ALERT #	ORIG AGCY	CASE REPORT #	CRIME	RECOVERED PROPERTY INFORMATION						REPORT DATE
RT	WH					CURRENCY	JEWELRY	FURS	CLOTHING	AUTOS	MISC.	
OFFENSE	REPORT				CRIME	CURRENCY	JEWELRY	FURS	CLOTHING	AUTOS	MISC.	

RECORD KEY		ALERT #	ORIG AGCY	CASE REPORT #	CRIME	LOCATION OF OFFENSE				CITY	BEAT	CENSUS	REPORT DATE
RT	WH					HOUSE #	APT/ROOM #	FILLER	STREET NAME				
OFFENSE	REPORT				CRIME	HOUSE #	APT/ROOM #	FILLER	STREET NAME	S/D	N/S		





PROGRAMMING DOCUMENTATION

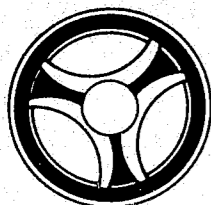
SECTION OFFENSE PROGRAMS	
DATE ISSUED January 16, 1973	DATE REVISED

PROGRAM TITLE: SUICIDES BY RACE, SEX AND MOTIVE

DATE OPERATIONAL: January 16, 1973

PURPOSE: To create a monthly listing of suicides and attempt suicides by method, race, sex and motive.

INDEX NUMBER  
CF015-01



SECTION

OFFENSE PROGRAMS

PROGRAMMING DOCUMENTATION

DATE ISSUED

January 16, 1973

DATE REVISED

SECTION

OFFENSE PROGRAMS

PROGRAMMING DOCUMENTATION

DATE ISSUED

January 16, 1973

DATE REVISED

### I. PROGRAM NARRATIVE

The input to this program is the monthly offense tape (CFØ14T1) and the output is a listing. The input tape is read and counts are moved to subscripted tables depending on the method of suicide or attempt, the race and sex of the offender and the motive. After all of the input tape is read and the suicide counts tabulated in the tables, the information is formatted and printed on a single page. There are two tables; one for actual suicides and the other for attempts.

### II. DETAILED DESCRIPTION

The input tape and the output printer are opened, zeros are moved to all subscripted tables, a date card is accepted, a control card containing the agency for which the program is being run is accepted, and the header is formatted and moved to the print area.

READ-IN reads the input tape and compares the agency contained in the tape with the agency listed on the control card. If they are not equal control returns to the beginning of this paragraph. The record type is checked to determine if the record just read is a name record and if not control falls through to the next paragraph. If it is a name record the race and sex information is extracted and loaded into a save area. Control is returned to the beginning of the paragraph.

SECOND-RECORD checks a code in the statistical record to ascertain if the offense is unfounded and if so control is returned to the read paragraph. Otherwise control falls through to the following paragraph.

SET-SUBSCRIPTS. This paragraph sets the vertical subscriptor in one of the tables based upon the method of suicide such as cutting, drowning, hanging, etc.

SET-TOT-ALIGN sets the horizontal subscriptor based upon the race and sex combination such as white male, negro male, white female, negro female, etc.

SET-MOTIVE sets a third subscriptor based upon the reason for the suicide such as mental disorder, financial trouble, ill health, etc. Control is returned to the read paragraph.

ADD-OR-SUB-IT, SUB-IT combine to do the actual addition or subtraction from the table based upon the previously aligned subscriptors. These two paragraphs are performed by other paragraphs.

INDEX NUMBER  
CFØ15-Ø2

The previously described paragraphs are repeated until the entire input tape has been read and the subscripted tables built. When the last record is indicated in the read paragraph control is transferred to the following paragraph.

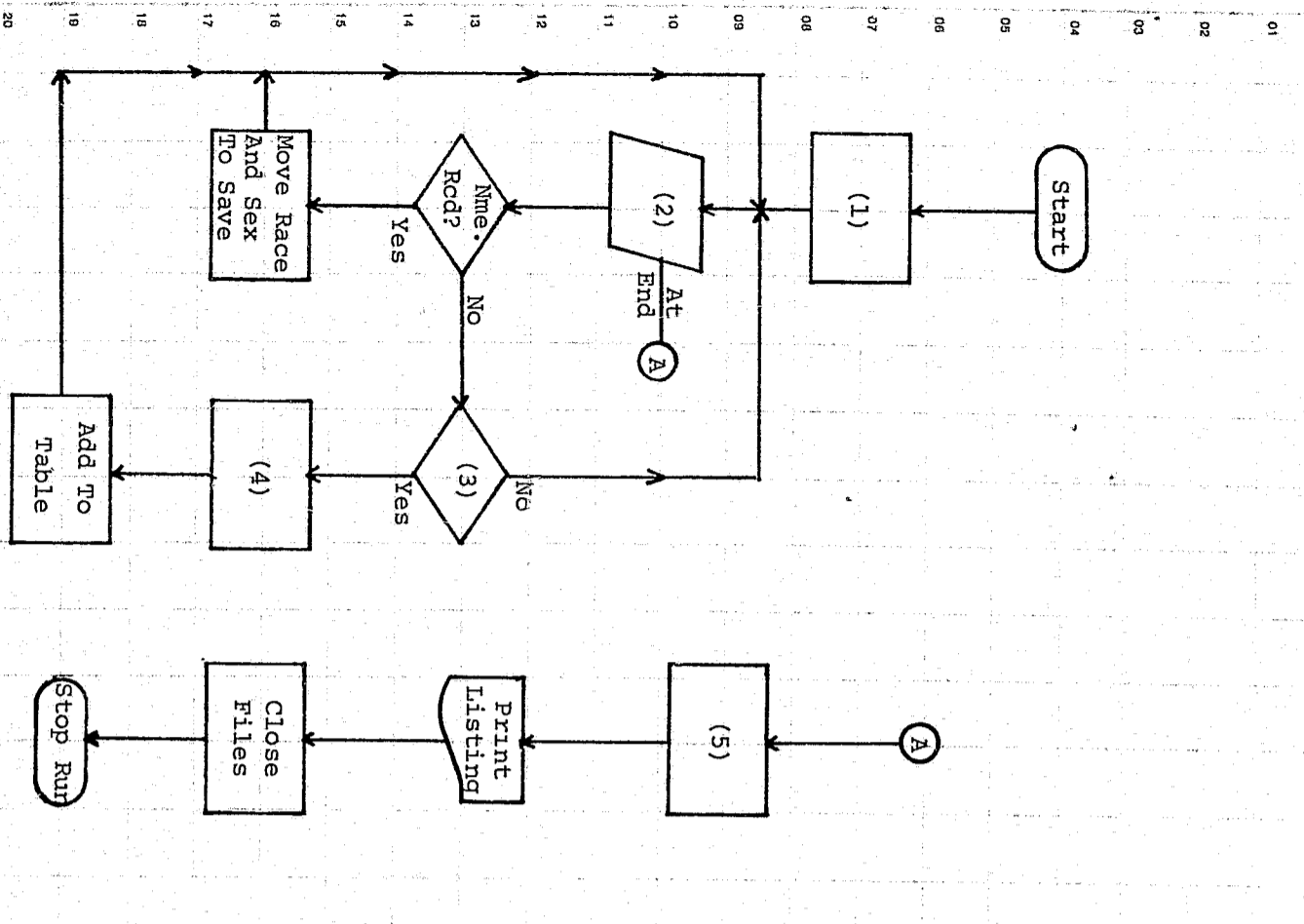
OUTPUT-ROUTINE sets the vertical subscriptor to the initial point for printing.

HEADER-ROUTINE, SECOND-HEADING-ROUTINE are performed paragraphs that simply print the various headers on the page.

PRINT-OUT, REPEAT-IT, PRINT-IT combine to extract the counts from the already created tables and print them on the listing.

END-JOB closes the input and output tapes.

INDEX NUMBER  
CFØ15-Ø3



- (1) Open Files, Clear All Tables, Set Switches, etc
- (2) Read Offense Tape
- (3) Statistical Record?
- (4) Set Table Subscribers According to Race, Sex, Method and Motive
- (5) Set Subscribers to Line 1 of Table

System No. \_\_\_\_\_ System Title: \_\_\_\_\_

Date Prepared: \_\_\_\_\_ Prepared By: \_\_\_\_\_

Date Approved: \_\_\_\_\_ Approved By: \_\_\_\_\_

Revision Date: \_\_\_\_\_ Revised By: \_\_\_\_\_

INDEX NUMBER  
CF015-04

NEW  REVISION - SHOW WHY IN COMMENTS

TITLE OF REPORT OR LISTING MONTHLY SUICIDE REPORT - CF015L1	
PURPOSE OR FUNCTION IT SERVES THIS REPORT PROVIDES THE POLICE ADMINISTRATOR WITH INFORMATION CONCERNING THE RACE, SEX, REASON GIVEN, AND METHOD OF SUICIDES AND ATTEMPTED SUICIDES.	
ORIGINATES FROM (SHOW COMPUTER RUN AND/OR MAIN FILE FROM WHICH DATA IS DEVELOPED AND SPAN OF TIME COVERED OR AGE OF DATA) THIS INFORMATION IS EXTRACTED FROM THE MONTHLY OFFENSE TAPE - CF014T1.	
NO. COPIES	FREQUENCY ISSUED <input type="checkbox"/> DAILY <input type="checkbox"/> WEEKLY <input checked="" type="checkbox"/> MONTHLY <input type="checkbox"/>
DESIGN FORMAT APPROVED BY	DATE
RELEASE PERIOD	

DETAILED EXPLANATION OF DATA (WHEN PRINTED CAPTIONS ARE NOT SELF EXPLANATORY)

CF015L1 DISPLAYS TWO TWO-DIMENSIONAL ARRAYS, ONE FOR SUICIDE, THE OTHER FOR ATTEMPTED SUICIDES.

HORIZONTAL HEADINGS OF BOTH ARRAYS ARE AS FOLLOWS:

- A. WHITE MALE
- B. NEGRO MALE
- C. OTHER MALE
- D. WHITE FEMALE
- E. NEGRO FEMALE
- F. OTHER FEMALE
- G. NOT STATED
- H. MONTH TOTAL
- I. MARITAL TROUBLE
- J. FINANCIAL TROUBLE
- K. MENTAL DISORDER
- L. THWARTED LOVE
- M. ILL HEALTH
- N. OTHER CAUSES

VERTICALLY ARE SHOWN SUICIDE METHODS AS FOLLOWS:

- A. CUTTING
- B. DROWNING
- C. ASPHYXIATION
- D. HANGING
- E. JUMPING
- F. POISONING
- G. SHOOTING
- H. SLEEPING PILLS
- I. OTHER
- J. TOTAL FOR ABOVE

CONTINUE ON REVERSE SIDE

COPY DISTRIBUTION

SENT TO	RETENTION	DISPOSITION
1 ORIGINATING AGENCY (3)		
2 FILE (1)		
3		
4		
5		
6		

COMMENTS

INDEX NUMBER  
CF015-05

METHOD		WHITE MALE	NEGRO MALE	OTHER MALE	WHITE FEMALE	NEGRO FEMALE	OTHER FEMALE	NOT STATED	MONTH TOTAL	MRTL. TRBL.	FIN. TRBL.	MENTAL DISODR	THWART LOVE	ILL HEALTH	OTHER CAUSES
CUTTING	3060	0	0	0	0	0	0	0	0	0	0	0	0	0	0
DROWNING	3061	0	0	0	0	0	0	0	0	0	0	0	0	0	0
ASPHXIATION	3062	0	0	0	0	0	0	0	0	0	0	0	0	0	0
HANGING	3063	0	0	0	0	0	0	0	0	0	0	0	0	0	0
JUMPING	3064	0	0	0	1	0	0	0	1	0	0	0	0	0	1
POISONING	3065	0	0	0	0	0	0	0	0	0	0	0	0	0	0
SHOOTING	3066	1	0	0	0	0	0	0	1	0	0	0	0	0	1
SLEEPING PILLS	3067	0	0	0	0	0	0	0	0	0	0	0	0	0	0
OTHER	3069	0	0	0	0	0	0	0	0	0	0	0	0	0	0
TOTAL FOR ABOVE		1	0	0	1	0	0	0	2	0	0	0	0	0	2

ATTEMPTED SUICIDES

METHOD		WHITE MALE	NEGRO MALE	OTHER MALE	WHITE FEMALE	NEGRO FEMALE	OTHER FEMALE	NOT STATED	MONTH TOTAL	MRTL. TRBL.	FIN. TRBL.	MENTAL DISODR	THWART LOVE	ILL HEALTH	OTHER CAUSES
CUTTING	3070	2	0	0	2	2	0	0	6	1	0	2	0	0	3
DROWNING	3071	0	0	0	0	0	0	0	0	0	0	0	0	0	0
ASPHXIATION	3072	0	0	0	1	1	0	0	2	0	0	0	0	0	2
HANGING	3073	0	0	0	0	0	0	0	0	0	0	0	0	0	0
JUMPING	3074	0	0	0	1	0	0	0	1	0	0	0	0	0	1
POISONING	3075	0	0	0	0	0	0	0	0	0	0	0	0	0	0
SHOOTING	3076	2	0	0	0	1	0	0	3	1	0	0	0	0	2
SLEEPING PILLS	3077	3	2	0	15	11	0	0	31	3	1	2	1	1	23
OTHER	3079	1	0	0	0	0	0	0	1	0	0	0	0	0	1
TOTAL FOR ABOVE		8	2	0	19	15	0	0	44	5	1	4	1	1	32

INDEX NUMBER  
CF015-16



PROGRAMMING DOCUMENTATION



SECTION

OFFENSE PROGRAMS

DATE ISSUED

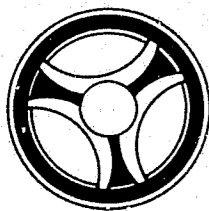
January 16, 1973

DATE REVISED

PROGRAM TITLE: PART I OFFENSE BY BEAT  
DATE OPERATIONAL: January 16, 1973

PURPOSE: This program produces a listing of Part I offenses broken down by beat within the three major patrol divisions of the Kansas City, Missouri Police Department. This program is duplicated as CF032 when run on a weekly basis rather than the monthly run as CF016.

INDEX NUMBER  
CF016-01



PROGRAMMING DOCUMENTATION

SECTION

OFFENSE PROGRAMS

DATE ISSUED

January 16, 1973

DATE REVISED



PROGRAMMING DOCUMENTATION

SECTION

OFFENSE PROGRAMS

DATE ISSUED

January 16, 1973

DATE REVISED

I. PROGRAM NARRATIVE

CFØ16 and CFØ32 are identical programs except that CFØ32 is executed weekly while CFØ16 is executed monthly. These programs produce a listing of Part I offenses broken down by beat within the three major patrol divisions of the Kansas City, Missouri Police Department. The report that is produced by this program is broken into five major segments. The first segment is a listing of the offenses that occurred in the NORTHEAST Patrol Division of the Kansas City, Missouri Police Department. The second segment is the same listing for the SOUTH Patrol Division, and the third is for the CENTRAL Patrol Division. The fourth segment is a listing of crimes where the location of occurrence is unknown. The fifth segment of the program is a total of the previous four. The input for CFØ16 is a tape created by CFØ14. The input for CFØ32 is a tape created by CFØ31. Output to both programs is a listing.

II. DETAILED DESCRIPTION

A control card is accepted and a determination made as to whether this is to be a weekly or a monthly run.

JOB-CFØ16. This paragraph is used only if the program is being executed monthly. A monthly date is accepted from the control card and moved to save area.

JOB-CFØ32. This paragraph is only used if the execution is weekly. A weekly date is accepted from the control card and moved to a work area.

PROCESS-JOB opens the input offense tape, the output printer, moves zeros to work areas and spaces to the detail line. This paragraph also sets up an internal sort that will be sorted ascending by address within offense within beat within patrol division.

BUILD-SORT reads the offense tape into a work area and checks for the Kansas City, Missouri Police Department originating agency code. If other than that code, another tape record is read. The ALERT number in each record read is compared with the ALERT number in the previous record to see if it is the same and if so control is transferred to the paragraph entitled CK-RCD-TP. If the ALERT number in the present record is different than the ALERT number in the previous record control falls through to the following paragraph.

CK-REL. This paragraph determines whether the previous offense record has been released to the Sort and if so resets various switches and falls through to the next paragraph. If the previous record has not been

released to the Sort the paragraph causes it to be released, sets various switches and falls through to the following paragraph.

CK-RCD-TP directs control to other paragraphs within this program based on the value found in the record type field.

CLR-RCD checks the clearance status of the offense record.

MOVE-STAT checks for a valid offense code and if none are found control is returned to the READ paragraph.

BUILD-STAT moves various data fields into the Sort record.

EXACT-LCTN moves valid exact location information into the Sort area.

INTR-LCTN moves valid intersection location information into the Sort area.

NAME-MOVES moves valid name information into the Sort area.

SET-REL distinguishes between valid offense data and clearance data and releases to the Sort accordingly.

BEAT-CK, MOVE-BTOC, CK-RPTBT, MOVE-BTRPT. These four paragraphs combine to build a Sort key based on Kansas City, Missouri Police Department reporting beat information. At this point this Sort is executed.

PRINT-LIST returns the sorted records into a work area. Control is transferred to the paragraph entitled SET-HEADER.

SET-HEADER, HEADER, C-HEADER. These three paragraphs combine to format and print the header on the listing.

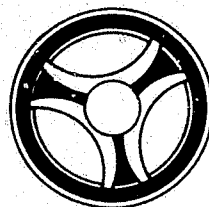
RCD-CK, CK-ADDR-TP, TP-5-ADDR. These three paragraphs combine, format the information and move it to the print line.

WRITE-LINE, CHECK-WM, CHECK-HOW. The first of these three paragraphs writes the first print line from the work area. The three paragraphs then combine to build a second print line by the use of a subscript counter.

WRITE-DLINE2 writes the second print line.

PRT-BEAT-CT, ZERO-BEATS, SV-WT-COUNTS, ADD-W1, ADD-W2, ADD-W3. These six paragraphs combine to total up subscripted tables to be printed by the following three paragraphs.

INDEX NUMBER  
CFØ16-Ø2INDEX NUMBER  
CFØ16-Ø3



PROGRAMMING DOCUMENTATION

SECTION  
OFFENSE PROGRAMS

DATE ISSUED  
January 16, 1973

DATE REVISED

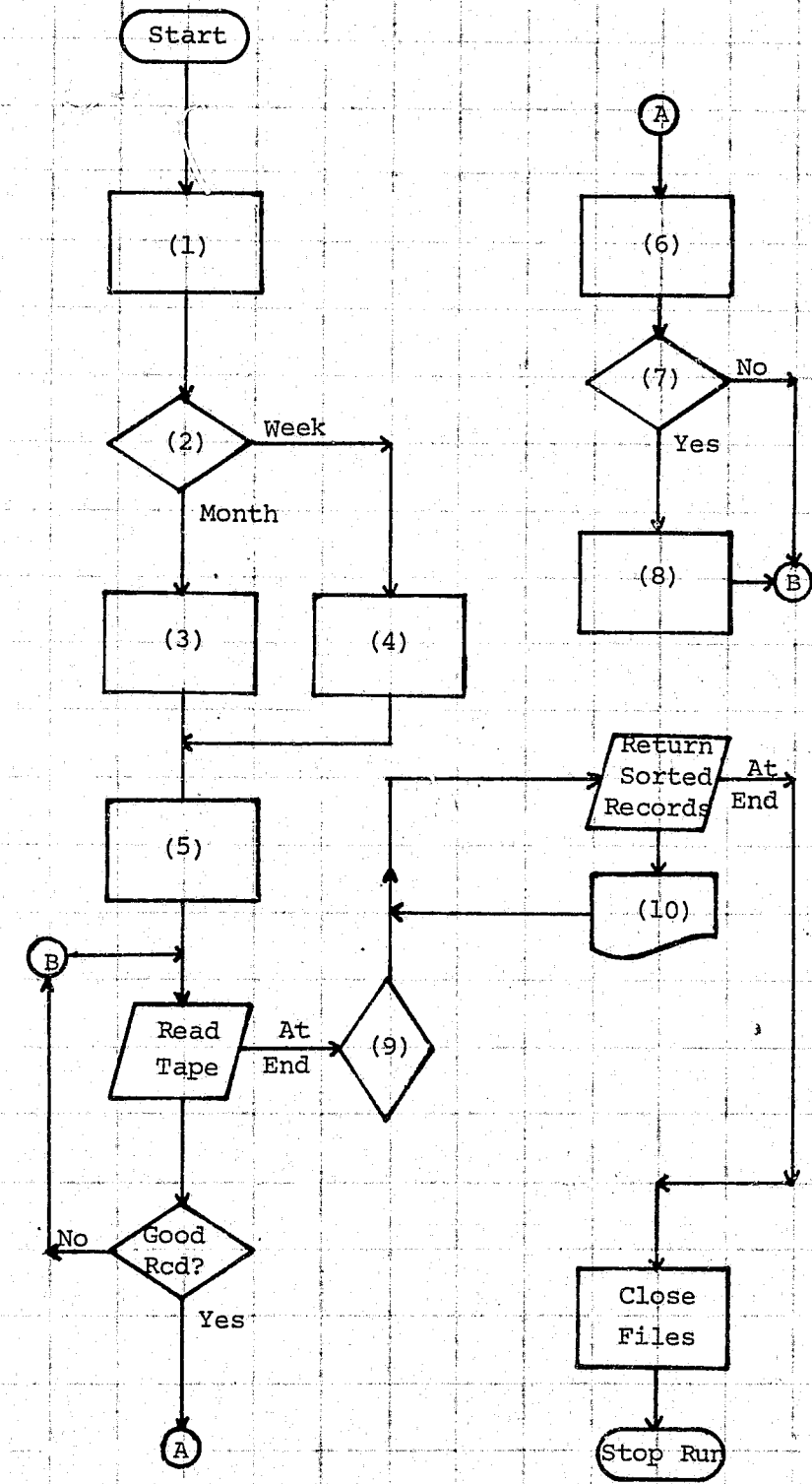
SYSTEM FLOW CHART

PRINT-TOTALS-PAGE, TOT-LOOP, PRT-WATCH-CTS. These three paragraphs combine to print offense counts accumulated in subscripted tables.

EOJ-OUTPUT exits to the end of job routine.

FLWCART 01 02 03 04 05 06 07 08 09 10 11 12 13

DESCRIPTION



- (1) Accept Control Card
- (2) Control Card Indicates Whether the Weekly (CF032) Or Monthly (CF016) Run Is to Be Executed
- (3) Accept Control Card With Monthly Date and Move To Necessary Control Area
- (4) Same As 3 Except Weekly
- (5) Open Files, Set Switches, Clear Areas, etc.
- (6) Accumulate All Necessary Records Within A Single Alert Number
- (7) Last Record Within Alert Number?
- (8) Format Accumulated Information And Release To Sort
- (9) Sort Records by Address Within Offense, Within Beat, Within Patrol Division
- (10) Print Records With Sheet Eject For Each New Patrol Beat and Division.

System No.	System Title:	Revision Date:	Revised By:
Date Prepared:	Prepared By:		
Date Approved:	Approved By:		

INDEX NUMBER  
CF016-04

INDEX NUMBER  
CF016-05

DESCRIPTION OF COMPUTER REPORT OR LISTING

NEW  REVISION—SHOW WHY IN 'COMMENTS'

DATE	ID NO.
------	--------

TITLE OF REPORT OR LISTING MONTHLY PATROL DIVISIONS SUMMARY - CF016L1 THROUGH CF016L4	
PURPOSE OR FUNCTION IT SERVES THIS REPORT PROVIDES PATROL DIVISION COMMANDERS WITH INFORMATION CONCERNING PART I CRIMES OCCURRING BY BEAT WITHIN THEIR PATROL DIVISIONS FOR THE REPORTING MONTH.	
ORIGINATES FROM (SHOW COMPUTER RUN AND/OR MAIN FILE FROM WHICH DATA IS DEVELOPED AND SPAN OF TIME COVERED OR AGE OF DATA) THIS INFORMATION IS EXTRACTED FROM THE MONTHLY OFFENSE TAPE - CF014T1.	
NO. COPIES	FREQUENCY ISSUED <input type="checkbox"/> DAILY <input type="checkbox"/> WEEKLY <input checked="" type="checkbox"/> MONTHLY <input type="checkbox"/>
DESIGN FORMAT APPROVED BY	DATE RELEASE PERIOD

DETAILED EXPLANATION OF DATA (WHEN PRINTED CAPTIONS ARE NOT SELF EXPLANATORY)

CF016L1 THROUGH CF016L4 REPRESENT LISTINGS PROVIDED TO EACH OF THE FOUR PATROL DIVISIONS WITHIN THE KANSAS CITY, MISSOURI POLICE DEPARTMENT. PART I OFFENSES ARE SHOWN IN THE LISTING SORTED BY PATROL BEAT WITHIN PATROL DIVISION AND BY TYPE OFFENSE WITHIN PATROL BEAT. INFORMATION ON EACH PART I OFFENSE IS COMPRISED OF TWO DATA LINES: THE FIRST LINE FOLLOWS THE HEADINGS ACROSS THE TOP OF THE PAGE WHICH ARE SELF-EXPLANATORY; THE SECOND DATA LINE PER OFFENSE USES HORIZONTAL HEADINGS OF:

1. HOW ATTACKED
2. WEAPON/MEANS
3. PROPERTY ATTACKED

EACH LISTING IS BROKEN BY BEAT AND AT THAT BREAK POINT LISTS TOTALS FOR THE PART I CRIMES SHOWN BELOW:

1. RESIDENCE BURGLARY
2. NON-RESIDENCE BURGLARY
3. ARMED ROBBERY
4. STRONG-ARMED ROBBERY
5. AUTO THEFT
6. LARCENY - PURSE SNATCH

CONTINUE ON REVERSE SIDE

COPY DISTRIBUTION

SENT TO	RETENTION	DISPOSITION
1		
2 ORIGINATING AGENCY (3)		
3 FILE (1)		
4		
5		
6		

COMMENTS

INDEX NO.  
CF016-4

SOUTH PATROL DIVISION BEAT 213  
MAY, 1972

OFFENSE	WATCH	NAME	ADDRESS OF OCCURRENCE	DATE OCCURRED	TIME OCC.	STATUS	CRN
STRONG-ARMED ROBBERY	3	J [REDACTED] D [REDACTED]	[REDACTED]	05/08/72	18:00	OPEN	[REDACTED]
		HOW ATTACKED PHYSICAL FORCE	WEAPON/MEANS OTHER FORCE	PROP ATTACK HWY/STREET/ALLEY			
	2	H [REDACTED] W [REDACTED]	[REDACTED]	05/02/72	12:00	OPEN	[REDACTED]
		HOW ATTACKED PHYSICAL FORCE	WEAPON/MEANS PHYSICAL	PROP ATTACK HWY/STREET/ALLEY			
ARMED ROBBERY	1	D [REDACTED] T [REDACTED]	[REDACTED]	05/10/72	24:00	OPEN	[REDACTED]
		HOW ATTACKED PUTTING IN FEAR-THREAT	WEAPON/MEANS FIREARM	PROP ATTACK RESIDENCE HOUSE			
	3	H [REDACTED] D [REDACTED]	[REDACTED]	05/20/72	23:00	OPEN	[REDACTED]
		HOW ATTACKED PUTTING IN FEAR-THREAT	WEAPON/MEANS FIREARM	PROP ATTACK HWY/STREET/ALLEY			
RESIDENCE BURGLARY	2	R [REDACTED] E [REDACTED]	[REDACTED]	05/01/72	N/S	OPEN	[REDACTED]
		HOW ATTACKED	WEAPON/MEANS	PROP ATTACK APARTMENT HOUSE			
	2	H [REDACTED] R [REDACTED]	[REDACTED]	04/09/72	N/S	OPEN	[REDACTED]
		HOW ATTACKED DOOR FIRST FLOOR FRONT	WEAPON/MEANS OTHER FORCE	PROP ATTACK APARTMENT HOUSE			
	3	S [REDACTED] K [REDACTED]	[REDACTED]	05/25/72	N/S	OPEN	[REDACTED]
		HOW ATTACKED DOOR FIRST FLOOR REAR	WEAPON/MEANS OTHER FORCE	PROP ATTACK APARTMENT HOUSE			
	3	H [REDACTED] H [REDACTED]	[REDACTED]	04/17/72	N/S	OPEN	[REDACTED]
		HOW ATTACKED WINDOW F/F SIDE	WEAPON/MEANS N/F NEEDED	PROP ATTACK RESIDENCE HOUSE			
	2	P [REDACTED] I [REDACTED]	[REDACTED]	05/11/72	N/S	OPEN	[REDACTED]
		HOW ATTACKED WINDOW S/F SIDE	WEAPON/MEANS N/F NEEDED	PROP ATTACK APARTMENT HOUSE			
	2	C [REDACTED] R [REDACTED]	[REDACTED]	05/24/72	10:00	OPEN	[REDACTED]
		HOW ATTACKED DOOR FIRST FLOOR REAR	WEAPON/MEANS BREAKING	PROP ATTACK RESIDENCE HOUSE			
	3	L [REDACTED] [REDACTED]	[REDACTED]	05/02/72	N/S	OPEN	[REDACTED]
		HOW ATTACKED DOOR FIRST FLOOR REAR	WEAPON/MEANS JIMMY/PRYING	PROP ATTACK APARTMENT HOUSE			
	1	C [REDACTED] G [REDACTED]	[REDACTED]	05/18/72	N/S	OPEN	[REDACTED]
		HOW ATTACKED DOOR FIRST FLOOR FRONT	WEAPON/MEANS N/F NEEDED	PROP ATTACK APARTMENT HOUSE			
	3	R [REDACTED] G [REDACTED]	[REDACTED]	05/16/72	N/S	OPEN	[REDACTED]
		HOW ATTACKED WINDOW F/F REAR	WEAPON/MEANS BREAKING	PROP ATTACK RESIDENCE HOUSE			
	1	J [REDACTED] K [REDACTED]	[REDACTED]	04/26/72	04:00	OPEN	[REDACTED]
		HOW ATTACKED	WEAPON/MEANS	PROP ATTACK RESIDENCE HOUSE			
	1	G [REDACTED] T [REDACTED]	[REDACTED]	05/02/72	N/S	OPEN	[REDACTED]
		HOW ATTACKED DOORS LOCKED	WEAPON/MEANS	PROP ATTACK GROCERY INDEP.			
	2	S [REDACTED] D [REDACTED]	[REDACTED]	05/22/72	N/S	OPEN	[REDACTED]
		HOW ATTACKED WINDOW E/F SIDE	WEAPON/MEANS	PROP ATTACK RESIDENCE HOUSE			
	2	K [REDACTED] C [REDACTED]	[REDACTED]	05/27/72	N/S	OPEN	[REDACTED]
		HOW ATTACKED WINDOW F/F SIDE	WEAPON/MEANS JIMMY/PRYING	PROP ATTACK RESIDENCE HOUSE			
	3	S [REDACTED] W [REDACTED]	[REDACTED]	05/05/72	N/S	OPEN	[REDACTED]
		HOW ATTACKED DOOR FIRST FLOOR FRONT	WEAPON/MEANS JIMMY/PRYING	PROP ATTACK APARTMENT HOUSE			
	2	W [REDACTED] J [REDACTED]	[REDACTED]	05/05/72	12:00	OPEN	[REDACTED]
		HOW ATTACKED WINDOW F/F REAR	WEAPON/MEANS OTHER FORCE	PROP ATTACK RESIDENCE HOUSE			
	1	G [REDACTED] R [REDACTED]	[REDACTED]	05/31/72	N/S	OPEN	[REDACTED]
		HOW ATTACKED DOOR FIRST FLOOR FRONT	WEAPON/MEANS N/F NEEDED	PROP ATTACK APARTMENT HOUSE			
	2	F [REDACTED] J [REDACTED]	[REDACTED]	05/18/72	N/S	OPEN	[REDACTED]
		HOW ATTACKED DOOR FIRST FLOOR SIDE	WEAPON/MEANS JIMMY/PRYING	PROP ATTACK RESIDENCE HOUSE			
	3	A [REDACTED] J [REDACTED]	[REDACTED]	03/27/72	N/S	OPEN	[REDACTED]
		HOW ATTACKED WINDOW BASEMENT FRONT	WEAPON/MEANS OTHER FORCE	PROP ATTACK RESIDENCE HOUSE			
	2	H [REDACTED] R [REDACTED]	[REDACTED]	05/31/72	N/S	OPEN	[REDACTED]
		HOW ATTACKED WINDOW F/F REAR	WEAPON/MEANS OTHER FORCE	PROP ATTACK RESIDENCE HOUSE			
	2	R [REDACTED] A [REDACTED]	[REDACTED]	05/07/72	N/S	OPEN	[REDACTED]
		HOW ATTACKED DOOR FIRST FLOOR REAR	WEAPON/MEANS OTHER FORCE	PROP ATTACK APARTMENT HOUSE			
NON-RESIDENCE BURGLARY	3	R [REDACTED] [REDACTED]	[REDACTED]	05/22/72	N/S	OPEN	[REDACTED]
		HOW ATTACKED DOOR FIRST FLOOR REAR	WEAPON/MEANS JIMMY/PRYING	PROP ATTACK SPORTS STADIUM			
	1	W [REDACTED] [REDACTED]	[REDACTED]	05/20/72	N/S	OPEN	[REDACTED]
		HOW ATTACKED DOOR FIRST FLOOR FRONT	WEAPON/MEANS KEY IN	PROP ATTACK OIL/GAS STAT GARAGE			

INDEX NUMBER  
CF016-07



PROGRAMMING DOCUMENTATION

SECTION	
OFFENSE PROGRAMS	
DATE ISSUED	DATE REVISED
January 16, 1973	

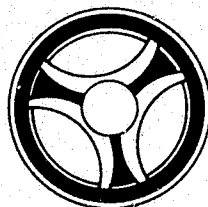
PROGRAM TITLE: CIVIL INDEX LISTING

DATE OPERATIONAL: January 16, 1973

PURPOSE: This program reads a Civil Index tape created by CF011 and produces a listing of selected offenses.

INDEX NUMBER  
CF018-01





PROGRAMMING DOCUMENTATION

SECTION  
OFFENSE PROGRAMS

DATE ISSUED  
January 16, 1973

DATE REVISED

SYSTEM FLOW CHART

I. PROGRAM NARRATIVE

CF018 reads Civil Index tape created by CF011 and extracts information pertaining only to burglaries, robberies, rapes and aggravated assaults. The information extracted and listed is as follows:

1. Name
2. Address
3. Offense code
4. Case Report Number
5. Date occurred

The information just listed is extracted from the tape and loaded into a Sort. It is sorted in name sequence and appears that way on the listing. The last page contains counts including total input records read, burglary records read, robbery records read, rape records read and aggravated assault records read.

II. DETAILED DESCRIPTION

Input and output files are opened.

WRITE-HDGS initiates the page listing number and writes the headings.

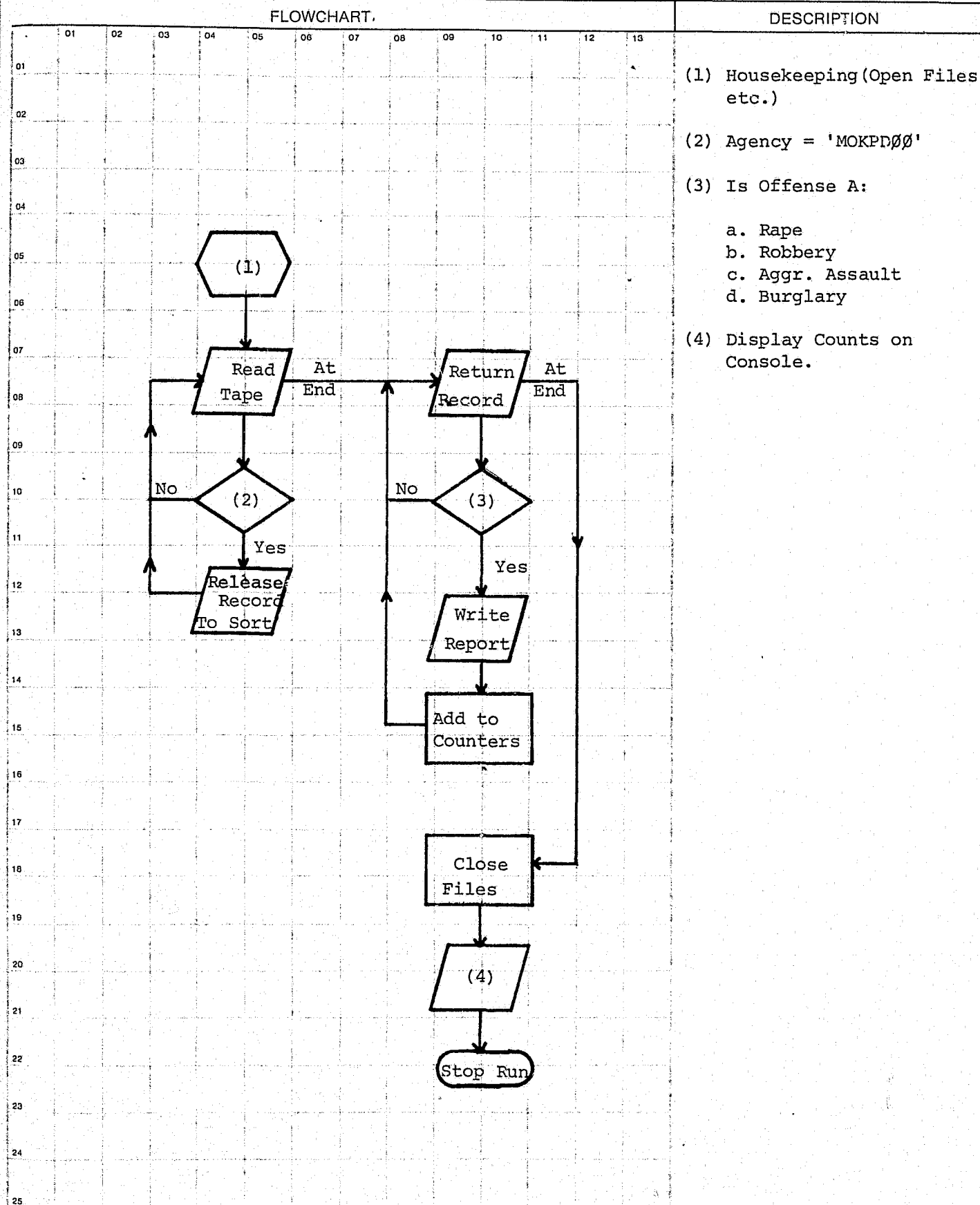
VLD-SRT opens the input tape.

READ-TP reads the tape and extracts all offense data pertinent to the Kansas City, Missouri Police Department by checking the originating agency field for "MOKPD00". The extracted records are released to the Sort file.

RTN-SORT returns the records which have been sorted by victim's name and extracts only those pertaining to burglaries, robberies, rapes and aggravated assaults. The appropriate counters are also incremented in this paragraph.

MV-DATA moves the formatted record from the Sort area to the detail line and prints it on the listing.

END-JOB closes the files and lists the counters.



INDEX NUMBER  
CF018-02

System No.	System Title:		
Date Prepared:	Prepared By:	Revision Date:	Revised By:
Date Approved:	Approved By:		

INDEX NUMBER  
CF018-03

**EDP RECORD LAYOUT**

MONTHLY CIVIL INDEX TAPE - CF011T1

BLOCK CONTAINS 20 RECORDS, RECORD CONTAINS 95

ORI	NAME			LOCATION				STATE	OFFENSE CODE	CASE REPORT NUMBER	DATE MM/DD/YY
	LAST NAME	FIRST NAME	FILLER MI JR/SR	STREET NO. OR E/W STREET	FILLER	STREET NAME	ST SUFFIX				

--	--	--	--	--	--	--	--	--	--	--	--

--	--	--	--	--	--	--	--	--	--	--	--

--	--	--	--	--	--	--	--	--	--	--	--

--	--	--	--	--	--	--	--	--	--	--	--

INDEX NUMBER  
CF018-05

NEW  REVISION - SHOW WHY IN COMMENTS

TITLE OF REPORT OR LISTING  
CIVIL INDEX LISTING - CF018L1

PURPOSE OR FUNCTION IT SERVES  
THIS REPORT PROVIDES INFORMATION ALPHABETICALLY BY VICTIM'S NAME FOR FOUR PART I CRIMES - ROBBERY, BURGLARY, RAPE, HOMICIDE.

ORIGINATES FROM (SHOW COMPUTER RUN AND/OR MAIN FILE FROM WHICH DATA IS DEVELOPED AND SPAN OF TIME COVERED OR AGE OF DATA)  
THIS INFORMATION IS EXTRACTED FROM THE MONTHLY CIVIL INDEX TAPE CREATED BY CF011.

NO. COPIES:      FREQUENCY ISSUED  
 DAILY       WEEKLY       MONTHLY     

DESIGN FORMAT APPROVED BY:      DATE:      RELEASE PERIOD:

DETAILED EXPLANATION OF DATA (WHEN PRINTED CAPTIONS ARE NOT SELF EXPLANATORY)

THE INFORMATION CONTAINED IN CF018L1 IS EXACTLY THE SAME, AND IN THE SAME FORMAT, AS THE INFORMATION IN CF011L1 WITH THE EXCEPTION THAT THIS LISTING RESTRICTS ITSELF TO THE OFFENSES OF BURGLARY, ROBBERY, RAPE AND HOMICIDE.

CONTINUE ON REVERSE SIDE

COPY DISTRIBUTION

SENT TO	RETENTION	DISPOSITION
1		
2 ORIGINATING AGENCY (3)		
3 FILE (1)		
4		
5		
6		

COMMENTS

INDEX NUMBER  
CF018-05

NAME OF PERSON OR BUSINESS	APT. NO.	LOCATION OF OFFENSE	TYPE OF OFFENSE	CASE REPORT NUMBER	DATE OF OFFENSE
[REDACTED]	J 7	CORANGE	BURGLARY	0001 38	12/22/72
A CLOTHING	1	G	BURGLARY	0001 39	12/16/72
A LIFE INSURANCE	4	P	BURGLARY	0001 17	12/05/72
A IC RICHFIELD	1	V RUNT	ARMED ROBBERY	0001 32	12/13/72
A [REDACTED]	M 2	4	RAPE	0001 58	12/31/72
A [REDACTED]	M 1	6	ARMED ROBBERY	0001 27	12/07/72
B CANDY STORE	2	V	BURGLARY	0001 42	12/19/72
B VARIETY STORE	2	V	BURGLARY	0001 09	12/05/72
B VARIETY STORE	2	V	BURGLARY	0001 37	12/12/72
B HOMES	1	6	BURGLARY	0001 57	12/27/72
B HOMES	1	6	BURGLARY	0001 17	12/26/72
B HOMES	1	6	BURGLARY	0001 18	12/26/72
B T	4	T	ARMED ROBBERY	0001 45	12/08/72
B [REDACTED]	H 6	W	BURGLARY	0001 31	12/08/72
B [REDACTED]	J 6	4	BURGLARY	0001 22	12/17/72
R [REDACTED]	L 2	7	BURGLARY	0001 35	12/08/72
R [REDACTED]	D 2	3	AGGR ASSAULT	0001 52	12/10/72
R [REDACTED]	E 6	W ESTER	BURGLARY	0001 57	12/15/72
B [REDACTED]	M 1	1	BURGLARY	0001 35	12/13/72
B [REDACTED]	J 2	L	BURGLARY	0001 00	12/26/72
B SAITIS	J S 4	N	ATTPT BURGLARY	0001 66	12/20/72
R [REDACTED]	R 4	7	BURGLARY	0001 51	12/19/72
B [REDACTED]	R 4	7	BURGLARY	0001 51	12/19/72
B [REDACTED]	R 5	P	BURGLARY	0001 53	12/29/72
B [REDACTED]	R 1	2	AGGR ASSAULT	0001 08	12/14/72
B [REDACTED]	R 1	4	AGGR ASSAULT	0001 10	12/31/72
B [REDACTED]	J 1	4	AGGR ASSAULT	0001 10	12/31/72
B [REDACTED]	J 1	M	BURGLARY	0001 17	12/30/72
B [REDACTED]	E 4	G EL	BURGLARY	0001 03	12/06/72
B [REDACTED]	E 5	W	BURGLARY	0001 73	12/06/72
B [REDACTED]	L 3	P	RAPE	0001 41	12/20/72
B [REDACTED]	L 3	B FONTA	BURGLARY	0001 85	12/27/72
B [REDACTED]	E 4	M	ARMED ROBBERY	0001 29	12/19/72
B [REDACTED]	E 3	A	BURGLARY	0001 66	12/18/72
B [REDACTED]	M 4	C	BURGLARY	0001 50	12/26/72
B [REDACTED]	L 1	G	BURGLARY	0001 27	12/06/72
B [REDACTED]	L 4	B RIDGE	STRNG ARM ROBB	0001 16	12/02/72
B [REDACTED]	E 1	5	BURGLARY	0001 80	12/14/72
B [REDACTED]	L 9	S	ARMED ROBBERY	0001 42	12/22/72
B [REDACTED]	M 1	4	ARMED ROBBERY	0001 02	12/04/72
B [REDACTED]	M 1	A	ARMED ROBBERY	0001 38	12/29/72
B [REDACTED]	1512 9	G	BURGLARY	0001 47	12/22/72
B [REDACTED]	J 7	H	BURGLARY	0001 15	12/10/72
B [REDACTED]	M 1	H	BURGLARY	0001 93	12/19/72
B [REDACTED]	M 1	T	BURGLARY	0001 54	12/26/72
B [REDACTED]	A 4	H	STRNG ARM ROBB	0001 85	12/23/72
B [REDACTED]	F 5	I	BURGLARY	0001 00	12/12/72
B [REDACTED]	L 3	M	BURGLARY	0001 26	12/17/72
B [REDACTED]	L 3	C	BURGLARY	0001 41	12/15/72
B [REDACTED]	E 3	P	ARMED ROBBERY	0001 72	12/28/72
B [REDACTED]	E 3	H	ATTPT BURGLARY	0001 54	12/20/72

INDEX NUMBER  
CF018-01



PROGRAMMING DOCUMENTATION

SECTION  
OFFENSE PROGRAMS

DATE ISSUED  
January 16, 1973

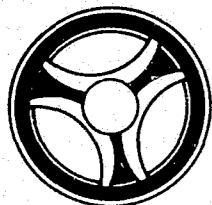
DATE REVISED

PROGRAM TITLE: MONTHLY VICTIM - OFFENDER OFFENSE LISTING

DATE OPERATIONAL: January 16, 1973

PURPOSE: To list various information on Victim, Suspect, and Offense in sequence by address of occurrence within each individual type of offense.

INDEX NUMBER  
CF019-01



PROGRAMMING DOCUMENTATION

SECTION

OFFENSE PROGRAMS

DATE ISSUED

January 16, 1973

DATE REVISED



PROGRAMMING DOCUMENTATION

SECTION

OFFENSE PROGRAMS

DATE ISSUED

January 16, 1973

DATE REVISED

I. PROGRAM NARRATIVE

This program reads the offense tape created by CFØ14 and extracts name information, address of occurrence information, suspect information and individual offense statistics and creates a monthly printout. The information is listed on the printout in sequence by the address within the Kansas City, Missouri city limits at which the offense occurred.

II. DETAILED DESCRIPTION

A control card is accepted containing the report date. The input tape file and the output printer are both opened and the Sort file is set up.

BLD-SORT reads the offense tape into a work area and checks the originating agency code to determine that this is a Kansas City, Missouri Police Department offense record. If it is not control returns to the beginning of this paragraph. The record is then checked to ascertain if it is a name type offense record and if not control is transferred to paragraph CK-REC2. Another field is checked to determine if this is a person's name record or a business name record. If it is a business name record control is transferred to a paragraph entitled BUS-NAME. If it is a person's name record pertinent data is moved to the Sort area.

BUS-NAME moves business name information to the Sort area.

MV-ADDR moves victim's address information to the Sort area.

CK-REC2 handles offense statistical records that are read. The four-digit offense code is transformed to an expanded version such as aggravated assault, homicide, robbery, etc. and moved to the Sort area.

MV-OFF transforms the three-digit property attack code to an expanded version such as manufacturing plant, commercial house, hotel, theatre, etc. and moves it to the Sort area. Pertinent information about the offender is also picked up and moved to the Sort area.

MORE-SUSP picks up any additional suspect information and moves it to the Sort area.

CK-REC3 processes the offense stolen property type record and picks up pertinent data to move to the Sort area.

ST-PR2, ST-PR3, ST-PR4, ST-PR5, ST-PR6. These five paragraphs combine to pick up stolen property information and move it to the Sort area.

CK-STPR transforms the three-digit stolen property code to an expanded version such as jewelry, men's watches, furs, etc. and moves this information to the Sort area.

CK-REC4, EXACT-LOCAT, MV-LOC-KEY. These three paragraphs combine to extract address information from either the actual address of occurrence or the intersection type address of occurrence and moves this information to the Sort area.

REL-3, REL-4, REL-5 combine to actually release the collected offense data to the Sort.

At this point in the program the records are sorted by address of occurrence within offense code.

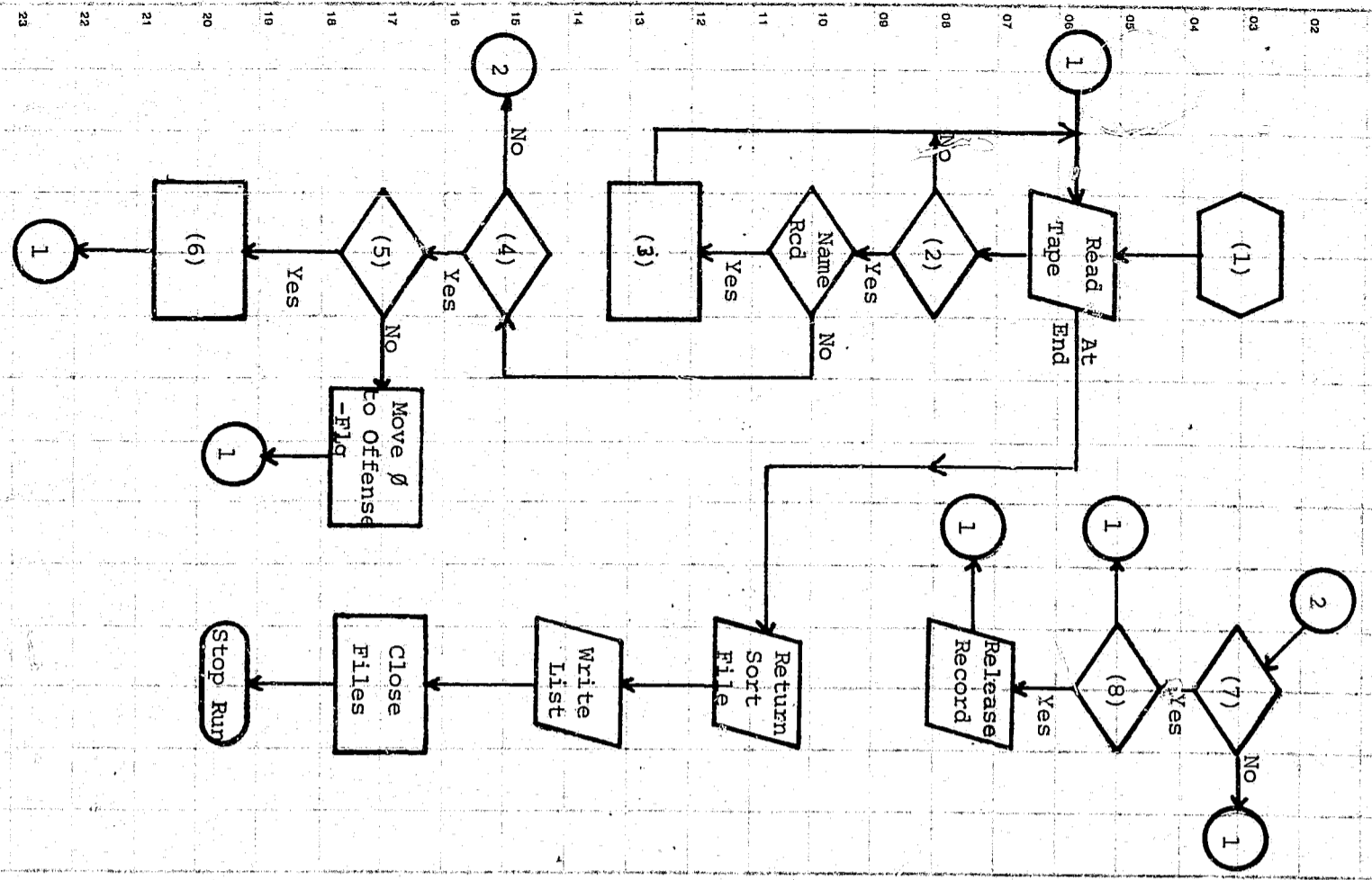
RET-SORT returns the sorted records that are already formatted correctly and prints them on the listing.

HDR-RTN causes all the necessary headings to be printed on the listing.

CLS-FLS is the ending paragraph which displays the number of tape records read and the number of tape records used upon the console. The files are closed and "normal end of job" is displayed upon the console.

INDEX NUMBER  
CFØ19-Ø2

INDEX NUMBER  
CFØ19-Ø3



(1) Housekeeping (Open Files etc.)

(2) Agency = 'MOKPD00'

(3) Move to Offense-Flg Save Data

(4) Statistical Record

(5) Is Offense A:

- a. Aggr. Assault
- b. Homicide
- c. Robbery
- d. Rape
- e. Burglary

(6) Move 1 to Offense-Flg Save Data

(7) Offense-Flg = 1

(8) Correct Record Type

NEW  REVISION—SHOW WHY IN COMMENTS

TITLE OF REPORT OR LISTING  
MONTHLY OFFENSE REPORT - CF019L1

PURPOSE OR FUNCTION IT SERVES  
THIS REPORT PROVIDES INFORMATION TO ADMINISTRATORS SUMMARIZING EACH PART I CRIME OCCURRING IN THE CITY FOR THE REPORTING MONTH.

ORIGINATES FROM (SHOW COMPUTER RUN AND/OR MAIN FILE FROM WHICH DATA IS DEVELOPED AND SPAN OF TIME COVERED OR AGE OF DATA)  
THIS INFORMATION IS EXTRACTED FROM THE MONTHLY OFFENSE TAPE - CF014T1.

NO. COPIES: \_\_\_\_\_ FREQUENCY ISSUED:  DAILY  WEEKLY  MONTHLY

DESIGN FORMAT APPROVED BY: \_\_\_\_\_ DATE: \_\_\_\_\_ RELEASE PERIOD: \_\_\_\_\_

DETAILED EXPLANATION OF DATA (WHEN PRINTED CAPTIONS ARE NOT SELF EXPLANATORY)

CF019L1 LISTS PERTINENT SUMMARIZED INFORMATION CONCERNING PART I CRIMES OCCURRING DURING THE REPORT PERIOD. EACH OFFENSE SHOWN ON THE LISTING IS COMPRISED OF THREE DATA LINES: THE FIRST LINE TELLS THE TYPE OF OFFENSE AND GIVES LOCATION AND VICTIM INFORMATION PER HEADINGS AT THE TOP OF THE PAGE. THE SECOND LINE FOLLOWS HORIZONTAL HEADINGS OF:

1. SUSPECT RACE
2. SUSPECT SEX
3. SUSPECT AGE
4. VICTIM'S ADDRESS

THE THIRD DATA LINE FOLLOWS HORIZONTAL HEADINGS OF:

1. HOW ATTACKED/ENTERED
2. PROPERTY ATTACKED/WHERE OCCURRED
3. MEANS/WEAPON

COPY DISTRIBUTION

SENT TO	RETENTION	DISPOSITION
1		
2 ORIGINATING AGENCY (3)		
3 FILE (1)		
4		
5		
6		

COMMENTS

INDEX NUMBER  
CF019-05

CONTINUE ON REVERSE SIDE

KANSAS CITY MISSOURI POLICE DEPARTMENT  
MONTHLY OFFENSE REPORT FOR JANUARY 1973

OFFENSE	LOCATION OF OFFENSE			DATE	DAY	TIME	VICTIM													
	NUM.	APT.	DI ST NAME				SUF	OCCURRED	OCC	LAST NAME	FIRST NAME	M	JS	R	S	DUB	AGE	CRN		
AGGRAVATED ASSAULT SUSPECT: RACE - N, SEX - M, AGE - 15 HOW ATTACKED/ENTERED: USE OF FORCE	4538		S LISTER	AV	01/15/72	MON	1800	G	[REDACTED]	Q	[REDACTED]	N	F	10/10/60	11	0	[REDACTED]	8		
									VICTIM'S ADDRESS - 4		[REDACTED]							KANS CITY	MO	
									PROP. ATTACKED/WHERE OCCURRED:		HWY, STREET OR ALLEY								MEANS/WEAPON: FIREARM	
AGGRAVATED ASSAULT SUSPECT: RACE - N, SEX - M, AGE - 25 HOW ATTACKED/ENTERED: PHYSICAL FORCE					09/01/72	FRI		M	[REDACTED]	K	[REDACTED]	N	M	01/07/68	04	0	[REDACTED]	2		
									VICTIM'S ADDRESS - 7		[REDACTED]								KANS CITY	MO
									PROP. ATTACKED/WHERE OCCURRED:		RES HOUSE/PREMISES								MEANS/WEAPON: PHYSICAL	
AGGRAVATED ASSAULT SUSPECT: RACE - W, SEX - M, AGE - 50 HOW ATTACKED/ENTERED: USE OF FORCE	4816		S FARLEY	RD	12/31/72	SUN	2300	G	[REDACTED]	P	[REDACTED]	W	F	07/04/55	17	0	[REDACTED]	8		
									VICTIM'S ADDRESS - 1		[REDACTED]								RAYTOWN	MO
									PROP. ATTACKED/WHERE OCCURRED:		RES HOUSE/PREMISES								MEANS/WEAPON: FIREARM	
AGGRAVATED ASSAULT SUSPECT: RACE - W, SEX - M, AGE - 50 HOW ATTACKED/ENTERED: USE OF FORCE	4816		S FARLEY	RD	12/31/72	SUN	2300	B	[REDACTED]	R	[REDACTED]	W	M	03/16/53	19	0	[REDACTED]	20		
									VICTIM'S ADDRESS - 5		[REDACTED]								RAYTOWN	MO
									PROP. ATTACKED/WHERE OCCURRED:		RES HOUSE/PREMISES								MEANS/WEAPON: FIREARM	
AGGRAVATED ASSAULT SUSPECT: RACE - , SEX - , AGE - HOW ATTACKED/ENTERED: USE OF FORCE	26		ST & S MADISON	AV	01/01/73	MON	2400	W	[REDACTED]	D	[REDACTED]	W	F	07/26/54	18	0	[REDACTED]	6		
									VICTIM'S ADDRESS - 2		[REDACTED]								KANS CITY	MO
									PROP. ATTACKED/WHERE OCCURRED:		PARKING LOT								MEANS/WEAPON:	
AGGRAVATED ASSAULT SUSPECT: RACE - N, SEX - M, AGE - 48 HOW ATTACKED/ENTERED: PHYSICAL FORCE	3802		S ASKEW	AV	01/01/73	MON	0900	H	[REDACTED]	C	[REDACTED]	N	F	09/14/23	49	0	[REDACTED]	4		
									VICTIM'S ADDRESS - 4		[REDACTED]								KANS CITY	MO
									PROP. ATTACKED/WHERE OCCURRED:		RES HOUSE/PREMISES								MEANS/WEAPON: FORCE	
AGGRAVATED ASSAULT SUSPECT: RACE - W, SEX - M, AGE - 18 HOW ATTACKED/ENTERED: USE OF FORCE	2461		S WALROND	AV	01/01/73	MON	2100	E	[REDACTED]	K	[REDACTED]	W	M	10/26/56	16	0	[REDACTED]	3		
									VICTIM'S ADDRESS - 2		[REDACTED]								KANS CITY	MO
									PROP. ATTACKED/WHERE OCCURRED:		RES HOUSE/PREMISES								MEANS/WEAPON: KNIFE	
AGGRAVATED ASSAULT SUSPECT: RACE - , SEX - , AGE - HOW ATTACKED/ENTERED: USE OF FORCE	523		W 12	ST	01/01/73	MON	0300	K	[REDACTED]	G	[REDACTED]	W	M	05/26/39	33	0	[REDACTED]	38		
									VICTIM'S ADDRESS - 5		[REDACTED]								KANS CITY	MO
									PROP. ATTACKED/WHERE OCCURRED:		HWY, STREET OR ALLEY								MEANS/WEAPON: KNIFE	
AGGRAVATED ASSAULT SUSPECT: RACE - N, SEX - M, AGE - HOW ATTACKED/ENTERED: PHYSICAL FORCE					01/02/73	TUE		M	[REDACTED]	K	[REDACTED]	N	M	00/00/69	04	0	[REDACTED]	39		
									VICTIM'S ADDRESS - 7		[REDACTED]								KANS CITY	MO
									PROP. ATTACKED/WHERE OCCURRED:		HWY, STREET OR ALLEY								MEANS/WEAPON:	
AGGRAVATED ASSAULT SUSPECT: RACE - W, SEX - M, AGE - 41 HOW ATTACKED/ENTERED: USE OF FORCE	217		E MISSOURI	AV	01/02/73	TUE	1600	G	[REDACTED]	F	[REDACTED]	W	M	12/12/28	44	0	[REDACTED]	41		
									VICTIM'S ADDRESS - 1		[REDACTED]								MO	
									PROP. ATTACKED/WHERE OCCURRED:										MEANS/WEAPON: KNIFE	
AGGRAVATED ASSAULT SUSPECT: RACE - W, SEX - M, AGE - 41 HOW ATTACKED/ENTERED: PUT IN FEAR/THREAT	217		E MISSOURI	AV	01/02/73	TUE	1600	D	[REDACTED]	M	[REDACTED]	W	F	04/06/30	42	0	[REDACTED]	44		
									VICTIM'S ADDRESS - 2		[REDACTED]								SVIL	KS
									PROP. ATTACKED/WHERE OCCURRED:										MEANS/WEAPON: KNIFE	
AGGRAVATED ASSAULT SUSPECT: RACE - W, SEX - M, AGE - 41 HOW ATTACKED/ENTERED: PUT IN FEAR/THREAT	217		E MISSOURI	AV	01/02/73	TUE	1600	W	[REDACTED]	M	[REDACTED]	W	M	11/27/48	24	0	[REDACTED]	45		
									VICTIM'S ADDRESS - 1		[REDACTED]								SHAWNEE	KS
									PROP. ATTACKED/WHERE OCCURRED:										MEANS/WEAPON: KNIFE	
AGGRAVATED ASSAULT	2903		S PROSPECT	AV	01/02/73	TUE	0200	W	[REDACTED]	J	[REDACTED]	N	M	05/30/28	44	0	[REDACTED]	2		

INDEX NUMBER  
CF019-96



PROGRAMMING DOCUMENTATION

SECTION  
OFFENSE PROGRAMS

DATE ISSUED  
January 16, 1973

DATE REVISED

PROGRAM TITLE: CREATE BACKUP TAPE  
DATE OPERATIONAL: January 16, 1973

PURPOSE: CF020 is an offense program that simply executes a "ditto" utility (tape to tape copy) for the sole purpose of backing up the year-to-date tape that is created by CF013.

INDEX NUMBER  
CF020-01



SECTION

OFFENSE PROGRAMS

PROGRAMMING DOCUMENTATION

DATE ISSUED

DATE REVISED

January 16, 1973

PROGRAM TITLE: MONTHLY OFFENSE STATISTICS

DATE OPERATIONAL: January 16, 1973

PURPOSE: CF021 produces a listing of counts pertaining to murder, rape, robbery, aggravated assault, and burglary that have occurred within the city limits of Kansas City, Missouri for a one-month period.

INDEX NUMBER  
CF021-01



PROGRAMMING DOCUMENTATION

SECTION	
OFFENSE PROGRAMS	
DATE ISSUED	DATE REVISED
January 16, 1973	

I. PROGRAM NARRATIVE

The input to CF021 is the monthly offense tape (CF014T1). The output is a count listing broken down to various categories such as race, sex, age of victim, race, sex, age of suspect, property attacked, weapon or means used, where occurred, etc. The minor breakdown counts are listed individually and totaled at the bottom of each page.

II. DETAILED DESCRIPTION

CHECK-DATE accepts a control card and edits the various fields contained therein. If any errors are found error messages are displayed upon the console and control is transferred to the end of job routine.

PROCESS-JOB opens the input tape and the output printer and moves spaces to various data lines and zeros to various counters. The current date is accepted from the computer and moved to a work area.

READ-TAPE causes the input tape to be read.

RCD-CKS determines if the record just read pertains to an offense committed within the city limits of Kansas City, Missouri.

CK-OFFCD determines if the record just read pertains to murder, rape, robbery, aggravated assault, or burglary and if so adds to the appropriate counters. If the offense encountered is other than the five just described control returns to the READ paragraph.

ADD-TO-CTS, ADD-D2C3 combine to add to the appropriate counter based upon the "motive" code encountered in the record.

CK-HOW, ADD-D1C2 combine to add to the appropriate counter based upon the "how attacked" code found in the record.

CK-WM, ADD-D1C3-WM combine to add to the appropriate counter based upon the "weapon or means used" code found in the record.

CK-PROP, ADD-D1C3-PROP, CK-PROP-D1C4, ADD-D1C4, CK-PROP-D2C1, ADD-D2C1-PROP. These six paragraphs combine to add to the various appropriate counters based upon the "property attacked/where occurred" code encountered in the record.

CK-VICTIM, CK-VRACE, CK-VAGE combine to add to the appropriate counters based upon the victim's race, sex, and age.





PROGRAMMING DOCUMENTATION

SECTION  
OFFENSE PROGRAMS

DATE ISSUED  
January 16, 1973

DATE REVISED

SYSTEM FLOW CHART

FLOWCHART

DESCRIPTION

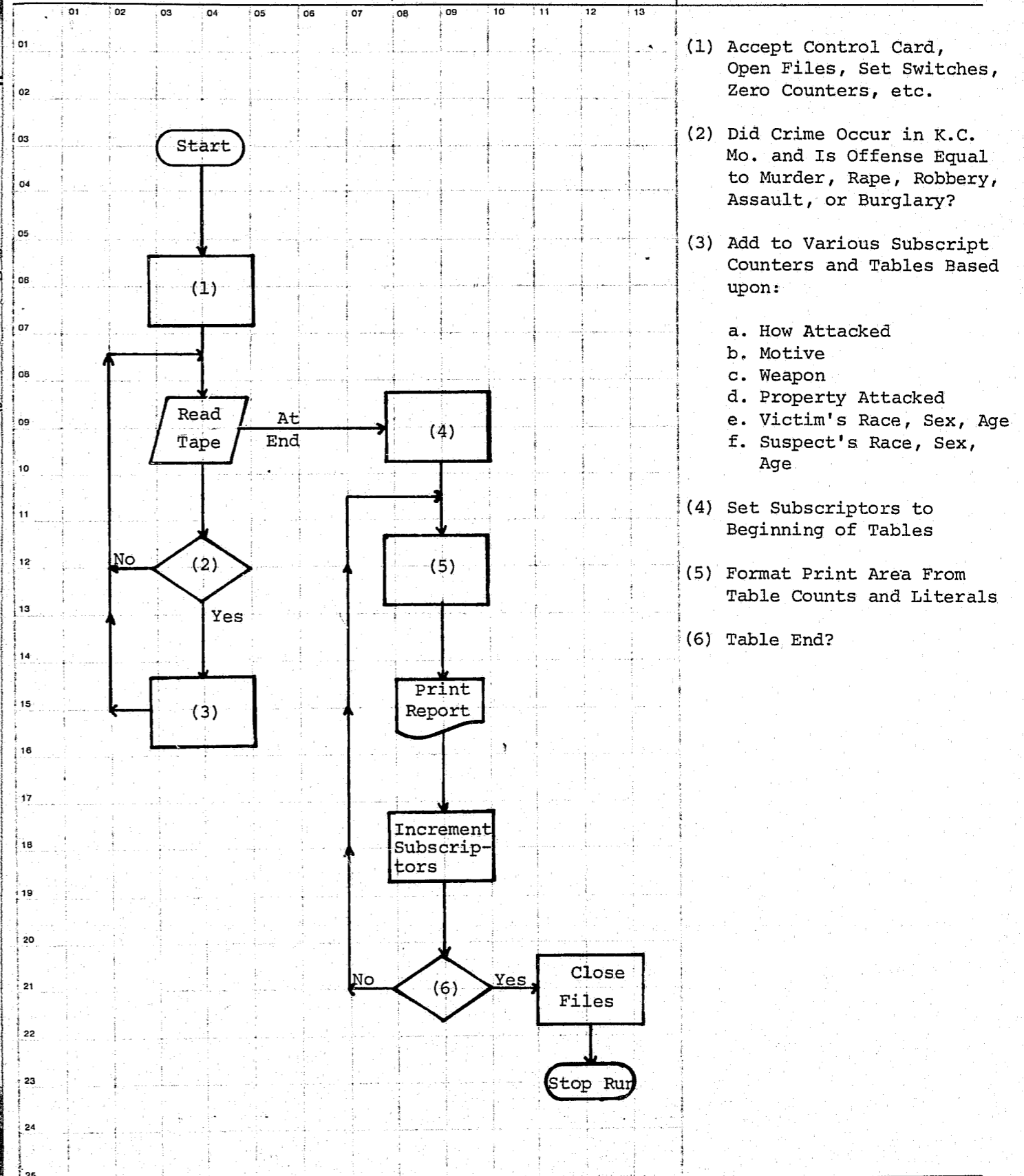
CK-SRACE, CK-SSEX, CK-SAGE combine to add to the appropriate counters based upon the suspect's race, sex, and age.

CK-STPROP, CK-PROP2, CK-PROP3, CK-PROP4, CK-PROP5, CK-PROP6, CK-PROP-CDS, ADD-D2C1-SPROP, CK-PROP-D2C2, ADD-D2C2, X-PROP-CDS. These paragraphs combine to increment the appropriate counters based upon the "type of property stolen code found within the record.

PRINT-COUNTS, OFF-LOOP, D1-LOOP, FIRST-D1C1, MOVE-D1C2, MOVE-D1C3, MOVE-D1C4, WRITE-D1, D2-LOOP, MOVE-D2C2, MOVE-D2C3, WRITE-D2. These paragraphs combine to extract the various counts from accumulated tables, match them to the appropriate literal, and cause the formatted information to be printed on the listing.

HEADER is a performed paragraph which causes the headings to be printed on the listing.

END-OF-JOB closes the input and output files and displays an end of job message upon the console.



- (1) Accept Control Card, Open Files, Set Switches, Zero Counters, etc.
- (2) Did Crime Occur in K.C. Mo. and Is Offense Equal to Murder, Rape, Robbery, Assault, or Burglary?
- (3) Add to Various Subscript Counters and Tables Based upon:
  - a. How Attacked
  - b. Motive
  - c. Weapon
  - d. Property Attacked
  - e. Victim's Race, Sex, Age
  - f. Suspect's Race, Sex, Age
- (4) Set Subscribers to Beginning of Tables
- (5) Format Print Area From Table Counts and Literals
- (6) Table End?

INDEX NUMBER  
CF021-03

System No.	System Title:	Revision Date:	Revised By:
Date Prepared:	Prepared By:	Approved By:	
Date Approved:	Approved By:		

INDEX NUMBER  
CF021-04

DESCRIPTION OF COMPUTER REPORT OR LISTING

DATE	ID NO.
------	--------

NEW       REVISION—SHOW WHY IN 'COMMENTS'

TITLE OF REPORT OR LISTING MONTHLY OFFENSE STATISTICS - CF021L1	
PURPOSE OR FUNCTION IT SERVES  THIS REPORT PROVIDES STATISTICAL INFORMATION IN DETAIL ON THE PART I CRIMES OF MURDER, RAPE, ROBBERY, AGGRAVATED ASSAULT AND BURGLARY.	
ORIGINATES FROM (SHOW COMPUTER RUN AND/OR MAIN FILE FROM WHICH DATA IS DEVELOPED AND SPAN OF TIME COVERED OR AGE OF DATA)  THIS INFORMATION IS EXTRACTED FROM THE MONTHLY OFFENSE TAPE - CF014T1.	
NO. COPIES	FREQUENCY ISSUED <input type="checkbox"/> DAILY <input type="checkbox"/> WEEKLY <input checked="" type="checkbox"/> MONTHLY <input type="checkbox"/>
DESIGN FORMAT APPROVED BY	DATE      RELEASE PERIOD

DETAILED EXPLANATION OF DATA (WHEN PRINTED CAPTIONS ARE NOT SELF EXPLANATORY)

CF021L1 CONSISTS OF A TWO-PAGE STATISTICAL BREAKDOWN OF PERTINENT FACTORS REGARDING EACH OF THE PART I CRIMES OF MURDER, RAPE, ROBBERY, AGGRAVATED ASSAULT AND BURGLARY. HEADINGS ARE SELF-EXPLANATORY.

CONTINUE ON REVERSE SIDE

COPY DISTRIBUTION

SENT TO	RETENTION	DISPOSITION
1		
2 ORIGINATING AGENCY (3)		
3 FILE (1)		
4		
5		
6		

COMMENTS

INDEX NUMBER  
CF021-05

KANSAS CITY MISSOURI POLICE DEPARTMENT  
MONTHLY OFFENSE STATISTICS FOR JANUARY 1973

ROBBERY TOTAL = 182

WHERE OCC/PROP ATTACKED (CONT)	TYPE OF PROPERTY STOLEN (CONT)	MOTIVE
OTHER PROPERTY	LOCALLY STOLEN AUTOS	SECURITY
CONSTRUCTION COMPANY 0	PASSENGER CAR 6	SELF DEFENSE 0
CLEANING SHOP/LAUNDRY 6	TRUCK (TRACTOR/TRAILER 0	PROTECT FAMILY/HOME ETC. 0
WHOLESALE HOUSE/DOCK 0	TRAILER ONLY 0	NEED OF OBJECT STOLEN 0
TRK FREIGHT TERMINAL 0	TAXICAB 0	NEED OF MONEY 0
LIVESTOCK 0	BUS 0	SEX
PUBLIC BLDG/GROUND 0	MOTORCYCLE/SCOOTER 0	FAMILY/DOMESTIC TROUBLE 0
JAIL 0	OTHER MOTOR VEHICLE 0	SEXUAL INTERCOURSE 0
RAILROAD STATION 0	MISC/OTHER PROPERTY	SEXUAL PERVERSION 0
BUS STATION 1	BICYCLES 1	SEX JEALOUSY 0
AIRPORT 0	DOMESTIC ANIMALS 0	PHYSICAL COMFORT
OTHER CONVEY STATION 0	CAMERAS 0	GREED/SELFISHNESS 0
SCHOOL YARD 0	DOCTORS EQUIPMENT 0	WANT OF OBJECT STOLEN 0
SPORTS STADIUM 0	FIREARMS/GUNS 1	PROFIT/FINANCIAL GAIN 0
PARK 0	DYNAMITE/EXPLOSIVES 0	AMUSEMENT 0
CHURCH 0	HOUSE FURNISHINGS 0	SOCIAL PRESTIGE
SCHOOL 1	OFFICE EQUIPMENT 1	SELF-ADVANCEMENT 0
HOSPITAL 0	RADIOS/TV/STEREOS 10	FAMILY PRESTIGE 0
NURSING HOME 0	BLOG EQUIPMENT 0	SOCIAL JEALOUSY 0
OTHER PUBLIC PLACE 0	SPORTS EQUIP/MUSICAL 0	ARGUMENT/FIGHT 0
	TOOLS 0	GRIEVANCE 0
	LAWN MOWER 0	LABOR TROUBLE 0
TYPE OF PROPERTY STOLEN	AUTO PARTS/ACCESSORIES 1	FEAR OF DISGRACE 0
CURRENCY/NOTES ETC.	LICENSE PLATES ONLY 0	DELUSION 0
CASH/MONEY/LEGAL TENDER 131	STOCK IN TRADE 5	SUICIDE
CHECK/DRAFT/MONEY ORDER 2	COIN OP. MACHINES 0	FINANCIAL TROUBLE 0
OTHER 0	LIQUOR/CIGARETTES 2	MENTAL 0
JEWELRY/PRECIOUS METALS	FOOD 9	THWARTED LOVE 0
MENS WATCHES 7	ALL OTHER 58	ILL HEALTH 0
LADIES WATCHES 2		MARITAL TROUBLE 0
OTHER 0		ALL OTHER 0
FURS		GANG WARFARE 0
MENS FUR COATS 0		NOT READILY CLASSIFIED 0
LADIES FUR COATS 0		
OTHER FURS 0		
CLOTHING		
MENS SUITS 0		
LADIES SUITS 0		
MENS OVERCOATS 6		
LADIES OVERCOATS 2		
MENS CLOTHING 2		
LADIES CLOTHING 0		
OTHER CLOTHING 2		

INDEX NUMBER  
CF021-06

KANSAS CITY MISSOURI POLICE DEPARTMENT  
MONTHLY OFFENSE STATISTICS FOR JANUARY 1973

ROBBERY TOTAL = 182

VICTIM SEX		HOW ATTACKED/ENTERED		WEAPON/MEANS		WHERE OCC/PROP ATTACKED (CONT)	
MALE	71	USE OF FORCE/THREAT		FORCE OR THREAT		SPORTING GOODS	0
FEMALE	44	PHYSICAL FORCE	53	PHYSICAL	17	APPLIANCE STORE	0
N/S	67	PUT IN FEAR	56	STRONGARM	26	RESTAURANT	2
		STEALTH	0	BREAKING	0	DRIVE-IN	3
		SUBTRFUGE/TRICK	0	NO FORCE NEEDED	0	CAFE/SALOON/TAVERN	4
		TAKING AWAY	0	UNLOCKED		JEWELRY STORE	0
		SNATCHING	0	IGNITION LOCKED	0	CAR DLR/USED CAR LOT	0
		DRIVING AWAY	0	KEY IN	0	PAWN SHOP	0
		NEGLIGENCE	0	OPEN SWITCH	0	OTHER STORE	3
		OTHER FORCE	72	SECRETED INSIDE	0	RESIDENCE	
		DOOR (WAS ENTERED)		FIREARM	111	RESIDENCE HOUSE	12
		BSMT FRONT DR	0	SHARP WEAPON/INSTRUMENT		ROOMING HOUSE	0
		BSMT REAR DR	0	KNIFE	9	APARTMENT HOUSE	12
		BSMT SIDE DR	0	OTHER	1	TRAILER HOUSE	0
		1ST FL FRONT DR	1	BLUNT/HARD INSTRUMENT		BANK/FINANCIAL INST.	
		1ST FL REAR DR	0	ROCK/BRICK	0	BANK	0
		1ST FL SIDE DR	0	BLACKJACK/CLUB	0	BUILDING & LOAN	0
		2ND FL FRONT DR	0	OTHER	0	FINANCE OFFICE	3
		2ND FL REAR DR	0	JIMMY/PRY TOOL	0	INSURANCE COMPANY	0
		2ND FL SIDE DR	0	POSITION/CHEM/DRUG/EXPL	0	OTHER	0
		TRANSOM (WAS ENTERED)		AUTO	0	OFFICE	
		1ST FL FRONT TRAN	0	OTHER	17	DOCTORS OFFICE	0
		1ST FL REAR TRAN	0	WHERE OCCURRED/PROP ATTACKED		DENTISTS OFFICE	0
		1ST FL SIDE TRAN	0	MFG PLANT	0	LAWYERS OFFICE	0
		2ND FL FRONT TRAN	0	HWY/STREET/ALLEY	70	BUSINESS OFFICE	0
		2ND FL REAR TRAN	0	YARD/DRIVEWAY	4	OTHER OFFICE	0
		2ND FL SIDE TRAN	0	COMMERCIAL HOUSE		CONVEYANCE	
		WINDOW (WAS ENTERED)		HOTEL	2	PASSENGER CAR	1
		BSMT FRONT WDW	0	THEATER	1	TRUCK	0
		BSMT REAR WDW	0	MOTEL	1	TRAILER	0
		BSMT SIDE WDW	0	OIL & GAS STATION		TAXICAB	6
		1ST FL WDW	0	INDEPENDENT	1	BUS	0
		1ST FL REAR WDW	0	CHAIN OPERATED	19	MOTORCYCLE/SCOOTER	0
		2ND FL FRONT WDW	0	GARAGE	1	OTHER MOTOR VEHICLE	0
		2ND FL REAR WDW	0	PARKING LOT	9	AIRPLANE	0
		2ND FL SIDE WDW	0	STORE		RAILROAD	0
		OTHER ENTRY		INDEP GROCERY	2	RR PASSENGER CAR	0
		TUNNELING	0	CHAIN GROCERY	8	RR BAGGAGE CAR	0
		THROUGH ROOF	0	INDEP DRUG	3	RR FREIGHT CAR	0
		VENTILATOR	0	CHAIN DRUG	0	OTHER RAILROAD	0
		DOORS LOCKED		INDEP 5 & 10	0	WATER	0
		YES	0	CHAIN 5 & 10	0	PASSENGER BOAT	0
		NO	0	DEPARTMENT STORE	1	FREIGHT BOAT	0
		UNKNOWN	0	HARDWARE STORE	0	OTHER WATER CONVEY	0
		OTHER ATTACK	0	FUR SHOP	0	OTHER CONVEYANCE	0
				AUTO SUPPLY	0		
				CLOTHING STORE	2		

RACE	VICT	SUSP
WHI	70	54
NEG	45	124
IND	0	0
CHI	0	0
JAP	0	0
OTH	0	0
UNK	67	4

INDEX NUMBER  
CF021-07



PROGRAMMING DOCUMENTATION

SECTION  
OFFENSE PROGRAMS

DATE ISSUED  
January 16, 1973

DATE REVISED

PROGRAM TITLE: CREATE WEEKLY OFFENSE TAPE  
DATE OPERATIONAL: January 16, 1973

PURPOSE: CF031 creates the weekly tape that is to be used as input to all offense reporting programs that report on weekly offense statistics. This program actually consists of only job control cards which execute the program CF014. The only difference between CF031 and CF014 is that during the execution of CF031 the date card that is accepted by the program is for a one-week period only. For further information on this program see the program narrative and the detailed description of CF014.

INDEX NUMBER  
CF031-01



PROGRAMMING DOCUMENTATION

SECTION

OFFENSE PROGRAMS

DATE ISSUED

January 16, 1973

DATE REVISED

PROGRAM TITLE: PART I OFFENSES BY BEAT

DATE OPERATIONAL: January 16, 1973

PURPOSE: This program produces a listing of Part I offenses broken down by beat within the three major patrol divisions of the Kansas City, Missouri Police Department. This program is executed weekly. The program is duplicated as CFØ16 when run on a monthly basis. For complete detailed information see the program narrative and detailed description of program CFØ16.

INDEX NUMBER  
CFØ32-Ø1



SECTION

OFFENSE PROGRAMS

PROGRAMMING DOCUMENTATION

DATE ISSUED

January 16, 1973

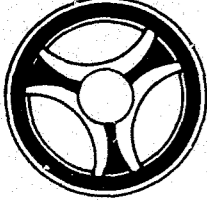
DATE REVISED

PROGRAM TITLE: REPORT OF OFFENSES CLEARED

DATE OPERATIONAL: January 16, 1973

PURPOSE: To provide a listing of all Part I crimes that have been cleared.

INDEX NUMBER  
CF060-01



PROGRAMMING DOCUMENTATION

SECTION

OFFENSE PROGRAMS

DATE ISSUED

January 16, 1973

DATE REVISED



PROGRAMMING DOCUMENTATION

SECTION

OFFENSE PROGRAMS

DATE ISSUED

January 16, 1973

DATE REVISED

I. PROGRAM NARRATIVE

Input to this program is the year to date offense tape (CF013T1). Output is a listing of cleared Part I offenses broken down as follows:

- A. Homicide
- B. Rape
- C. Robbery
- D. Aggravated Assault
- E. Burglary
- F. Larceny
- G. Auto Theft
- H. Other Assaults

The method of clearance is also indicated and is divided into the following categories:

- A. Unfounded
- B. Suicide
- C. Double murder
- D. Death bed confession
- E. Offender dead
- F. Cleared by arrest
- G. Exceptional clearance

II. DETAILED DESCRIPTION

Input and output files are opened and a control card is accepted containing the span of time in months for which this listing is to be run.

INDEX NUMBER  
CF060-02

SORT-RECS initiates the Sort file and transfers control to the following paragraph.

SORT-RECORDS reads the year-to-date offense tape and extracts only those offense statistical records containing the Kansas City, Missouri Police Department originating agency code. This paragraph also expands the one-digit "how cleared" code to a meaningful literal such as unfounded, suicide, offender dead, etc. and moves this information to a data line.

IST expands a two-digit offense code to a more meaningful literal such as homicide, rape, robbery, etc. and moves this information to the data line.

MV-RECS moves other offense statistical information from each chosen record to the data line and releases the entire data line to the Sort.

At this point in the program the records are sorted by case report number within offense code.

WRITE-REPORT, HDR-RTN combine to format the headers and print them on the listing.

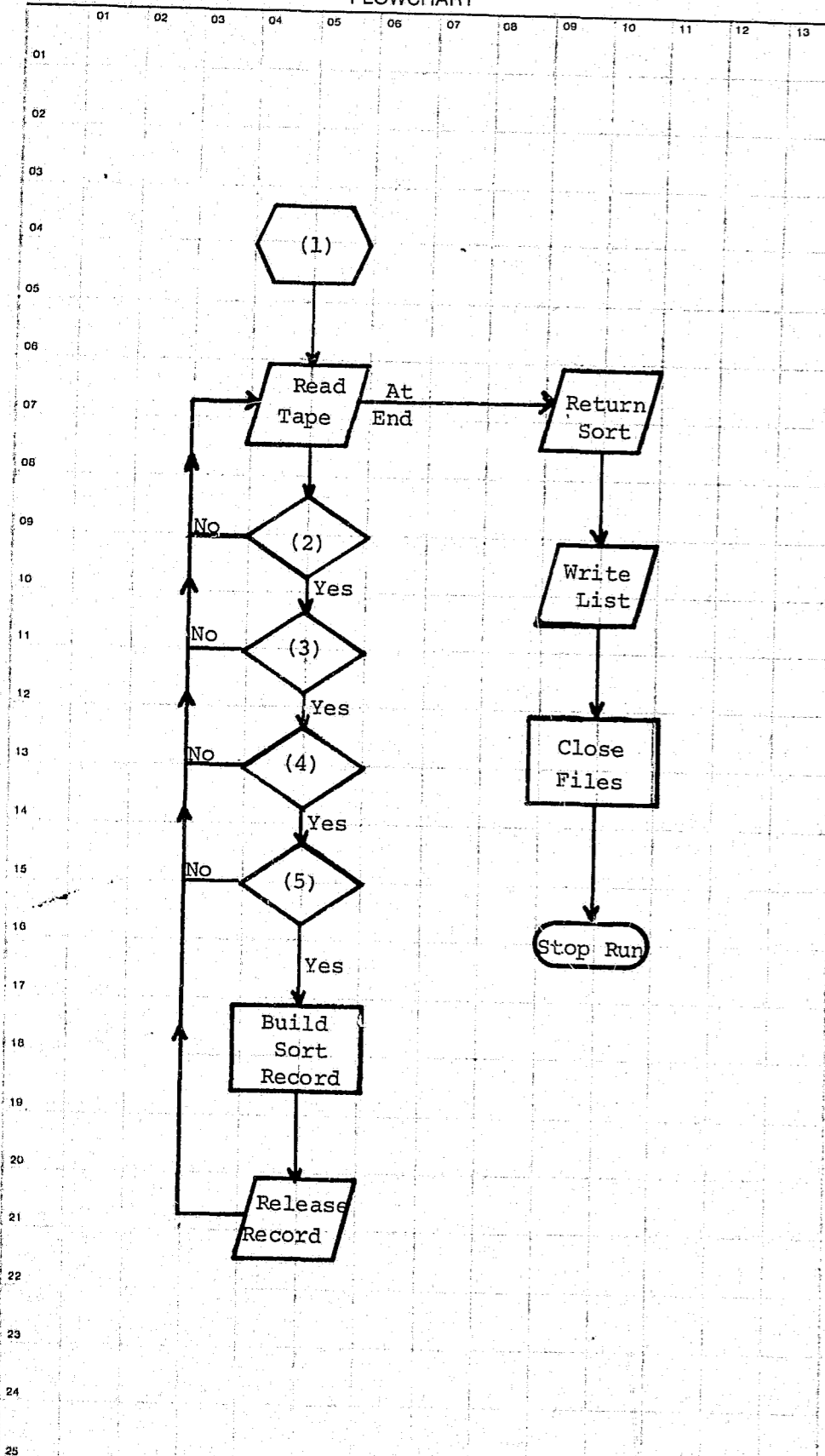
RETN-RECS return the sorted records, move them to the print line, and print them in their sorted sequence.

OUT-EXIT causes the input and output files to be closed and a normal end-of-job message to be displayed upon the console.

INDEX NUMBER  
CF060-03

FLOWCHART

DESCRIPTION



- (1) Housekeeping (Open Files etc.)
- (2) Agency = 'MOKPD00'
- (3) Correct Record Type
- (4) Is How Clear A:
  - a. Suicide
  - b. Double Murder
  - c. Deathbed Confession
  - d. Offender Dead
  - e. Cleared by Arrest
  - f. Except Clearance
  - g. Unfounded
- (5) Is Offense A:
  - a. Homicide
  - b. Rape
  - c. Robbery
  - d. Aggr. Assault
  - e. Burglary
  - f. Larceny
  - g. Auto Theft
  - h. Other Assault

DETAILED EXPLANATION OF DATA (WHEN PRINTED CAPTIONS ARE NOT SELF EXPLANATORY)

CF060L1 DISPLAYS IN COMPLAINT NUMBER SEQUENCE THE CLEARANCE DISPOSITION ON ALL PART I OFFENSES BETWEEN USER SPECIFIED DATES. REPORT HEADINGS ARE SELF-EXPLANATORY.

CONTINUE ON REVERSE SIDE

NEW  REVISION - SHOW WHY IN COMMENTS

TITLE OF REPORT OR LISTING REPORT OF OFFENSES CLEARED - CF060L1		NO. COPIES FREQUENCY ISSUED <input type="checkbox"/> DAILY <input type="checkbox"/> WEEKLY <input type="checkbox"/> MONTHLY <input checked="" type="checkbox"/> AS REQUESTED	
PURPOSE OR FUNCTION IT SERVES THIS REPORT ADDRESSES THE INFORMATION NEEDS OF THE POLICE ADMINISTRATION CONCERNING OFFENSES CLEARED.		DESIGN FORMAT APPROVED BY DATE	
ORIGINATES FROM (SHOW COMPUTER RUN AND/OR MAIN FILE FROM WHICH DATA IS DEVELOPED AND SPAN OF TIME COVERED OR AGE OF DATA)		THIS INFORMATION IS EXTRACTED FROM THE YEAR-TO-DATE OFFENSE TAPE - CF013T1.	
COPY DISTRIBUTION SENT TO 1 AS REQUESTED 2 FILE (1) 3 4 5 6		RETENTION DISPOSITION	
COMMENTS		INDEX NUMBER CF060-05	

System No.	System Title:	Revision Date:	Revised By:
Date Prepared:	Prepared By:		
Date Approved:	Approved By:		

INDEX NUMBER  
CF060-04

KANSAS CITY MO. POLICE DEPT.  
 RESTRICTED INFORMATION - FOR INTERNAL USE ONLY  
 REPORT OF OFFENSES CLEARED  
 JANUARY THRU JUNE, 1972

COMPLAINT NUMBER	OFFENSE	DATE OCCURRED	HOW CLEARED
C177	BURGLARY	01/10/72	CLEARED BY ARREST
C176	BURGLARY	01/13/72	CLEARED BY ARREST
C178	BURGLARY	01/13/72	CLEARED BY ARREST
C179	BURGLARY	01/13/72	CLEARED BY ARREST
C173	BURGLARY	01/13/72	CLEARED BY ARREST
C179	BURGLARY	01/14/72	CLEARED BY ARREST
C177	BURGLARY	01/14/72	CLEARED BY ARREST
C170	BURGLARY	01/14/72	CLEARED BY ARREST
C171	BURGLARY	01/15/72	CLEARED BY ARREST
C170	BURGLARY	01/16/72	CLEARED BY ARREST
C171	BURGLARY	01/16/72	CLEARED BY ARREST
C170	BURGLARY	01/16/72	CLEARED BY ARREST
C175	BURGLARY	01/14/72	CLEARED BY ARREST
C177	BURGLARY	01/17/72	CLEARED BY ARREST
C174	BURGLARY	01/16/72	CLEARED BY ARREST
C175	BURGLARY	01/14/72	CLEARED BY ARREST
C172	BURGLARY	01/15/72	CLEARED BY ARREST
C179	BURGLARY	01/17/72	CLEARED BY ARREST
C174	BURGLARY	01/17/72	CLEARED BY ARREST
C172	BURGLARY	01/17/72	CLEARED BY ARREST
C178	BURGLARY	01/17/72	CLEARED BY ARREST
C173	BURGLARY	01/17/72	UNFOUNDED
C172	BURGLARY	01/18/72	CLEARED BY ARREST
C178	BURGLARY	01/17/72	CLEARED BY ARREST
C171	BURGLARY	01/18/71	CLEARED BY ARREST
C177	BURGLARY	01/18/72	CLEARED BY ARREST
C172	BURGLARY	01/18/72	CLEARED BY ARREST
C175	BURGLARY	01/15/72	CLEARED BY ARREST
C175	BURGLARY	01/18/72	EXCEPT. CLEARANCE
C179	BURGLARY	01/18/72	EXCEPT. CLEARANCE
C174	BURGLARY	01/18/72	CLEARED BY ARREST
C177	BURGLARY	01/17/72	CLEARED BY ARREST
C171	BURGLARY	01/18/72	CLEARED BY ARREST
C175	BURGLARY	01/19/72	CLEARED BY ARREST
C171	BURGLARY	01/18/72	CLEARED BY ARREST
C173	BURGLARY	01/18/72	EXCEPT. CLEARANCE
C173	BURGLARY	01/19/72	EXCEPT. CLEARANCE
C170	BURGLARY	01/19/72	CLEARED BY ARREST
C171	BURGLARY	01/19/72	CLEARED BY ARREST
C176	BURGLARY	01/19/72	CLEARED BY ARREST
C173	BURGLARY	01/20/72	CLEARED BY ARREST
C173	BURGLARY	01/19/72	CLEARED BY ARREST
C174	BURGLARY	01/19/72	CLEARED BY ARREST
C178	BURGLARY	01/19/72	CLEARED BY ARREST
C175	BURGLARY	01/19/72	CLEARED BY ARREST
C174	BURGLARY	01/20/72	EXCEPT. CLEARANCE
C177	BURGLARY	01/20/72	CLEARED BY ARREST
C174	BURGLARY	01/17/72	CLEARED BY ARREST

INDEX NUMBER  
 CF060-06

**END**